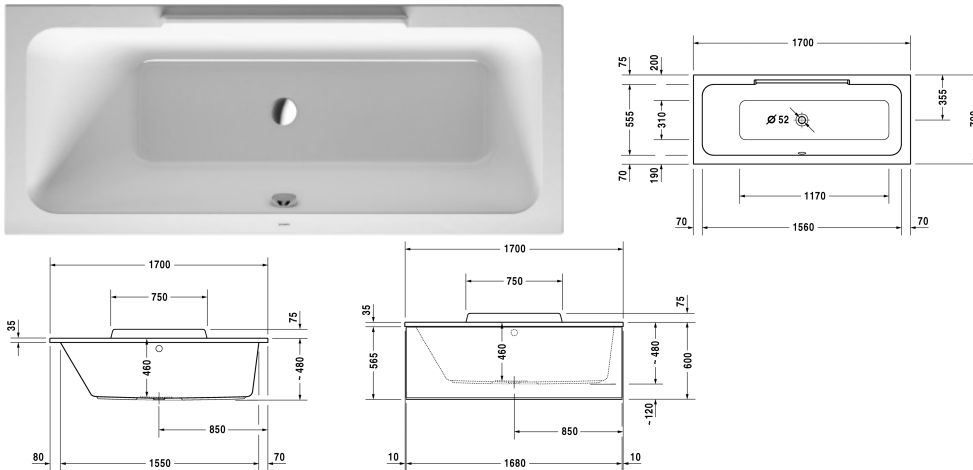


**Bathtub with support feet (for standard installation) # 70030200000000**

| < 1700 mm > |



Bathtub with support feet (for standard installation)	Dimension	Weight	Order number
rectangle, built-in or for panel, with one backrest slope left, 5 mm sanitary acrylic			
<b>Colors</b>			
00 White Alpin			
<b>Variant</b>			
Basic model	1700 x 700 mm	31,000 kg	70030200000000
<b>Suitable panels</b>			
Furniture panel for corner left, for # 700302 (1700 x 700 mm), for # 700303 (1700 x 700 mm), for # 7X0294 (1700 x 700 mm), for # 7X0295 (1700 x 700 mm)	1690 x 690 mm		DS8786
Furniture panel for corner right, for # 700302 (1700 x 700 mm), for # 700303 (1700 x 700 mm), for # 7X0294 (1700 x 700 mm), for # 7X0295 (1700 x 700 mm)	1690 x 690 mm		DS8781
Furniture panel for back-to-wall version, for # 700302 (1700 x 700 mm), for # 700303 (1700 x 700 mm), for # 7X0294 (1700 x 700 mm), for # 7X0295 (1700 x 700 mm)	1690 x 690 mm		DS8776
Furniture panel for niche, for # 700302 (1700 x 700 mm), for # 700303 (1700 x 700 mm), for # 700304 (1700 x 750 mm), for # 700305 (1700 x 750 mm), for # 7X0294 (1700 x 700 mm), for # 7X0295 (1700 x 700 mm), for # 7X0296 (1700 x 750 mm), for # 7X0297 (1700 x 750 mm)	1690 mm		DS8938
<b>Suitable setting</b>			
LED coloured light with remote control for bathtubs, (white - 00, chrome -10)			790840
<b>Suitable products</b>			

**Bathtub with support feet (for standard installation) #**  
**70030200000000**

|< 1700 mm >|

Bathtub anchors for mounting and support of bathtubs and shower trays, 3 pieces,	790103
Rubber profile for noise reduction, length: 3300 mm,	790104
Waste and overflow Quadroval chrome, for bathtubs with central outlet, outlet diameter 52 mm, length of bowden cable 650 mm,	790289
Waste and overflow Quadroval with water inlet, chrome, *, for bathtubs with central outlet, outlet diameter 52 mm, length of bowden cable 650 mm,	790290
Noise reduction set for acrylic bathtubs ***, Contents: noise protection bathtub anchors, bitumen pads, rubber profile # 790104,	791368

*All drawings contain the necessary measurements which are subject to standard tolerances. Exact measurements, in particular for customised installation scenarios, can only be taken from the finished ceramic piece.*