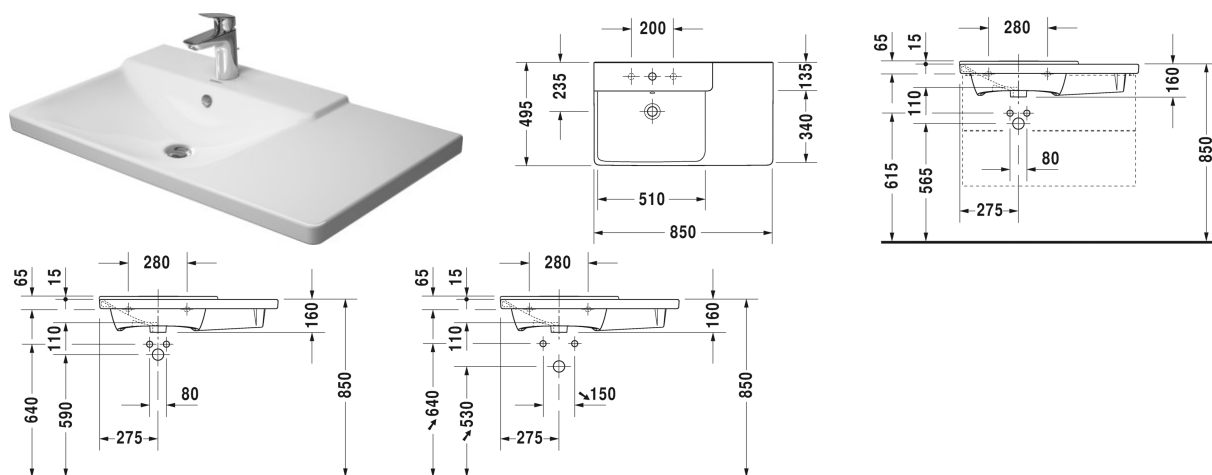


**Furniture washbasin asymmetric # 2333850000 / 2333850030**

| &lt; 850 mm &gt; |



| Furniture washbasin asymmetric                                                                                                                                                                                       | Dimension    | Weight    | Order number |
|----------------------------------------------------------------------------------------------------------------------------------------------------------------------------------------------------------------------|--------------|-----------|--------------|
| with overflow, with tap platform, overflow clip chrome included, 850 mm                                                                                                                                              |              |           |              |
| <b>Colors</b>                                                                                                                                                                                                        |              |           |              |
| 00 White Alpin                                                                                                                                                                                                       |              |           |              |
| <b>Variant</b>                                                                                                                                                                                                       |              |           |              |
| ●                                                                                                                                                                                                                    | 850 x 495 mm | 25,400 kg | 2333850000   |
| ● ● ●                                                                                                                                                                                                                | 850 x 495 mm | 25,400 kg | 2333850030   |
| Sanitary ceramics with the special WonderGliss surface finish will remain clean and attractive-looking for a long time to come.<br>When ordering WonderGliss please add a "1" as eleventh digit to the model number. |              |           |              |
| <b>Accessory</b>                                                                                                                                                                                                     |              |           |              |
| Space saving waste                                                                                                                                                                                                   | 1 1/4" mm    | 0,400 kg  | 005073       |
| <b>Suitable products</b>                                                                                                                                                                                             |              |           |              |
| Vanity unit wall-mounted 1 pull-out compartment, for P3 Comforts # 233285, 233385, 233485, 820 x 481 mm                                                                                                              | 820 x 481 mm |           | LC6147       |
| Vanity unit wall-mounted 2 drawers, upper drawer including cut-out for siphon and siphon cover, for P3 Comforts # 233385 basin left, 820 x 481 mm                                                                    | 820 x 481 mm |           | LC6248       |
| Vanity unit floor-standing 2 pull-out compartments, for P3 Comforts # 233285, 233385, 233485, 820 x 481 mm                                                                                                           | 820 x 481 mm |           | LC6601       |
| Vanity unit floor-standing 2 pull-out compartments, Plinth panel with integrated plinth leg (adjustable), for P3 Comforts # 233285, 233385, 233485, 820 x 481 mm                                                     | 820 x 481 mm |           | LC6613       |

Furniture washbasin asymmetric # 2333850000 / 2333850030

|< 850 mm >|

---

*All drawings contain the necessary measurements which are subject to standard tolerances. Exact measurements, in particular for customised installation scenarios, can only be taken from the finished ceramic piece.*