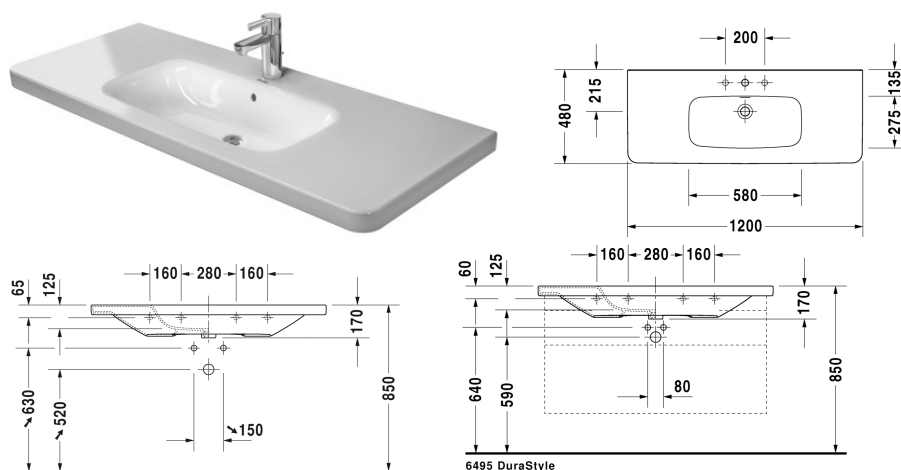


Washbasin, furniture washbasin # 2320120000 / 2320120030 / 2320120041 / 2320120044 / 2320120060

| < 1200 mm > |



Washbasin, furniture washbasin	Dimension	Weight	Order number
with tap platform, 1200 mm			
Colors			
00 White Alpin			
Variant			
● with overflow	1200 x 480 mm	33,200 kg	2320120000
●●● with overflow	1200 x 480 mm	33,200 kg	2320120030
● without overflow	1200 x 480 mm	33,200 kg	2320120041
●●● without overflow	1200 x 480 mm	33,200 kg	2320120044
☒ with overflow	1200 x 480 mm	33,200 kg	2320120060
Accessory			
Siphon for washbasin with outlet pipe 300 mm	1 1/4" mm	0,600 kg	005026
Continuous flow waste	80 mm	0,400 kg	005038
Suitable products			
Semi pedestal for # 231955, 231960, 231965, 232012, 232010, 232080, 232065, 232610, 232680, 232510, 232580, 233813,			085830
Pedestal for # 231955, 231960, 231965, 232012, 232010, 232080, 232065, 232610, 232680, 232510, 232580, 233813,			085829
Vanity unit wall-mounted 2 drawers, upper drawer including cut-out for siphon and siphon cover, for DuraStyle # 232012, 1130 x 448 mm	1130 x 448 mm		DS6495
Shelf wall-mounted included console support # UV 9926, for DuraStyle # 232012, 1130 x 448 mm	1130 x 448 mm		DS6183

**Washbasin, furniture washbasin # 2320120000 / 2320120030 /
2320120041 / 2320120044 / 2320120060**

|< 1200 mm >|

Low cabinet 1 pull-out compartment, for DuraStyle # 232012, 1130 x 448 mm	1130 x 448 mm	DS6283
Washbasin trim for DuraStyle # 232012, 1130 x 448 mm	1130 x 448 mm	DS6083
Vanity unit wall-mounted 1 pull-out compartment, pull-out compartment including cut-out for siphon and siphon cover, for DuraStyle # 232012, 1130 x 448 mm	1130 x 448 mm	DS6395
Furniture - ACC shelf wallmounted for DuraStyle # 232012, 1140 x 440 mm	1140 x 440 mm	DS9874
Furniture - ACC towel rail for DuraStyle # 232012, 1140 x 440 mm	1140 x 440 mm	DS9894
Furniture - ACC towel rail with included shelf for DuraStyle # 232012, 1140 x 440 mm	1140 x 440 mm	DS9884

All drawings contain the necessary measurements which are subject to standard tolerances. Exact measurements, in particular for customised installation scenarios, can only be taken from the finished ceramic piece.