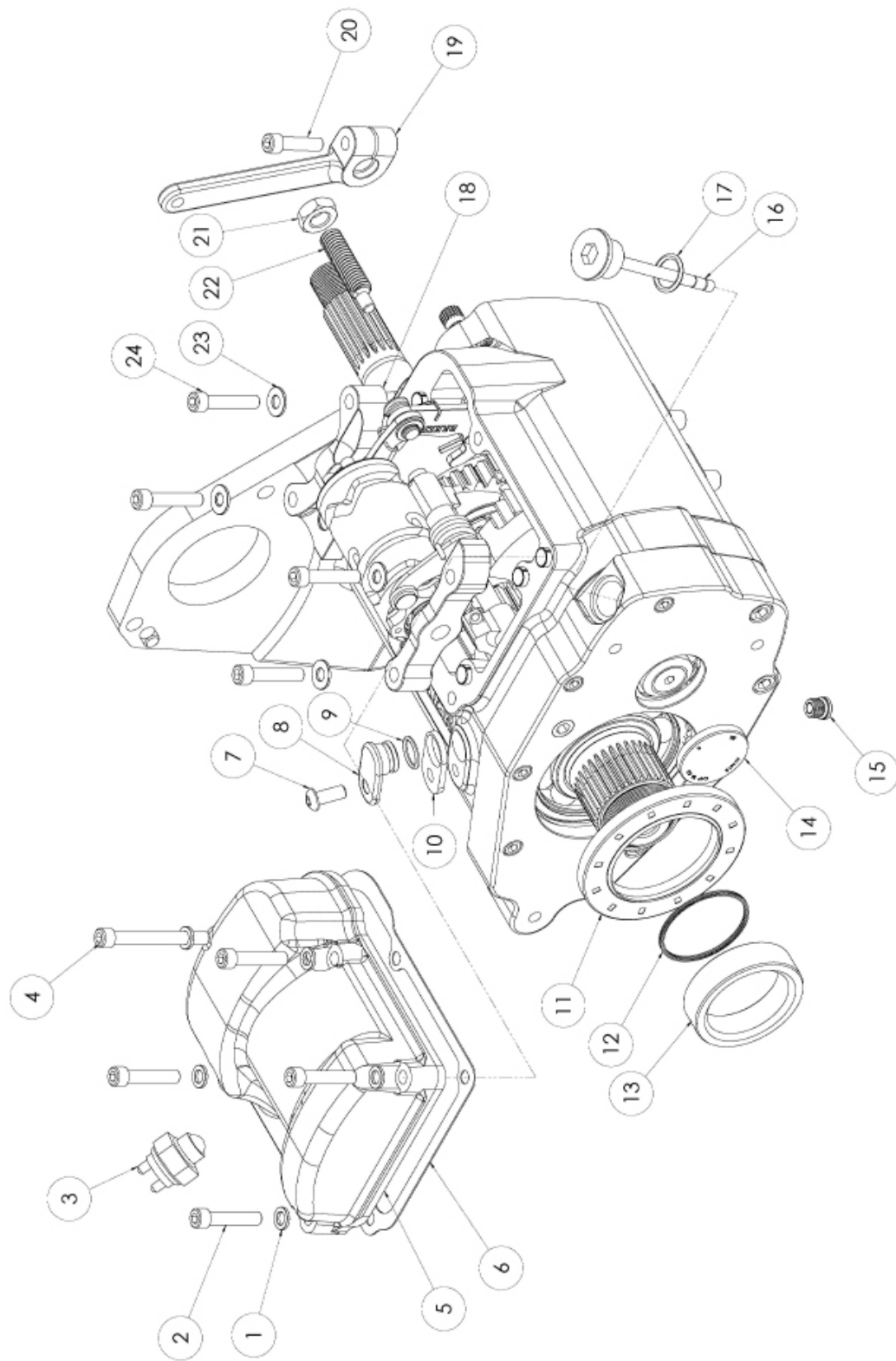




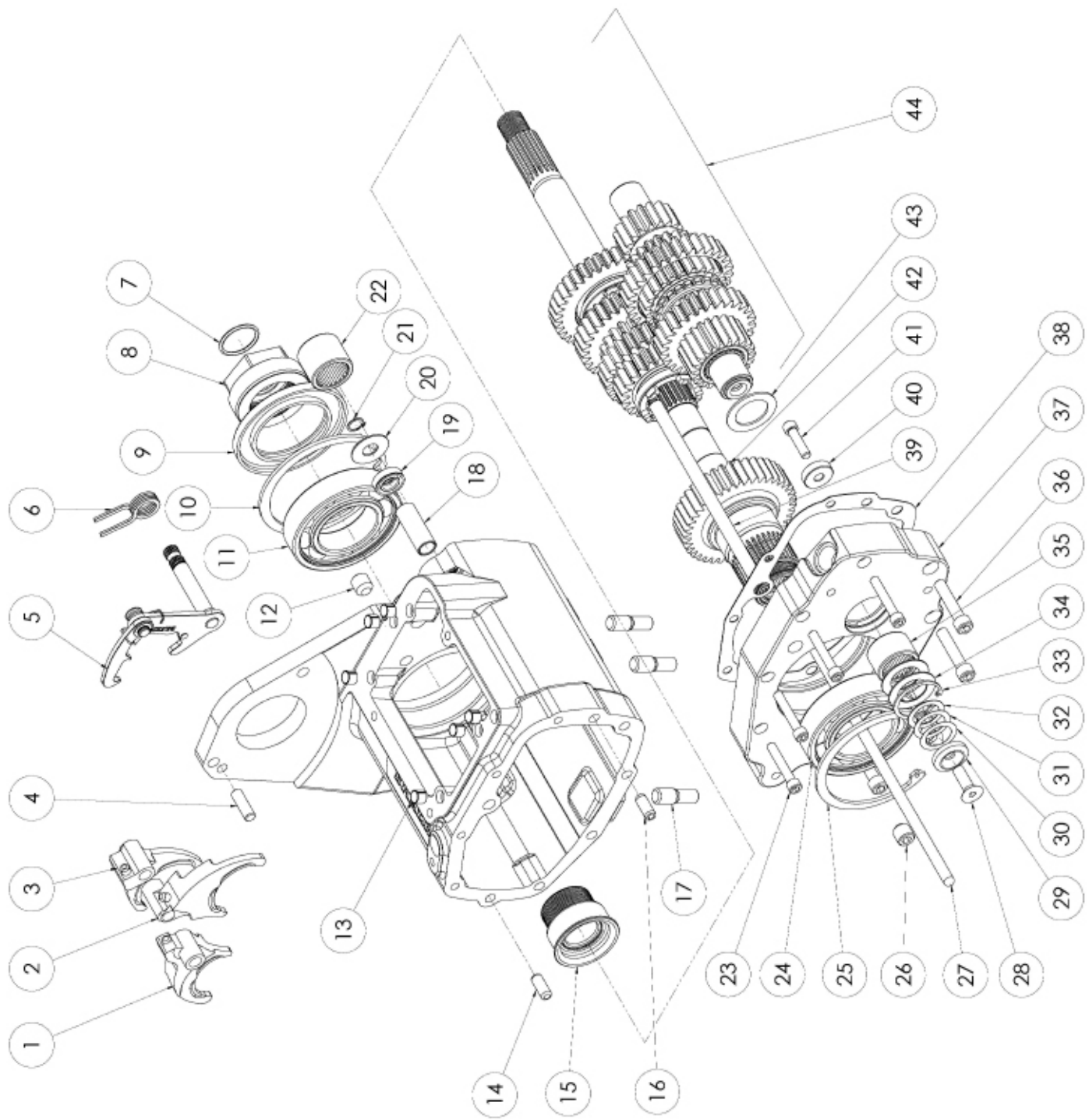
**OD6R:
OVERDRIVE
6-SPEED
RIGHT SIDE DRIVE
TRANSMISSION**

EXPLODED VIEW DIAGRAMS

V: 012216

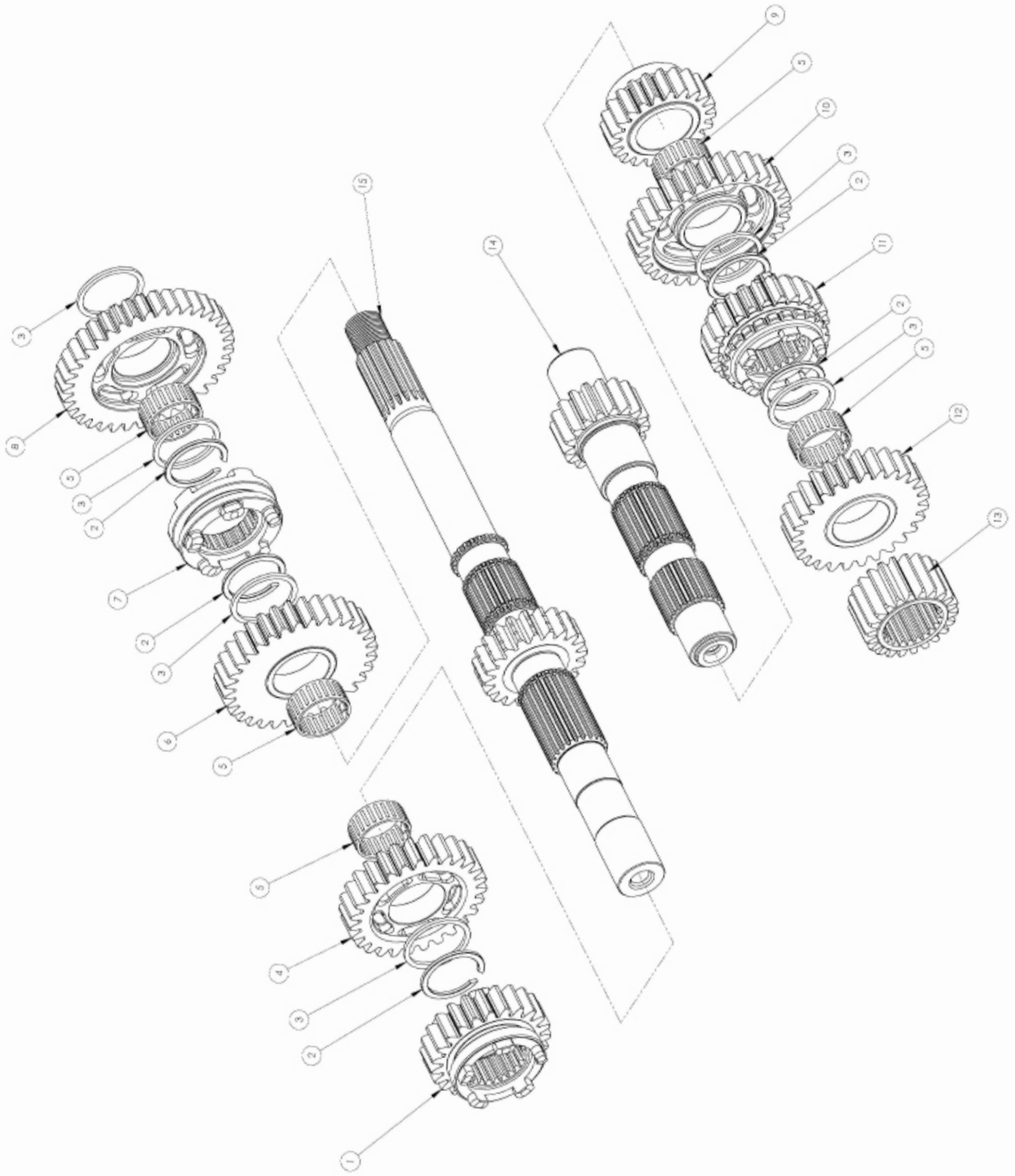


Number	Part Number	Qty.	Description
1	6099SS	5	WASHER
2	25C125KCSS/P	4	1/4-20 X 1 1/4" SHCS
3	33902-98	1	Neutral Switch
4	25C225KCSS/P	1	1/4-20 X 2 1/4" SHCS
5	34468-6RA	1	TOP COVER
6	34904-86E	1	TOP COVER GASKET
7	73753	1	1/4-20 X 5/8" SS BHSCS
8	108-6EP	1	SPEEDO PLUG
9	66808	1	SPEEDO PLUG O-RING
10	132-56R	1	SPEEDO PLUG SPACER
11	12067B	1	SEAL
12	11165A	1	#031 BUNA QUAD SEAL
13	33344-94S	1	SPROCKET SPACER
14	114-5RB	1	COUNTERSHAFT SEAL
15	51740-001	1	3/8-24 DRAIN PLUG
16	130-56C	1	DIPSTICK
17	66827	1	O-RING, DIPSTICK
18	124E-OD6R-A	1	SHIFT SYSTEM
19	33715-85S	1	SHIFT LEVER
20	25C100KCSS/P	1	1/4-20 X 1" SHCS
21	70813	1	7/16-14 JAMNUT SS
22	152-56A	1	ECCENTRIC ADJUSTMENT SCREW
23	33001	4	#10 WASHER
24	23207	4	1/4-20 X 1 1/4" SHCS



Number	Part Number	Qty.	Description
1	192-OD6R	1	SHIFT FORK
2	193-OD6R	1	SHIFT FORK
3	191-OD6R	1	SHIFT FORK
4	26770	1	STARTER DOWEL
5	555-56A	1	SHIFTER PAWL
6	34064-00C	1	SHIFT RETURN SPRING
7	66832	1	O-RING, MAINSHAFT SEAL NUT
8	SK2645	1	MAINSHAFT SEAL NUT
9	12067B	1	SEAL
10	1302-334PP	1	SNAP RING
11	6209	1	BEARING
12	25702	1	1/2-20 X 1/2 PLUG
13	609B	6	ALIGNMENT PIN
14	36768	1	5/16 x 3/4 DOWEL
15	SK2644	1	MAINSHAFT ADAPTER
16	64273	1	5/16 X 3/4 SPLIT PIN
17	11733A	5	STUD
18	33114-79	1	SHIFTER PAWL BUSHING
19	12045	1	SEAL
20	6497HW	1	WASHER
21	68010	1	RETAINING RING 7/16
22	BK2526	1	BEARING
23	25C150KCSS/P	4	1/4-20 X 1 1/2" SHCS
24	6209	1	BEARING
25	1302-334PP	1	SNAP RING
26	25702	1	1/2-20 X 1/2 PLUG
27	37088-90	1	CLUTCH RELEASE ROD
28	24256	1	5/16-18 X 1 FHCS
29	35020-89	1	COUNTERSHAFT RETAINER
30	98055A234	*	20 X 28 X .2 mm SHIM
31	98055A235	*	20 X 28 X .3 mm SHIM
32	98055A236	*	20 X 28 X .5 mm SHIM
33	68057	1	RETAINING RING
34	AS2035	2	SHIM
35	HK2520	1	BEARING
36	31C150KCSS/P	4	5/16-18 X 1 1/2 SHCS
37	1-6R	1	BEARING DOOR
38	35652-79A-.060	1	DOOR GASKET
39	122-6R	1	FORK ROD
40	F1409	1	DOOR MAGNET
41	23205	1	1/4-20 X 1" MAGNET BOLT
42	61005M	1	MAIN DRIVE GEAR
43	15162	1	SHIM
44	OD6R-2.94	1	GEAR ASSEMBLY

* Number contained varies, each transmission shimmed to spec



Number	Part Number	Qty.	Description
1	OD6R-2M	1	2nd Gear Mainshaft
2	11067A	5	Retaining ring
3	6003B	6	Thrust washer
4	OD6R-3M	1	3rd Gear Mainshaft
5	8876A	5	Bearing
6	OD6R-4M	1	4th Gear Mainshaft
7	DD6-4C5-1	1	4-5 Clutch
8	OD6R-6M	1	6th Gear Mainshaft
9	OD6R-4C	1	4th Gear Countershaft
10	OD6R-1C	1	1st Gear Countershaft
11	OD6R-3C	1	3rd Gear Countershaft
12	OD6R-2C	1	2nd Gear Countershaft
13	61005C	1	5th Gear Countershaft
14	OD6R-CS	1	Countershaft
15	OD6R-MS	1	Mainshaft