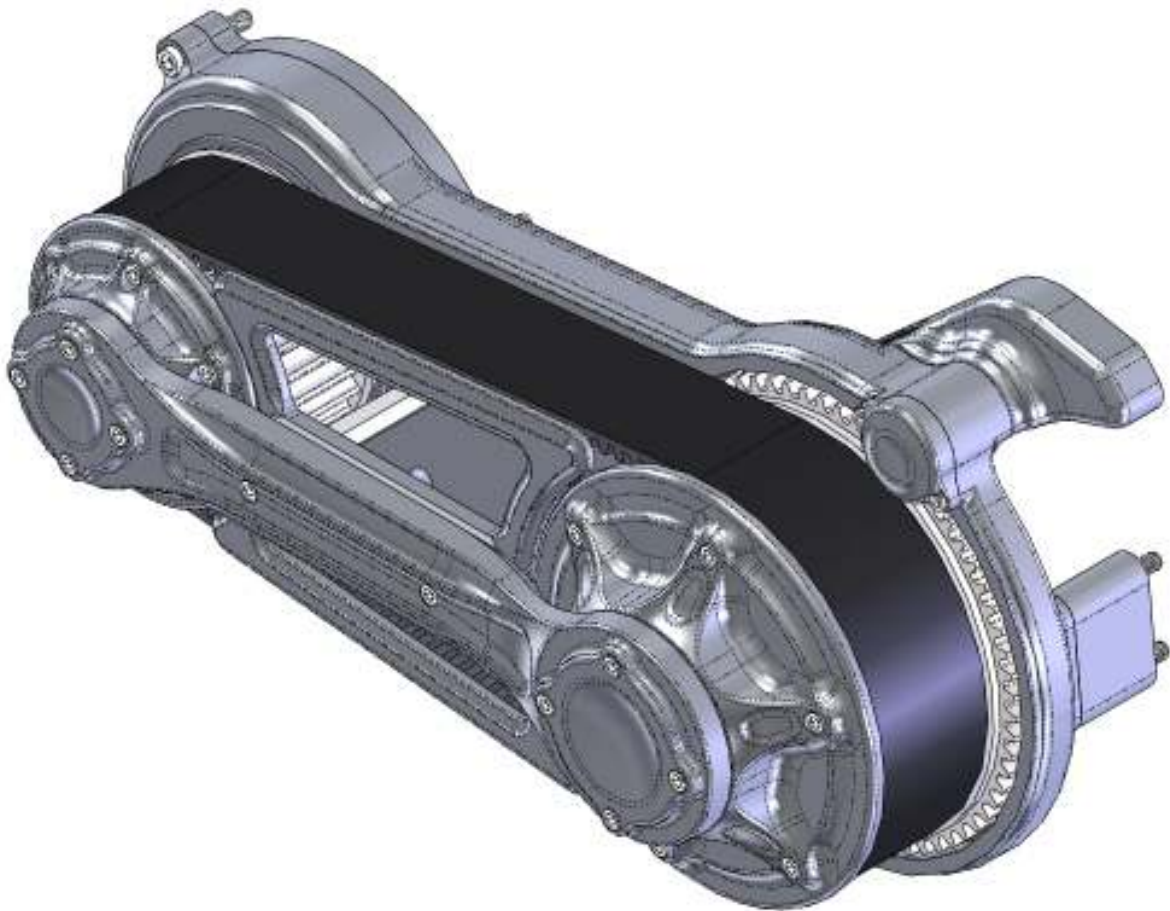


BAKER SOFTAIL BELT DRIVE

EXPLODED VIEWS

**BAKER DRIVETRAIN
SYNCHRONOUS
BELT DRIVE**



BAKER SOFTAIL BELT DRIVE

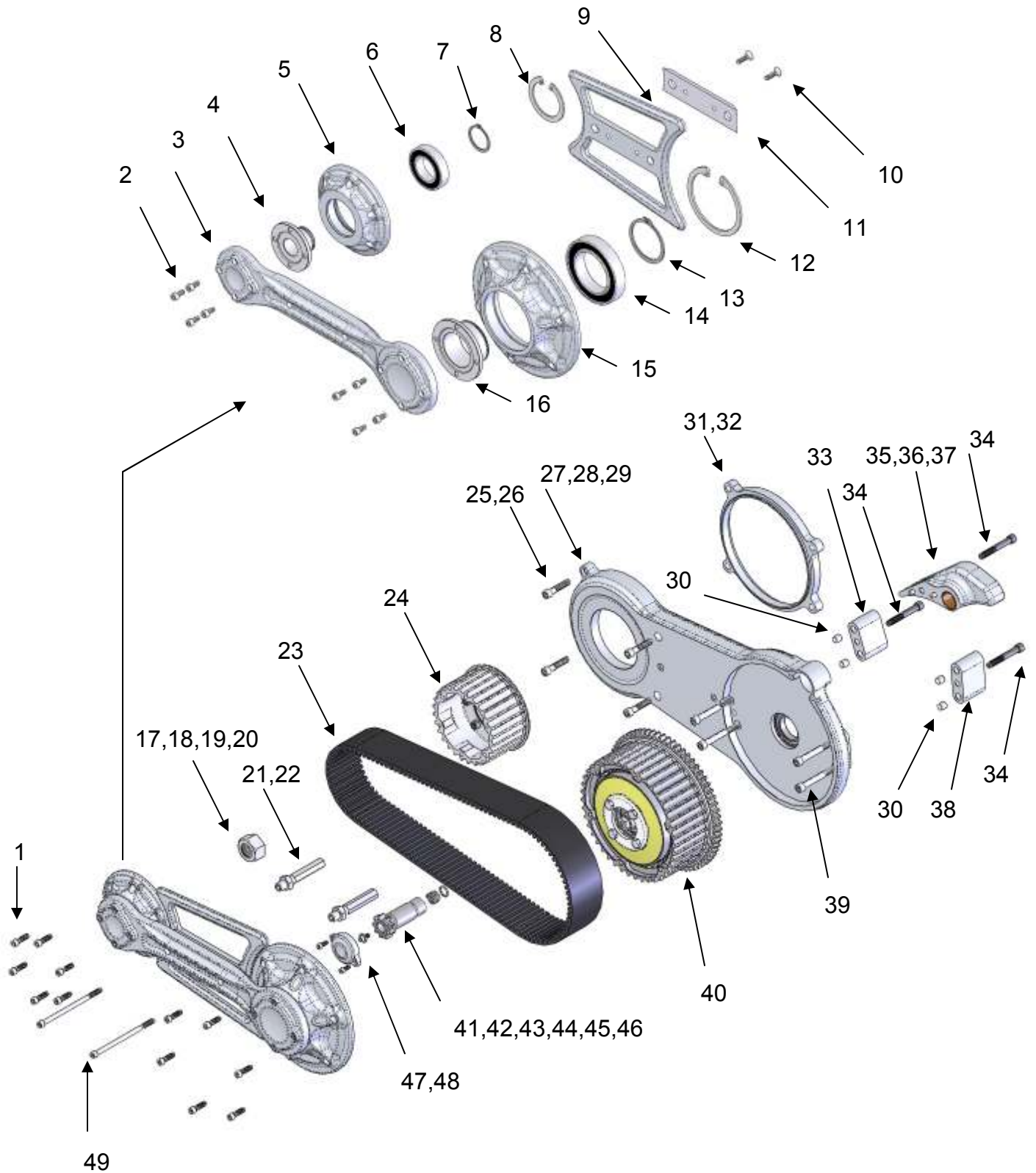


Figure 1

BAKER SOFTAIL BELT DRIVE

TAG	PN	QTY	DESCRIPTION
1	25C87KCSS	12	1/4-20 x 7/8", SHCS, SS
2	25C50KCSS	8	1/4-20 x 1/2", SHCS, SS
3	732501	1	Dog Bone, Outboard Support
4	732512	1	Outboard Support Hub, Front Pulley
5	732503	1	Pulley Cover, Outboard Support, Front
6	730507	1	Bearing, Outboard Support, Front
7	1460-137PP	1	Snap Ring, External, 1.375"
8	68157	1	Snap Ring, Internal, 2.437"
9	732502	1	Belt Guard, Outboard Support
10	25C87KFCS	2	1/4-20 x .875, FHCS, SS
11	732506	1	Spacer, Belt Guard, Outboard Support
12	130016	1	Snap Ring, Internal, 3.750"
13	130015	1	Snap Ring, External, 2.375"
14	730506	1	Bearing, Outboard Support, Front
15	732504	1	Pulley Cover, Outboard Support, Rear
16	732511	1	Outboard Support Hub, Rear Pulley
17	36467	1	Motor Shaft Nut
18	PB25232	1	.015" x 1.125" Shim
19	PB25235	1	.031" x 1.125" Shim
20	PB25237	1	.062" x 1.125" Shim
21	730510	2	Hex Belt Guard Standoffs
22	50CNFJ0Z	2	Jam Nuts
23	5000-BSD	1	Belt, 14mm Teeth, Softail
24	732300	1	Front Pulley Assembly, (See Pg 4)
25	31C150KCS	4	5/16-18 x 1.5", SS, SHCS (O"offset)
26	31C200KCS	4	5/16-18 x 2", SS, SHCS, (1/2" Offset)
27	732401	1	Motorplate
28	6907	1	Motorplate Roller Bearing
29	68067	1	Snap Ring, Motorplate Bearing Retainer
30	130037	4	Thru Dowels, 10mm
31	732409	1	0" Offset, Motorplate Spacer (1/2" Thick)
32	732402	1	1/2" Offset, Motorplate Spacer (1" Thick)
33	732403	1	Motorplate Standoff, Front
34	31C175KCS	3	5/16-18 x 1.75, SHCS, Black Oxide
35	732405	1	Starter Ear
36	EGB2525-E40-Y	1	Starter Ear Bushing
37	26749	2	Starter Ear Dowels, 1/4 x 1/2" Solid
38	732404	1	Motorplate Standoff, Rear
39	31C275KCSS	4	5/16-18 x 2.75, SHCS, Black Oxide
40	732101	1	Rear Pulley Assembly, (See Pg 4)
41	732407	1	Softail Belt Drive Jackshaft
42	99-1059	1	Jackshaft Spring
43	10F50KCS	1	10-32 x 1/2" SHCS, Black Oxide
44	203X.546X.048N	1	10-32 Screw Retainer Washer
45	25C50HFB8Z	1	1/4-20x1/2" Flange Head Bolt
46	99-1058	1	ID Splined Washer
47	732408	1	Jackshaft Cover
48	10C50KCSS	2	10-24x1/2", SHCS, SS
49	25C450KCSS	2	1/4-20 x 4.5" SHCS, SS

BAKER SOFTTAIL BELT DRIVE

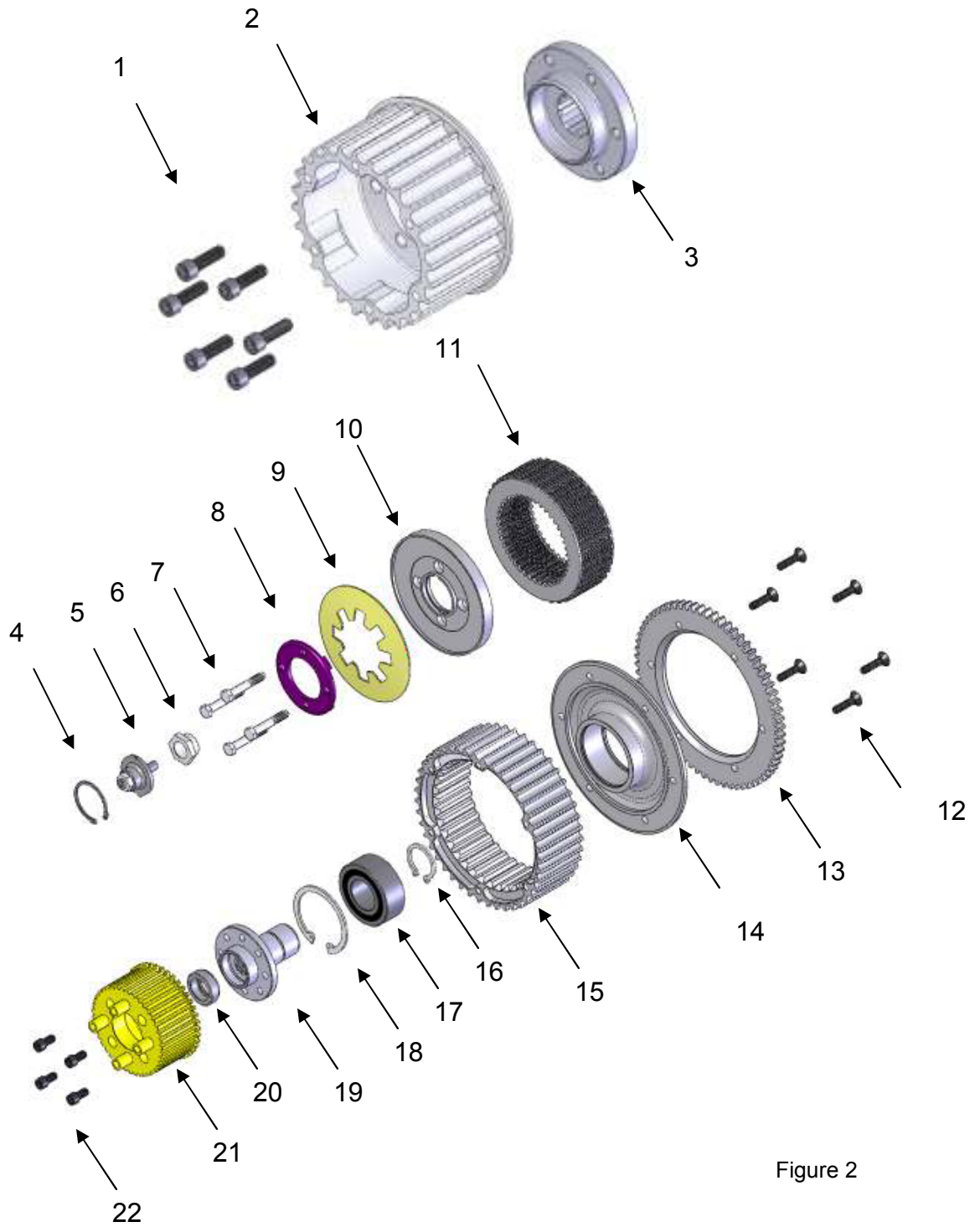


Figure 2

BAKER SOFTAIL BELT DRIVE

TAG	PN	QTY	DESCRIPTION
1	31C100KCS	6	5/16-18, x 1", SHCS, Black Oxide
2	732300	1	28T Front Pulley Assembly
3	732303	1	Motor Hub (0"Offset)
3	732302	1	Motor Hub (1/2"Offset)
4	1308-175PP	1	Snap Ring, Internal, 1.750"
5	732201	1	Keyhole Fitting
5	36258	1	7/16-20 Jam Nut, Clutch Adjuster
5	926K124	2	10mm x 7mm O-Ring, Clutch Adjuster
5	732202	1	Clutch Adjuster Rod
6	732123	1	Clutch Nut, Softail Belt Drive
7	13061	4	5/16-18 x 2", Hex Head, Zinc
8	3073A-DSSC	1	Pivot Plate
9	3083C-DSSC	1	Diaphragm Spring
10	3063B-DSSC	1	Pressure Plate
11	CPRK-SBD	1	Softail Clutch Pack, (See pg 6)
12	31C125KFC	6	5/16-18 x 1.25" FHCS, Black Oxide
13	732103	1	Ring Gear, 66T, Softail Belt Drive
14	732102	1	Clutch Carrier
15	732101	1	43T Rear Pulley
16	1460-137PP	1	Snap Ring, External, 1.375"
17	5207-2RSTNGC3	1	Bearing, Clutch Carrier
18	35258	1	Snap Ring, Internal, 72mm
19	732106	1	Clutch Flanged Hub
20	732121	1	Clutch Stop, Thread In
21	3033-DSSC	1	Inner Hub
22	23253	4	5/16-18 x .750", SHCS, Black Oxide

BAKER SOFTAIL BELT DRIVE

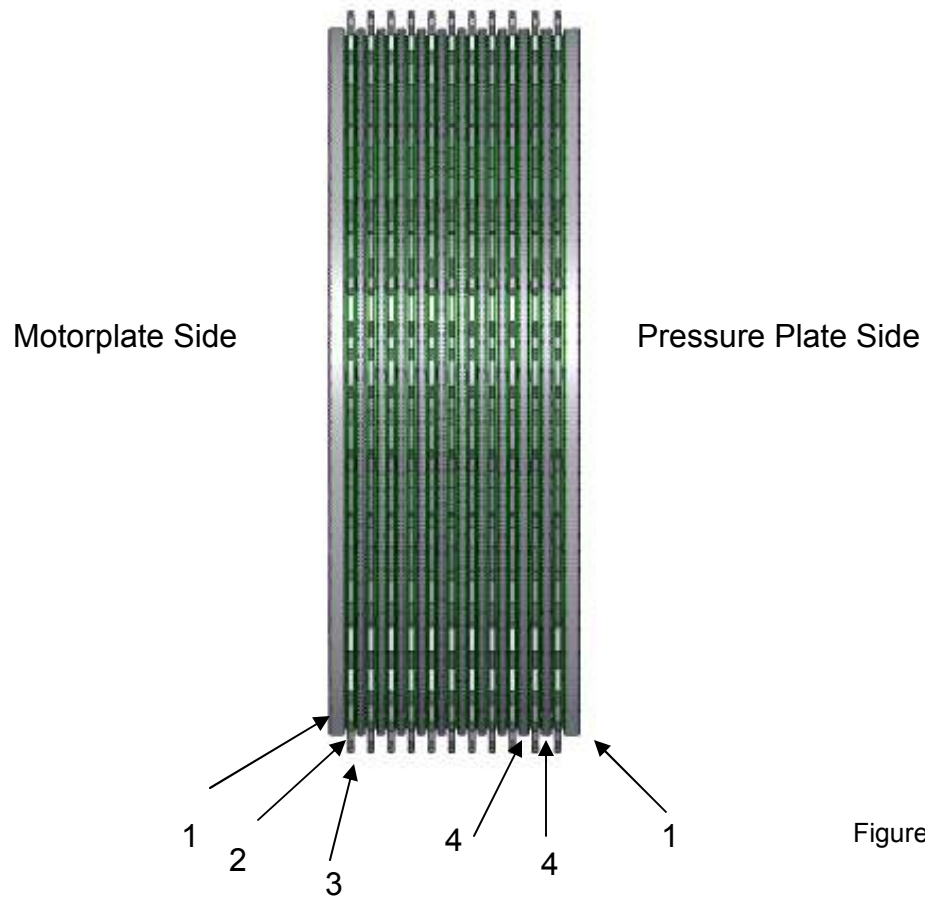


Figure 3

TAG	PN	QTY	DESCRIPTION
1	3123-DSSC	2	Clutch Steel, .121" Thick
2	3103-DSSC	11	Clutch Friction Plates
3	3113-DSSC	8	Clutch Steel, .059" Thick
4	5579	2	Clutch Steel, .079" Thick

BAKER SOFTAIL BELT DRIVE



TAG	PN	QTY	DESCRIPTION
1	25C87KCSS	12	1/4-20 x 7/8", SHCS, SS
2	732508	1	Pulley Cover, Front, Non Outboard
3	25C350KBCS	2	Support 1/4-20 x 3.500 BHCS, SS
4	36467	1	Motor Shaft Nut
4	PB25232	1	.015" X 1.125" Shim
4	PB25235	1	.031" x 1.125" Shim
4	PB25237	1	.062" x 1.125" Shim
5	732510	1	Belt Guard, Non Outboard Support
6	732505	2	Standoff, Round, Belt Guard
7	5000-BSD	1	Belt, 14mm Teeth, Softail
8	732300	1	Front Pulley Assembly, (See Pg 4)
9	31C150KCS	4	5/16-18 x 1.5", SS, SHCS (0" offset)
9	31C200KCS	4	5/16-18 x 2", SS, SHCS, (1/2" Offset)
10	732401	1	Motorplate
10	6907	1	Motorplate Roller Bearing
10	68067	1	Snap Ring, Motorplate Bearing Retainer
11	732409	1	0" Offset, Motorplate Spacer
11	732402	1	1/2" Offset, Motorplate Spacer
12	130037	4	Thru Dowels, 10mm
13	732403	1	Motorplate Standoff, Front

BAKER SOFTAIL BELT DRIVE

TAG	PN	QTY	DESCRIPTION
14	31C175KCS	3	5/16-18 x 1.75, SHCS, Black Oxide
15	732405	1	Starter Ear
15	EGB2525-E40-Y	1	Starter Ear Bushing
15	26749	2	Starter Ear Dowels, ¼ x ½" Solid
16	730404	1	Motorplate Standoff, Rear
17	31C275KCSS	4	5/16-18 x 2.75, SHCS, Black Oxide
18	N/A	1	Rear Pulley Assembly, (See Pg 4)
19	732407	1	Softail Belt Drive Jackshaft
19	99-1059	1	Jackshaft Spring
19	10F50KCS	1	10-32 x ½" SHCS, Black Oxide
19	.203X.546X.048N	1	10-32 Screw Retainer Washer
19	25C50HFB8Z	1	¼-20x1/2" Flange Head Bolt
19	99-1058	1	ID Splined Washer
20	732408	1	Jackshaft Cover
20	10C50KCSS	2	10-24x½", SHCS, SS
21	732509	1	Pulley Cover, Rear, Non Outboard Support

CUSTOMER SUPPORT: For any installation or service questions, please contact our BAKER technical department toll free: 1-877-640-2004.

**BAKER DRIVETRAIN
9804 E. SAGINAW
HASLETT, MI. 48840**

www.bakerdrivetrain.com