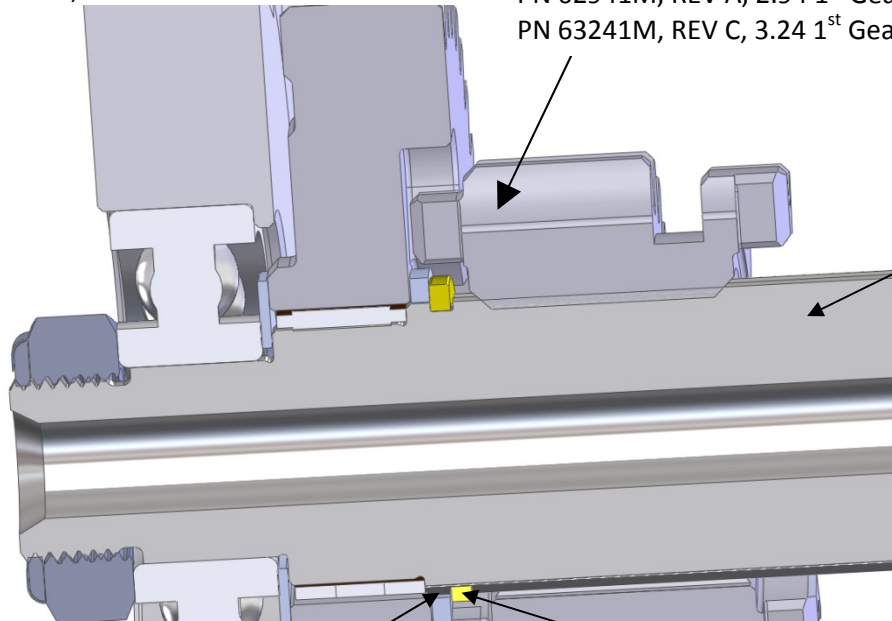


B
E
A
R
I
N
G

D
O
O
R

S
I
D
E

3-27-12, ATF



PN 62821M, 2.82 1st Gear, Mainshaft
PN 62941M, REV A, 2.94 1st Gear, Mainshaft
PN 63241M, REV C, 3.24 1st Gear, Mainshaft

PN 60000M, REV D, OD6 Mainshaft. Splined Clutch
PN 996120-8, OD6 Mainshaft, Tapered Clutch

PN MS-6N4-36, REV A, 6N4 Mainshaft, 1936-64 Models
PN MS-6N4-6569, 6N4 Mainshaft, 1965-69 Models
PN MS-6N4-70, REV D, 6N4 Mainshaft, 1970-E84 Models
PN MS-6N4-84, REV B, 6N4 Mainshaft, 1984-1986 Models

PN 996041-8, REV C, Frankentranny Mainshaft

OLD Design

1998-March 2012

Applies to OD6, 6N4, Frankentranny

PN 6003B, Thrust Washer
1.184" X 1.380" x .070"

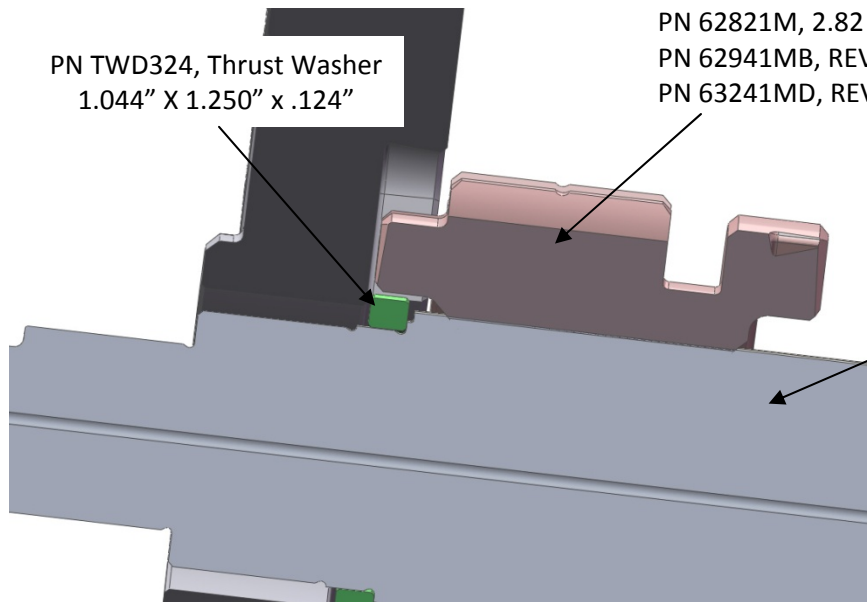
PN 11067, Shaft Snap Ring, External

B
E
A
R
I
N
G

D
O
O
R

S
I
D
E

PN TWD324, Thrust Washer
1.044" X 1.250" x .124"



PN 62821M, 2.82 1st Gear, Mainshaft
PN 62941MB, REV B, 2.94 1st Gear, Mainshaft
PN 63241MD, REV D, 3.24 1st Gear, Mainshaft

PN 60000ME, REV E, OD6 Mainshaft. Splined Clutch
PN 996120-8A, REV A, OD6 Mainshaft, Tapered Clutch

PN MS-6N4-36B, REV B, 6N4 Mainshaft, 1936-64 Models
PN MS-6N4-6569A, REV A, 6N4 Mainshaft, 1965-69 Models
PN MS-6N4-70E, REV E, 6N4 Mainshaft, 1970-E84 Models
PN MS-6N4-84C, REV C, 6N4 Mainshaft, 1984-1986 Models

PN 996041-8D, REV D, Frankentranny Mainshaft

NEW Design

March 2012-Later

Applies to OD6, 6N4, Frankentranny