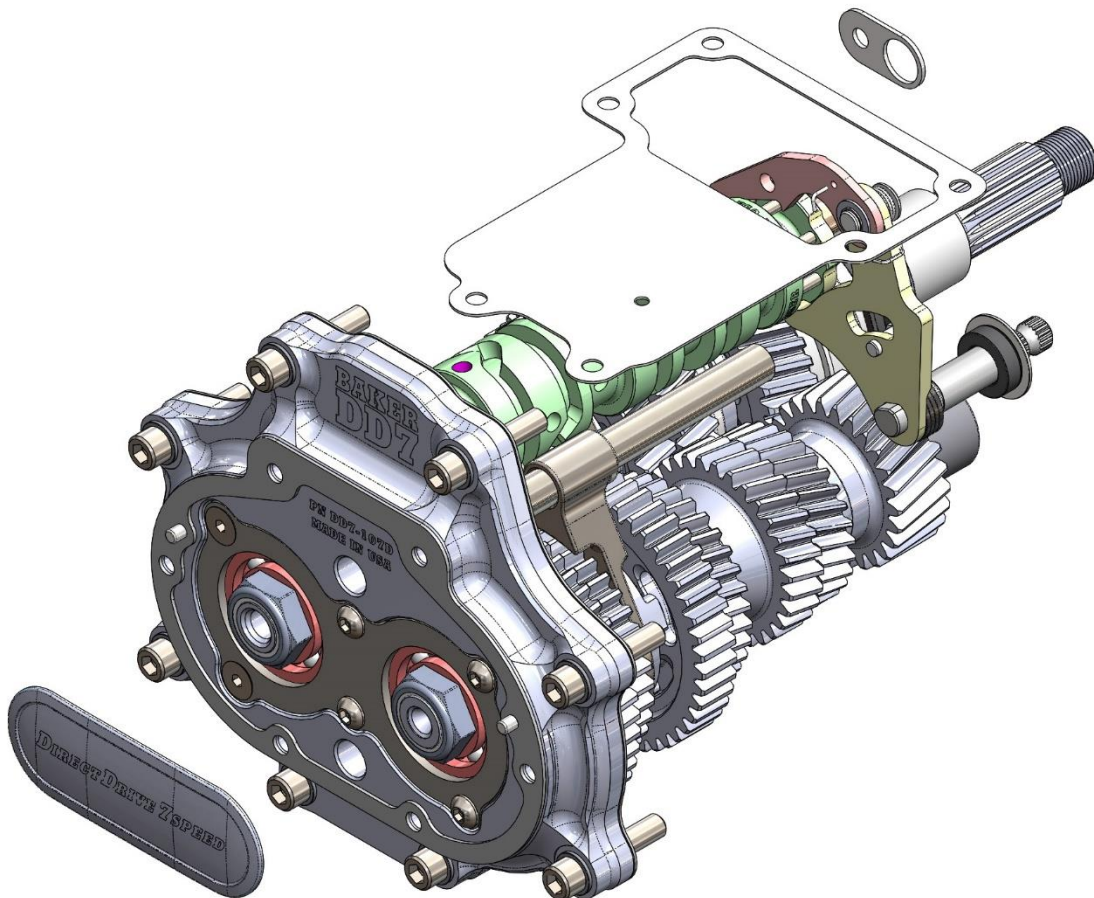


# BAKER DD7 BUILDER'S KIT EXPLODED VIEWS



# BAKER DD7 BUILDER'S KIT EXPLODED VIEWS

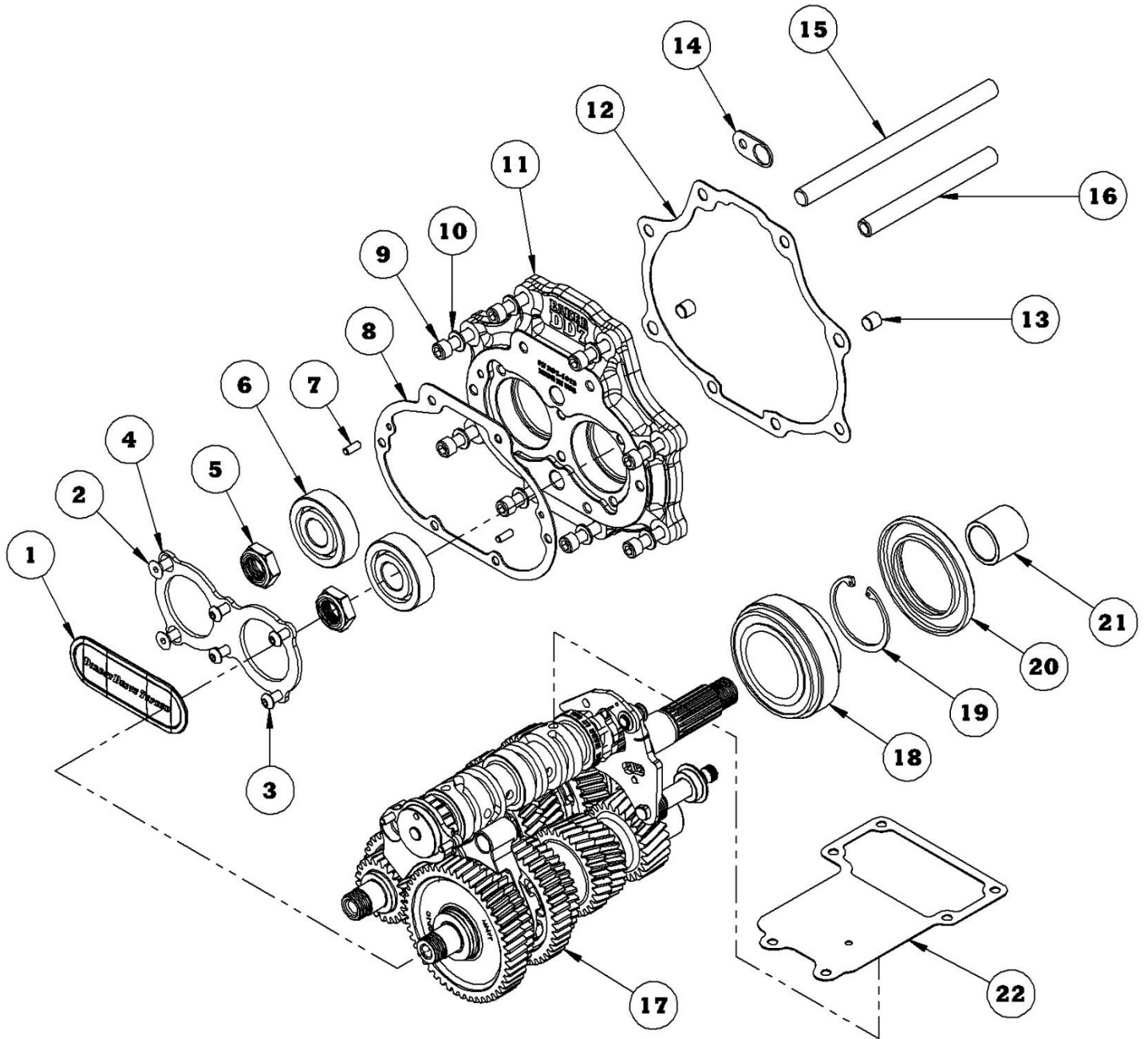


Figure 1

## BAKER DD7 BUILDER'S KIT EXPLODED VIEWS

<b>TAG</b>	<b>PART NUMBER</b>	<b>QTY</b>	<b>DESCRIPTION</b>
1	DD7-108	1	Emblem, Side Cover
2	25C62KFC	2	1/4-20 x .625", FHCS
3	24050	4	1/4-20 x .625", BHCS
4	481C-6	1	Retainer Plate, Door Bearings
5	7340BD	2	Nylock Jam Nut
6	6304	2	52mm Ball Bearing
7	26735	2	3/16 x .500" Solid Dowel
8	36805-06-F	1	Gasket, Side Cover
9	73497	8	5/16-18 x 1.500", SHCS
10	6100	8	Flat Washer
11	DD7D-1070X	1	Bearing Door
12	35654-67	1	Gasket, Bearing Door
13	16583-67	2	10mm Hollow Dowel
14	133-56R-GAS	1	Gasket, Speed Sensor, Case
15	35222-67A	1	Fork Rod, Long
16	35223-67A	1	Fork Rod, Short
17	N/A	1	DD7 Gear Cluster and Shift System
18	8967	1	Roller Bearing, Main Drive Gear
19	VHO-334STPA	1	Retaining Ring, Main Drive Gear
20	12074	1	Seal, Main Drive Gear, Case
21	34091-06	1	Inner Race, Primary
22	34917-06-F	1	Gasket, Top Cover

# BAKER DD7 BUILDER'S KIT EXPLODED VIEWS

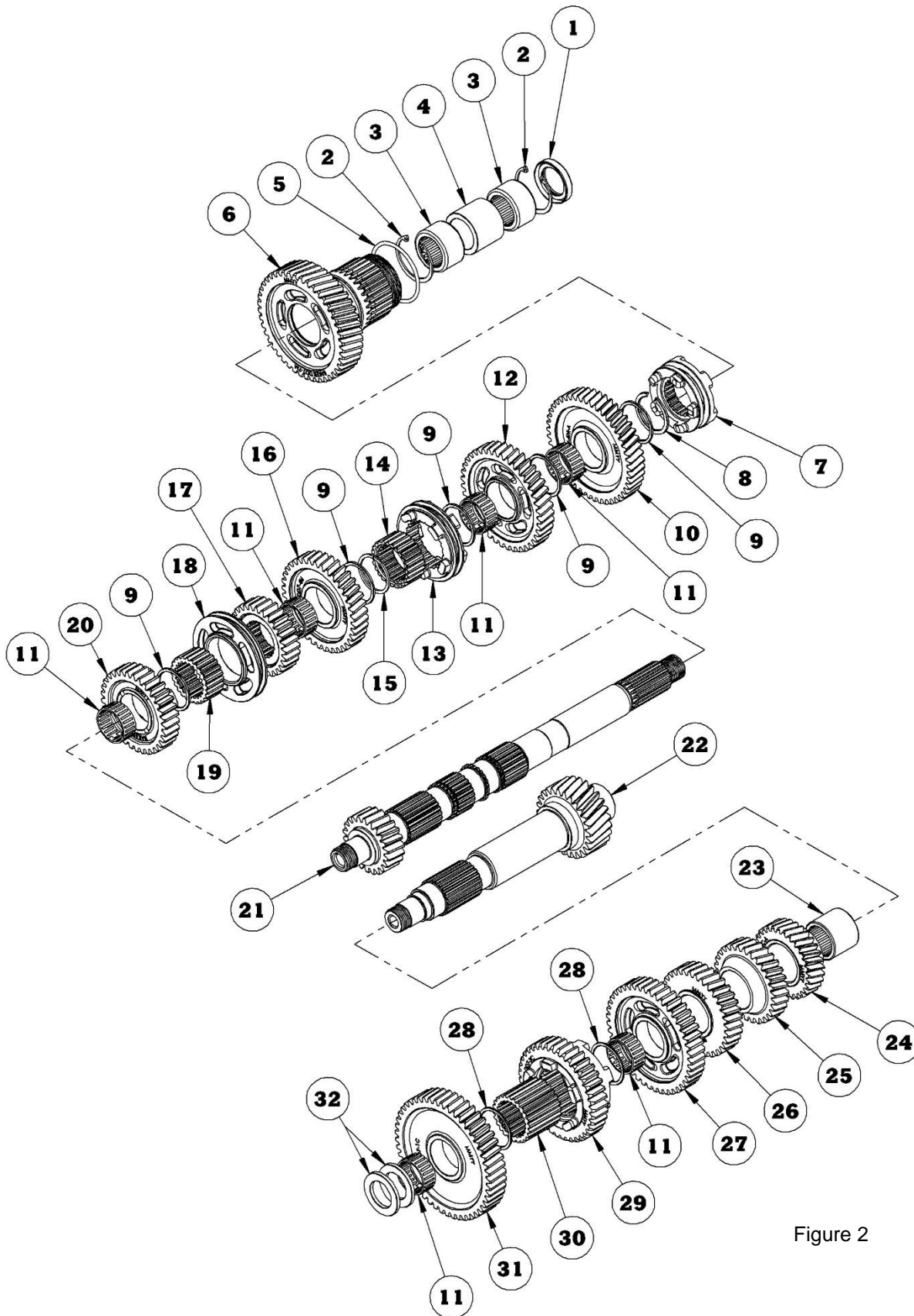


Figure 2

## BAKER DD7 BUILDER'S KIT EXPLODED VIEWS

<b>TAG</b>	<b>PART NUMBER</b>	<b>QTY</b>	<b>DESCRIPTION</b>
1	12077	1	Seal, Main Drive Gear, Output
2	68057	2	Retaining Ring, Main Drive Gear
3	8042	2	Needle Bearing, Main Drive Gear
4	11599	1	Spacer, Main Drive Gear
5	OR568133	1	O-Ring, Main Drive Gear
6	DD7-7MF	1	Main Drive Gear
7	DD6-4C5-1	1	Dog Clutch, 6th-7th Gear
8	11067	1	Retaining Ring, 6th Gear
9	6003B	5	Thrust Washer, .070" Thick
10	DD7-6MG	1	6th Gear, Mainshaft
11	8876A	6	Cage Bearing
12	DD7-5ME	1	5th Gear, Mainshaft
13	DD7-DC45D	1	Dog Clutch, 4th-5th Gear
14	DD7-SP45D	1	Splined Spacer, 4th-5th Gear
15	11082	2	Segment Ring
16	DD7-4MD	1	4th Gear, Mainshaft
17	DD7-2MC	1	2nd Gear, Mainshaft
18	DD7-DC3D	1	Dog Clutch, 3rd Gear
19	DD7A-SP23C	1	Splined Spacer, 2nd-3rd Gear
20	DD7-3ME	1	3rd Gear, Mainshaft
21	DD7-MSE	1	Mainshaft & 1st Gear
22	DD7-CSF	1	Countershaft & 7th Gear
23	8963	1	Countershaft Cup Bearing, Case
24	DD7-6CE	1	6th Gear, Countershaft
25	DD7-5CC	1	5th Gear, Countershaft
26	DD7-4CB	1	4th Gear, Countershaft
27	DD7-2CF	1	2nd Gear, Countershaft
28	6003B-050	2	Thrust Washer, .050" Thick
29	DD7-3CF	1	3rd Gear & Dog Clutch, Countershaft
30	DD7-SP12F	1	Splined Spacer, 1st-2nd Gear
31	DD7-1CF	1	1st Gear, Countershaft
32	TWD1423	2	Thrust Washer, .124" Thick

# BAKER DD7 BUILDER'S KIT EXPLODED VIEWS

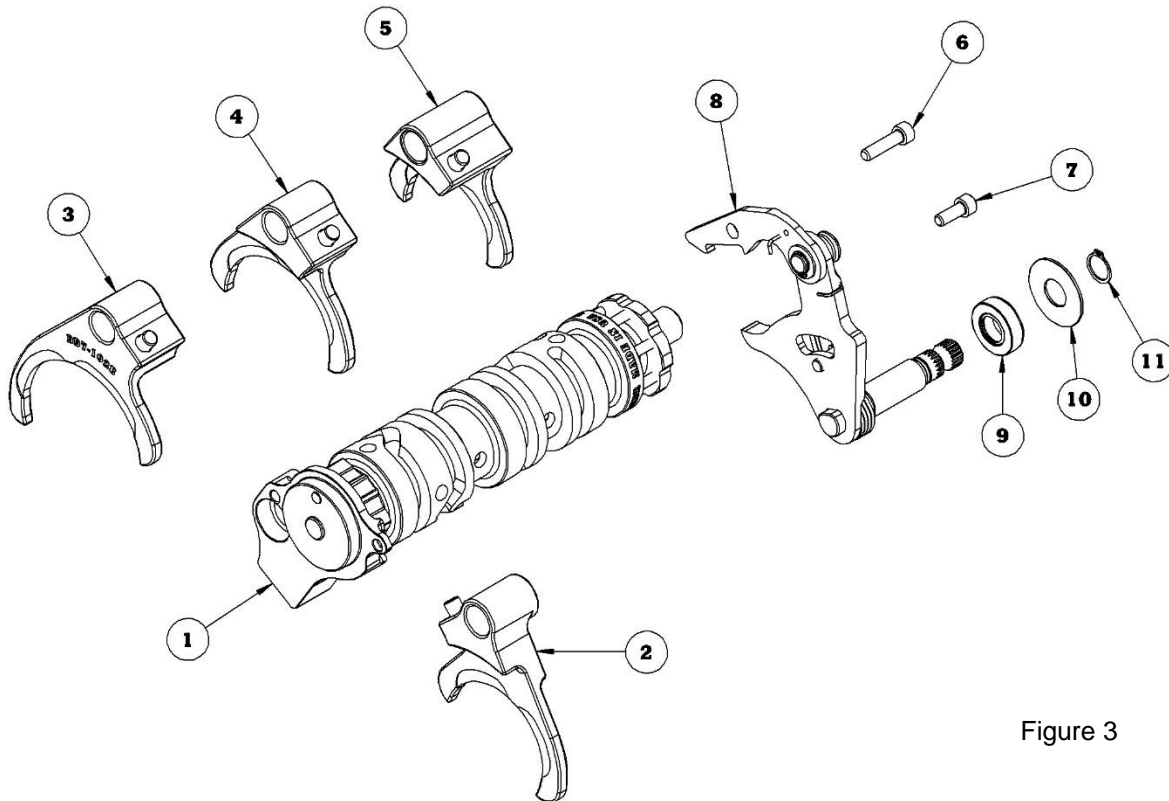


Figure 3

TAG	PART NUMBER	QTY	DESCRIPTION
1	DD7A-100-A	1	DD7 Shift Drum Assembly
2	DD7-101C	1	Shift Fork, 1st-2nd Gear
3	DD7-102C	1	Shift Fork, 3rd Gear
4	DD7-103D	1	Shift Fork, 4th-5th Gear
5	DD7-104E	1	Shift Fork, 6th-7th Gear
6	10C75KCS	1	10-24 x .750" SHCS
7	10C50KCS	1	10-24 x .500" SHCS
8	555-07-A	1	Shifter Pawl Assembly
9	11000101	1	Seal, Shifter Pawl, Case
10	6497HW-HD	1	Flat Washer
11	68010	1	Retaining Ring, Shifter Pawl

## CUSTOMER SUPPORT

For any installation or service questions, please contact our BAKER technical department toll free: 517-339-3835

**BAKER DRIVETRAIN**  
**9804 E. SAGINAW**  
**HASLETT, MI. 48840**

[www.bakerdrivetrain.com](http://www.bakerdrivetrain.com)