

BAKER CRUISE DRIVE 6 SPEED TOP COVER

INSTALLATION INSTRUCTIONS

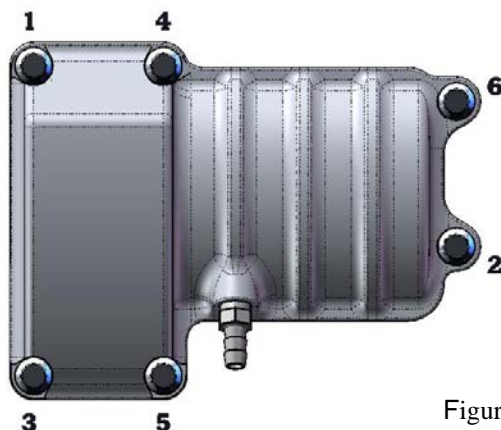


Figure 1

FEATURES

The all new BAKER Cruise Drive Top Cover is yet another example from our staff of designers and engineers of Function Formed brilliance. We have added the retro ribs that we are known for to complement the stock transmission case and vacuum wrapped the top cover to the transmission components underneath. The all billet, 3-D CNC machined piece adds style to your ride that the stock part just couldn't muster. 12 pt Stainless ARP Fasteners, and a fully polished, chrome plated finish are standard issue. This kit includes an already installed vent fitting and a new top cover gasket.

FITMENT (for P/N DD7-105C-KIT)

- 2006-09 Dyna®
- 2007-09 Softail®
- 2007-09 Touring

INSTALLATION

- 1) Remove the stock top cover and gasket and set aside.
- 2) Remove the rubber vent tube from your old top cover and slide it into place on the new BAKER Top Cover
- 3) Wipe down and inspect the gasket surface of the transmission case to make sure that it is free of thread lock debris, oil residue and any other matter to promote full gasket contact with the new top cover in place.
- 4) Place the new top cover on the transmission making sure to put the gasket in place. Torque the 6 provided ¼-20 x .750 bolts to 130 in-lbs using 'Blue' Thread Lock. Reference the above diagram (Figure 1) for torque sequence. Don't worry, you aren't missing parts. The boss on the bottom of the top cover is for the linear shift drum detent used with the DD7 gearset. The stock Cruise Drive 6 speed uses a door mounted detent and this empty boss will not be a show stopper.

BAKER CRUISE DRIVE 6 SPEED TOP COVER

TABLE OF CONTENTS

- 1) Overview, Installation
- 2) Table Of Contents
- 3) Terms
- 4) Disclaimer

BAKER CRUISE DRIVE 6 SPEED TOP COVER

TERMS:

SPECIAL ORDERS

A minimum \$500 deposit is required with all special orders. Special orders include unique case finishes, unique side door requests (i.e.; wrinkle black door or no logo).

ALL OTHER ORDERS

Orders can be pre-paid using VISA, Mastercard or American Express.

Prices shown are F.O.B. Haslett, MI. BAKER™ provides free UPS ground shipping on all retail orders for complete transmissions or transmission kit. UPS air shipment is available upon request. Customer is responsible for air shipment premiums.

LIMITED WARRANTY

BAKER™ Inc. transmission assemblies, transmission kits, and wide tire kits are guaranteed to the original purchaser to be free of manufacturing defects in materials and workmanship for a period of 5 years from the date of purchase or up to 50,000 miles - whichever is sooner.

If the product is found by BAKER™ to be defective, such products will, at the option of BAKER™, be replaced or repaired at cost to BAKER™.

In the event warranty service is required, the original purchaser must call or write BAKER™ immediately with the problem. If it is deemed necessary for BAKER™ to make an evaluation to determine whether the transmission assembly or transmission kit is defective, the entire transmission assembly, whether originally purchased as an assembly or kit, must be properly packaged and returned prepaid to BAKER™ with a copy of the original invoice of purchase.

If after an evaluation has been made by BAKER™ and a defect in materials and/or workmanship is found, BAKER™ will, at BAKER™ option, repair or replace the defective part of the assembly.

Warranty card must be returned within 45 days of purchase to be valid.

ADDITIONAL WARRANTY PROVISIONS

This limited warranty does not cover labor or other costs or expenses incidental to the repair and or replacement of BAKER™ products. This warranty does not apply if one or more of the following situations is judged by BAKER™ to be relevant: improper installation, accident, modification (including but not limited to use of unauthorized parts), racing, high performance application, mishandling, misapplication, neglect (including but not limited to improper maintenance), or improper repair.

BAKER™ shall not be liable for any consequential or incidental damages arising out of or in connection with a BAKER™ transmission assembly, transmission kit, swingarm, fender, component or part. Consequential damages shall include without limitation, loss of use, income or profit, or losses sustained as the result of injury (including death) to any person or loss of or damage to property.

BAKER™ transmissions, transmission kits, and Wide Tire Kits are designed exclusively for use in Harley-Davidson® motorcycles. BAKER™ shall have no warranty or liability obligation if a BAKER™ part is used in any other application.

If it is determined that a BAKER™ transmission assembly has been disassembled during the warranty period for any reason, this limited warranty will no longer apply.

BAKER CRUISE DRIVE 6 SPEED TOP COVER

DISCLAIMER:

The words Harley, and H-D are registered trademarks and are for reference only. Use of H-D model designations and part numbers are for reference only. BAKER Drivetrain has no association with, and makes no claim against, these words, trademarks, or companies.

It is the sole responsibility of the user to determine the suitability of this product for his or her use, and the user shall assume all legal, personal injury risk and liability and all other as well as all other obligations, duties and risks associated therewith.

CUSTOMER SUPPORT

For any installation or service questions, please contact our BAKER technical department toll free: 1-877-640-2004.

BAKER DRIVETRAIN
9804 E. SAGINAW
HASLETT, MI. 48840

On the web:

www.bakerdrivetrain.com

