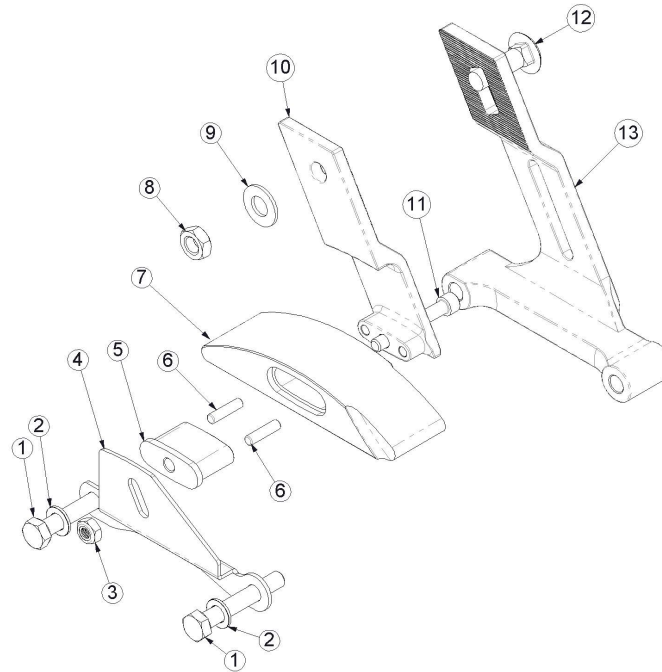


# BAKER ATTITUDE CHAIN ADJUSTER

PN 177-67A-A

## INSTALLATION INSTRUCTIONS



TAG	PN	QTY	DESCRIPTION
1	13061	2	5/16-18 X 2", Hex Bolt, Zinc
2	6100	2	5/16" ID AN Washers, SS
3	90636A038	1	1/4-20 Low Head Grade 8 Nut
4	278-67	1	Support Plate, 14 Gauge
5	177-67	1	Keeper, Shoe
6	18R75PDO	2	3/16" x 3/4" Hardened Dowel
7	176-67	1	Shoe
8	37024	1	3/8-16 Nylock Nut
9	33082	1	3/8" ID SAE Washer
10	175-67A	1	Active Plate
11	25C175KCS	1	1/4-20 x 1.75", SHCS, Black Oxide
12	21818	1	3/8-16 x 1.25" Carriage Bolt, Zinc
13	174-67A	1	Backing Plate

### FEATURES

The Attitude Chain Adjuster solves the issues associated with the stock auto chain tensioner on 2006-Later Dyna & 2007-Later Softail/ Touring models. The first moment the chain has enough slack into it to ratchet the shoe up another notch, and thus tightening the chain, it will. One notch tighter might not be an issue, but you don't have any control of when this mechanism stops tightening the chain. The end result in many cases is the primary chain is so tight that it will start wearing out left side motor case bearings, inner primary bearings, clutch hub bearings and transmission output gear bearings. Our manual chain tensioner allows you to adjust the chain to the proper 5/8-7/8" (cold) free play, and never have to worry about the chain getting too tight. We offer this chain adjuster for fitment with stock outer primary covers.

# BAKER ATTITUDE CHAIN ADJUSTER

## FITMENT

- 2006-2017 Dyna®
- 2007-2017 Softail®
- 2007-Later Touring

## INSTALLATION

- 1) Disconnect the battery, drain the primary fluid, remove the spark plugs and safely support the motorcycle.
- 2) Remove the foot pegs or floorboards on the left side of the motorcycle and the outer primary cover.
- 3) Remove the motor sprocket nut and sprocket assembly with primary chain. Remove the stock auto tensioner assembly and set aside. Before proceeding check the threaded holes for mounting the tensioner, in the inner primary, are free of thread lock, oil and debris.
- 4) Slide the BAKER Attitude Chain Adjuster into the primary, without the outer support using the provided 5/16-18 x 2" Hex Head bolts. Just snug the bolts for now for installation of chain and sprockets.
- 5) Install the compensator sprocket assembly with primary chain and bolt per the factory service manual for your model.
- 6) Remove the provided 5/16-18 x 2" bolts used to retain the Attitude Adjuster. Install the support plate PN 278-67; referencing the exploded view. Reinstall using blue thread lock the provided 5/16-18 x 2" hex head bolts with washers, torque the hex bolts to 220 in-lbs.
- 7) The Attitude Adjuster functions in the same manner as a 2001-06 stock style 'L-Bracket' Chain tensioner. Adjust the chain to 5/8"-7/8" upward free play if the motorcycle is cold, or 3/8"-5/8" upward free play if the bike is hot. Check the free play at multiple points in the chain by turning over the clutch and compensator sprocket to find the tight and loose spots inherent in every primary chain. Set the adjuster at the tightest spot on the chain (within 5/8"-7/8"). Tighten the 3/8" Nylock nut to 21-29 ft-lbs when satisfied with the adjustment.

## DISCLAIMER:



**IT IS HIGHLY IMPORTANT TO CHECK THE TENSION ON THE CHAIN AT MULTIPLE POINTS BEFORE RUNNING THE MOTORCYCLE. BAKER DRIVETRAIN WILL NOT BE HELD RESPONSIBLE AND THE ATTITUDE ADJUSTER WILL NO LONGER BE UNDER WARRANTY IF THE ADJUSTER BREAKS DUE TO INACCURATE CHAIN TENSION.**

**WHEN ADJUSTING THE CHAIN TENSIONER, BE SURE TO ROTATE THE SPROCKETS 360 DEGREES, CHECKING THE CHAIN SLACK IN MULTIPLE SPOTS. THE CHAIN WILL VARY IN THE AMOUNT OF SLACK ALL AROUND. FIND THE TIGHTEST SPOT IN THE CHAIN AND ADJUST THE TENSIONER ACCORDINGLY TO ALLOW AN AVERAGE AMOUNT OF SLACK OVER THE WHOLE CHAIN. 5/8"-7/8" WHEN CHAIN IS COLD OR 3/8"-5/8" WHEN CHAIN IS HOT.**

**IF THE CHAIN IS TOO TIGHT, THE ATTITUDE ADJUSTER WILL BEND IN A DOWNWARD MOTION CAUSING THE CHAIN TO WALK INWARD. THIS MOTION WILL WEAR THE TENSIONER SHOE AND THE ACTIVE PLATE ON THE ADJUSTER, WORST CAUSE, THE ADJUSTER MAY BREAK.**

## BAKER ATTITUDE CHAIN ADJUSTER

### DISCLAIMER CONTINUED:



**WHEN INSTALLING A NEW CHAIN, PLEASE BE SURE TO RECHECK AND ADJUST THE TENSIONER AFTER 150 MILES. NEW CHAINS AFTER 150 MILES WILL NEED TO BE RECHECKED FOR PROPER CHAIN TENSION/SLACK DUE TO THE CHAIN STRETCHING, BREAKING IN.**

8) With the chain set at the proper tension, install the supplied 1/4-20 Low Head Grade 8 Nut to the support plate and torque the nut to 110 in-lbs.

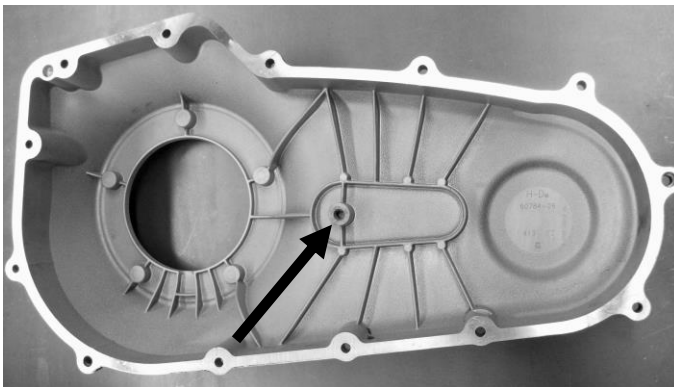
9) Install the outer primary at this point per the factory service manual, replace the outer primary gasket at this time if appears to be kinked, bent or damaged in anyway.

10) Re-assemble the rest of the motorcycle, while referencing the service manual, fill the primary and head out on the road. **CHECK THE PRIMARY CHAIN ADJUSTMENT EVERY 5000 MILES.**

### SOFTAIL AND DYNA



**REMOVE THE DAMPENER BOLT FROM THE OUTER PRIMARY BEFORE RE-INSTALLING THE COVER. IT WILL INTERFERE WITH THE ATTITUDE ADJUSTER. SEE PICTURES BELOW OF THE DAMPENER BOLT AND IT'S LOCATION ON THE OUTER PRIMARY.**



# BAKER ATTITUDE CHAIN ADJUSTER

## TERMS:

### SPECIAL ORDERS

A minimum \$500 deposit is required with all special orders. Special orders include unique case finishes, unique side door requests (i.e.; wrinkle black door or no logo).

### ALL OTHER ORDERS

Orders can be pre-paid using VISA, Mastercard or American Express.

Prices shown are F.O.B. Haslett, MI. UPS air shipment is available upon request. Customer is responsible for air shipment premiums.

### LIMITED WARRANTY

NOTE: Warranty card must be returned within 45 days of purchase for your warranty to be valid.

BAKER™ transmission assemblies and transmission builder 's kits, are guaranteed to the original purchaser to be free of manufacturing defects in materials and workmanship for a period of 5 years from the date of purchase or up to 50,000 miles, whichever occurs first. All other BAKER products are guaranteed to the original purchaser to be free of manufacturing defects in materials and workmanship for a period of 2 years from the date of purchase or up to 24,000 miles, whichever occurs first, except for the following; Warranty does not cover clutch plate wear, throw out bearing failures or mainshaft breakage due to improper clutch nut installation.

Electrical components carry a 30-day warranty; cosmetic finishes (chrome plating, hard anodizing, powder coating) are covered for 60 days. Certain promotional products may carry a shorter warranty as specified at the time of purchase. If the product is found by BAKER to be defective, such products will, at the option of BAKER, be replaced or repaired at cost to BAKER .

In the event warranty service is required, the original purchaser must call or write BAKER immediately with a description of the problem. If it is deemed necessary for BAKER to make an evaluation to determine whether the transmission assembly or transmission kit or accessory is defective, the entire transmission assembly, whether originally purchased as an assembly or kit, must be properly packaged and returned prepaid to BAKER with a copy of the original purchase invoice. If after evaluation by BAKER a defect in materials and/or workmanship is found, BAKER will, at their option, repair or replace the defective part of the assembly.

### ADDITIONAL WARRANTY PROVISIONS

NOTE: Limited warranty does not cover labor or other costs or expenses incidental to the repair and or replacement of BAKER products.

This warranty does not apply if one or more of the following situations is judged by BAKER to be relevant: BAKER OEM transmissions ; (these are subject to the OEM manufacturers warranty only), Improper installation , accident, modification (including but not limited to use of unauthorized parts, transmission oils or lubricants), racing, high performance application, mishandling , misapplication, neglect (including but not limited to improper maintenance), or improper repair

BAKER shall not be liable for any consequential or incidental damages arising out of or in connection with a BAKER transmission assembly, transmission kit, component or part. Consequential damages shall include without limitation , loss of use, income or profit, or losses sustained as the result of injury (including death) to any person or loss of or damage to property.

BAKER transmissions, transmission kits and accessories are designed exclusively for use in American V-Twin motorcycles . BAKER shall have no warranty or liability obligation if BAKER parts are used in any other application .

If it is determined that a BAKER product has been disassembled during the warranty period for any reason, this limited warranty will no longer apply unless you were instructed to do so by a BAKER Drivetrain technician for diagnostic purposes.

# BAKER ATTITUDE CHAIN ADJUSTER

## RETURNS AND EXCHANGES

Any merchandise returned for any reason (exchange, credit or modification) must be accompanied by a Return Goods Authorization (RGA) number or it will be refused. Call BAKER to obtain this number prior to returning goods for any reason. There is a 15% re-stocking fee for all returned items.

BAKER is not liable for any shipping

## DISCLAIMER:

The words Harley, and H-D are registered trademarks and are for reference only. Use of H-D model designations and part numbers are for reference only. BAKER Drivetrain has no association with, and makes no claim against, these words, trademarks, or companies.

It is the sole responsibility of the user to determine the suitability of this product for his or her use, and the user shall assume all legal, personal injury risk and liability and all other as well as all other obligations, duties and risks associated therewith.

## CUSTOMER SUPPORT

For any installation or service questions, please contact our BAKER technical department at 517-339-3835.

### BAKER DRIVETRAIN

9804 Old M-78

Haslett, MI 48840

On the web:

[www.bakerdrivetrain.com](http://www.bakerdrivetrain.com)



## **BAKER Attitude Chain Adjuster Addendum**

**Attitude Chain Adjuster Upgrade Kit Note (PN 179-67K): The shoe (PN 176-67) will not be a slip fit onto the active plate (PN 175-67A). You will need to press the shoe on as far as possible then draw the shoe in by tightening the keeper (PN 177-67) from the back of the active plate (PN 175-67A) with the provided bolt (PN 25C175KCS).**

**If you are still having difficulty with installing the new shoe, then please give us a call at 517-339-3835 or Live Chat with our tech during business hours at [www.bakerdrivetrain.com](http://www.bakerdrivetrain.com).**