

## SB Series Simplex Basket Strainers

6" TO 8" PVC AND CPVC



### KEY FEATURES

- PVC and CPVC
- External Cover Threads
- In-Line or Loop Connections
- Ergonomic Hand-Removable Cover
- Integral Flat Mounting Base
- Hand Removable Vent on Cover
- Hand Removable Drain on Body
- Liquid Displacing Cover
- PVC or CPVC Perforated Baskets Standard

### OPTIONS

- Stainless Steel, Monel®, Hastelloy®, and Titanium Strainer Baskets
- Pressure Differential Gauge and Switch
- Baskets Available with Perforated or Mesh Liners

### MATERIALS

- PVC Cell Class 12454 per ASTM D1784
- CPVC Cell Class 23447 per ASTM D1784
- FPM and EPDM O-Ring Seals

## TECHNICAL INFORMATION

### BASKET OPTIONS

PERFORATION SIZES	MESH SIZES	BASKET MATERIAL
1/32"	20	SSTL, Hastelloy, Monel and Titanium
1/16"	40	
1/8"	60	
5/32"	80	
3/16"	100	
1/4"	200	
3/8"	325	
1/8"	N/A	PVC, CPVC and PP
3/16"		

### SELECTION CHART

SIZE	MATERIAL	END CONNECTION	SEALS	PRESSURE RATING
6" - 8" (DN150 - DN200)	PVC or CPVC	Flanged	FPM or EPDM	150 PSI @ 70°F Non-Shock

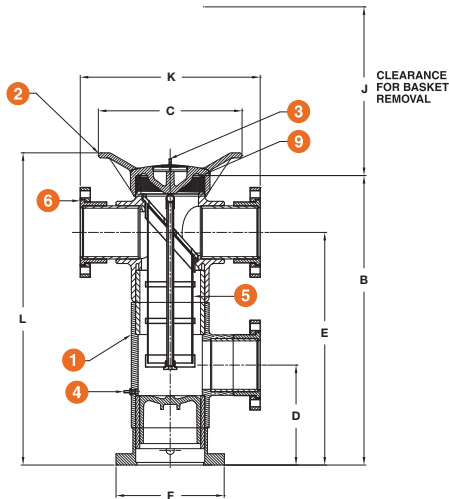
# SB Series Simplex Basket Strainers

6" TO 8" PVC AND CPVC

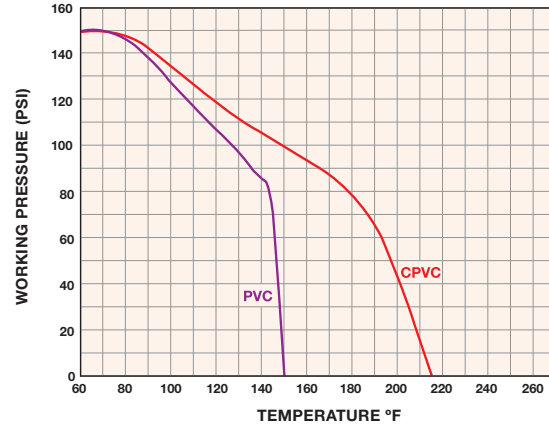
## TECHNICAL INFORMATION, CONTINUED

### PARTS LIST

1. Body
2. Cover
3. Vent Plug and O-Ring
4. Drain Plug and O-Ring
5. Basket
6. Flange (Optional)
7. End Connector
8. Nut
9. Cover O-Ring
10. End Connector O-Ring



### OPERATING TEMPERATURE / PRESSURE



### DIMENSIONS – INCHES / MILLIMETERS

SIZE in / DN	A in / mm	B in / mm	C in / mm	D in / mm	E in / mm	F in / mm	J in / mm	K in / mm	L in / mm	WEIGHT lbs / kg		VOLUME gal / LT
										SOC / THD	FLANGED	
6 / 150	N/A	34.28 / 871	18.00 / 457	12.46 / 316	28.99 / 736	11.75 / 298	21.80 / 554	22.42 / 569	39.90 / 1013	N/A	60.00 / 27.21	6.80 / 25.74
8 / 200	N/A	34.28 / 871	18.00 / 457	12.46 / 316	28.99 / 736	11.75 / 298	28.75 / 730	25.19 / 640	39.90 / 1013	N/A	80.00 / 36.28	9.00 / 34.07

Dimensions are subject to change without notice – consult factory for installation information

### PRESSURE DROP CALCULATIONS

#### BASKET PERFORATION CORRECTION FACTORS

For 6" to 8" Strainers

Plastic		Stainless Steel	
1/8"	2.00	1/32"	2.25
3/16"	1.50	1/16"	2.03
		1/8"	1.58
		5/32"	1.00
		3/16"	1.26
		1/4"	1.58
		3/8"	1.24
		20 Mesh	2.16
		40 Mesh	2.79
		60 Mesh	3.28
		80 Mesh	3.18
		100 Mesh	3.30
		200 Mesh	2.98
		325 Mesh	3.33

#### PRESSURE LOSS CALCULATION FORMULA

The pressure drop across the strainer, for water or fluids with a similar viscosity, can be calculated using the formula at the right:

$$\Delta P = \left[ \frac{Q}{C_v} \right]^2$$

$\Delta P$  = Pressure Drop  
 $Q$  = Flow in GPM  
 $C_v$  = Flow Coefficient

### Cv VALUES

SIZE in / DN	Cv VALUES GPM
6 / 150	1,000
8 / 200	750

The above Cv Values were determined using a 5/32" perforated plastic basket in 6" and 8" strainers.

To calculate pressure drop through vessels using other than 5/32" perforated baskets, first calculate the pressure drop using the listed Cv, and then multiply the result by the correction factor in the Correction Factors chart to the left.