



FLV Series Simplex Bag Filters

DOUBLE LENGTH – 32" GFPP
1-1/4" TO 2" PIPE SIZES

KEY FEATURES

- Platinum Glass Filled Polypropylene
- One-Piece Injection Molded Construction
- Hand Removable, Ergonomic Cover with Liquid Displacing Dome
- Vent Valve Included on Cover
- Rated up to 100 GPM
- True Union Socket, Threaded or Flanged End Connections
- In-Line or Loop Flow Configurations
- Hinged Basket for Easy Bag Removal
- Drain Port at Bottom
- Integral Mounting Base

BENEFITS

- Easier Installations Due to True Union Connectivity
- Simplified Bag Removal from Hinged Basket
- Vertical Flow Flutes in Basket, No Bag Snag and More Flow Area

TYPICAL APPLICATIONS

- Water and Wastewater Treatment
- Chemical Processing
- Food and Beverage
- Metal Plating
- Aquatic and Animal Life Support Systems
- Water/Theme Parks
- Aquaculture

OPTIONS

- Gauge with Gauge Guard
- Pressure Differential Gauge and Switch
- EPDM O-Ring Seals
- Cartridge Adapters

MATERIALS

- GFPP Cell Class 85580 per ASTM D4101
- FPM Standard O-Ring Seals

TECHNICAL INFORMATION

SELECTION CHART

SIZE / BODY MATERIAL	END CONNECTIONS	PIPING SIZES	O-RING SEALS	PRESSURE RATING (BAR)
Double Length 7" x 32" GFPP	GFPP (Threaded and Flanged)	1-1/4" – 2" rated @ 100 GPM*	FPM or EPDM	150 PSI @ 70°F Non-Shock (10 Bar / 1 MPa @ 21°C)
	PVC (Socket and Flanged)			
	CPVC (Socket and Flanged)			

* May be Limited by Pipe Size or Bag Choice

FLV Series Simplex Bag Filters

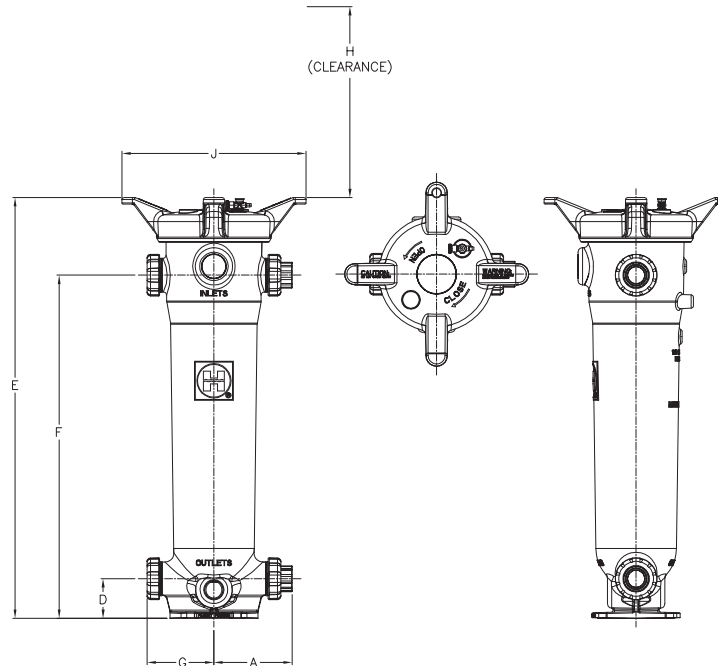
DOUBLE LENGTH – 32" GFPP
1-1/4" TO 2" PIPE SIZES

TECHNICAL INFORMATION, CONTINUED

PARTS LIST*

1. Vent Valve (Included)
2. Cover
3. Filter Vessel Body
4. End Connector
5. Assembly Nut
6. Alternate 2" NPT Ports
7. Integrally Molded Mounting Pad

* See page 8 for a complete Parts List



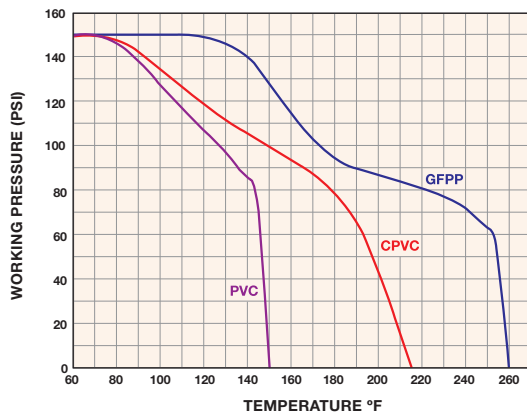
DIMENSIONS – INCHES / MILLIMETERS

VESSEL SIZE in / DN	A in / mm	D in / mm	E in / mm	F in / mm	G in / mm	H* in / mm	J in / mm
1-1/4" / 32	8.86 / 225	4.50 / 114	47.83 / 1215	39.00 / 991	7.60 / 193	31.25 / 794	20.93 / 532
1-1/2" / 40	8.86 / 225	4.50 / 114	47.83 / 1215	39.00 / 991	7.60 / 193	31.25 / 794	20.93 / 532
2" / 50	8.91 / 226	4.50 / 114	47.83 / 1215	39.00 / 991	7.60 / 193	31.25 / 794	20.93 / 532

Dimensions are subject to change without notice – consult factory for installation information

* Clearance from top for basket removal

OPERATING TEMPERATURE / PRESSURE



SPECIFICATIONS

Material of Construction: GFPP

Inlet Connections: GFPP (Threaded and Flanged)
PVC (Socket and Flanged)
CPVC (Socket and Flanged)

Outlet Connections: GFPP (Threaded and Flanged)
PVC (Socket and Flanged)
CPVC (Socket and Flanged)

Bag Size: Bag Size #2: 7" x 32"

Pressure Rating: 150 PSI @ 70°F Non-Shock

O-Ring Seals: FPM or EPDM

Bag Ratings: 1, 5, 10, 25, 50, 100, 150, 200, 400, 600 and 800 Microns

Flow Rate: 100 GPM (May be Limited by Pipe Size or Bag Choice)

Basket Open Area Ratio: 54:1

Weight: 64.1 lbs.



Hayward is a registered trademark of Hayward Industries, Inc. © 2012 Hayward Industries, Inc.