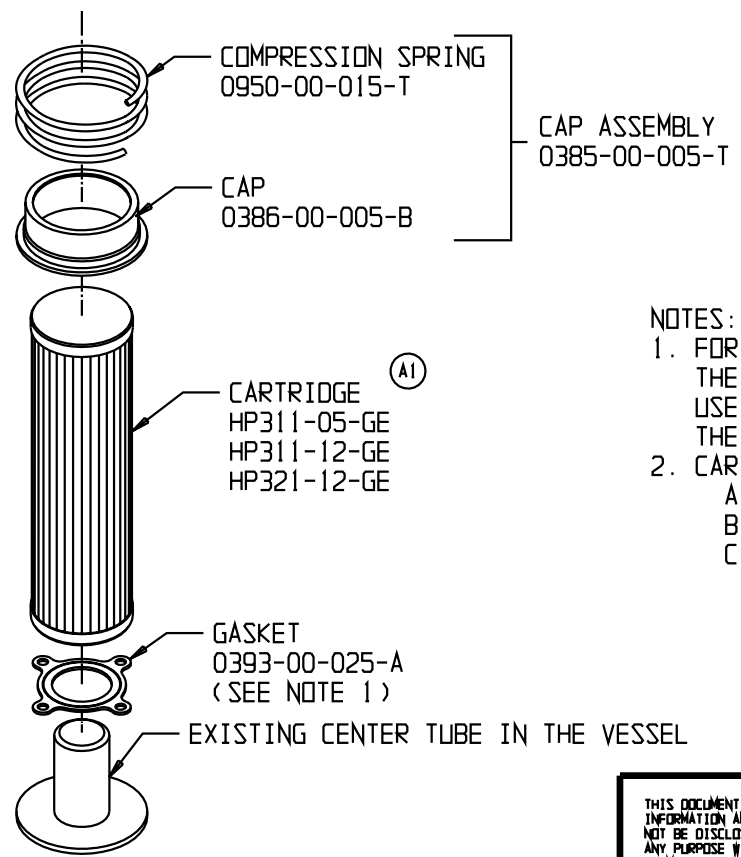
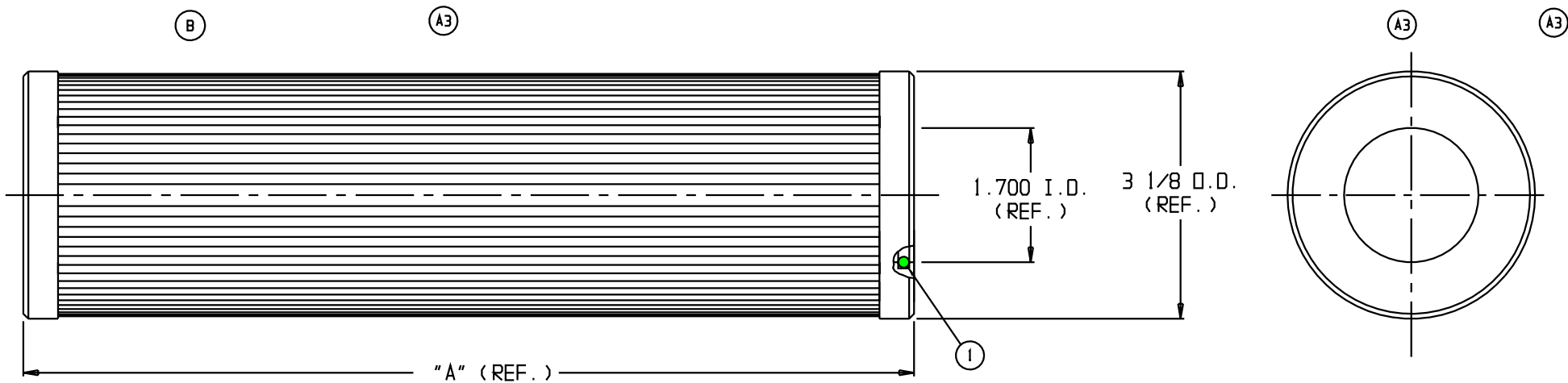


MODEL NUMBER	NUOVO PIGNONE P/N	GENERAL ELECTRIC P/N	"A"	CARTRIDGE PACKAGE	ITEM	PART NUMBER	QTY.	DESCRIPTION	AREA	DIRT HOLDING CAPACITY
HP311-05-GE			11.250	0849-00-011	1	0391-00-007	1	O-RING	SQ. FT.	GRAMS
HP311-12-GE	RFD 37049	342A2581P8; 258A4860P2	11.250	0849-00-007	1	0391-00-007	1	O-RING	4.0 SQ. FT.	25 GRAMS
HP321-12-GE	RFD 39298	258A4860P4	21.250	0849-00-008	1	0391-00-007	1	O-RING	7.5 SQ. FT.	48 GRAMS



- NOTES:
- FOR HILCO VESSELS SERIAL NUMBER HF55119 AND BELOW THE "O-RING" MUST BE REMOVED FROM THE CARTRIDGE. USE GASKET 0393-00-025-A AS THE SEAL BETWEEN THE CARTRIDGE AND THE BOTTOM OF THE VESSEL.
 - CARTRIDGE AND GASKET PACKAGE INCLUDES:
 - END CAP ASSEMBLY
 - GASKET
 - CARTRIDGE

(A2) MAXIMUM DIFFERENTIAL PRESSURE 2000 PSI
 MAXIMUM TEMPERATURE 250 DEGREES FAHRENHEIT

Hilliard
 THE HILLIARD CORPORATION
 100 WEST FOURTH STREET
 ELMIRA, NEW YORK 14902
 TELEPHONE: 607-733-7121
 FAX: 607-737-1108
 WEB SITE: www.hilliardcorp.com

REV	DESCRIPTION	BY	DATE	APP
B	ADDED NUOVO PIGNONE PART NUMBER	DPM	6/01/99	GLF
A3	ADDED COLUMN			
A2	WAS 1500 PSI	GF	5/15/95	GLF
A1	P/N WERE HP311-05 HP311-12 & HP321-12			

THIS DOCUMENT CONTAINS PROPRIETARY INFORMATION AND SUCH INFORMATION MAY NOT BE DISCLOSED TO OTHERS OR USED FOR ANY PURPOSE WITHOUT WRITTEN PERMISSION FROM THE HILLIARD CORP.
 © COPYRIGHT 1993
 THE HILLIARD CORPORATION, ALL RIGHTS RESERVED

UNLESS OTHERWISE SPECIFIED ✓ <u> </u> DECIMAL INCHES	BY SDM	DATE 3/23/93
UNLESS OTHERWISE SPECIFIED BREAK CORNERS <u> </u> MAX	CHECKED GLF	3/23/93
UNLESS OTHERWISE SPECIFIED FRACTIONAL DIMENSIONS - DECIMAL DIMENSIONS - ANGLES -	APPROVED JB	5/25/95
DIMENSIONS ARE IN INCHES 1 DIMENSIONS ARE IN MM	SIMILAR TO:	SCALE NONE

REVISONS	
TITLE	DATA SHEET
SHEET 1 OF 1	DD-700-2