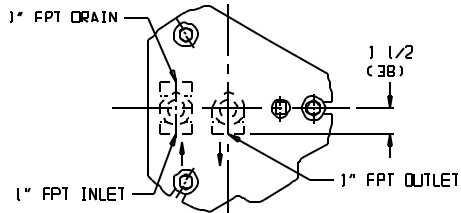
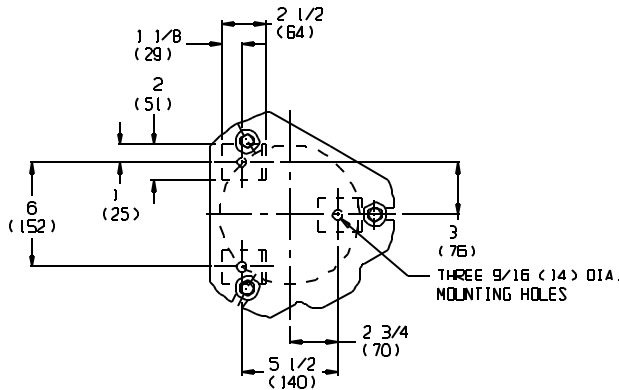


MODEL	WEIGHT						FLUID CAPACITY	
	DRY		DOMESTIC SHIP		EXPORT SHIP		GALS	L
	LBS	KG	LBS	KG	LBS	KG		
01718-0150-1C01	55	25	85	38.6	105	47.7	5	19
01718-0150-2C02	70	31.8	115	52.2	145	65.8	9	34



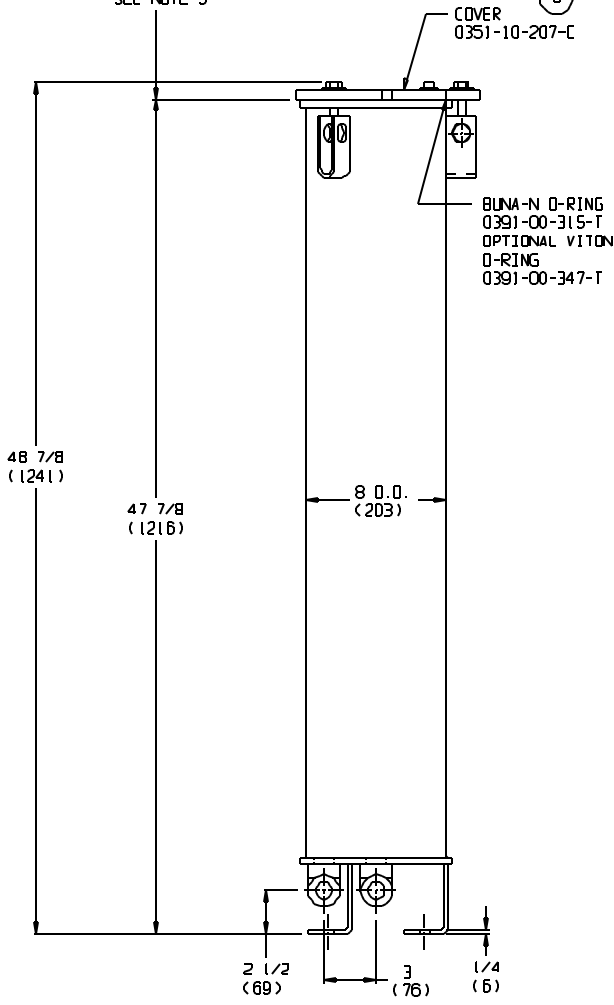
TYPICAL PLAN VIEW  
(INLET AND OUTLET)



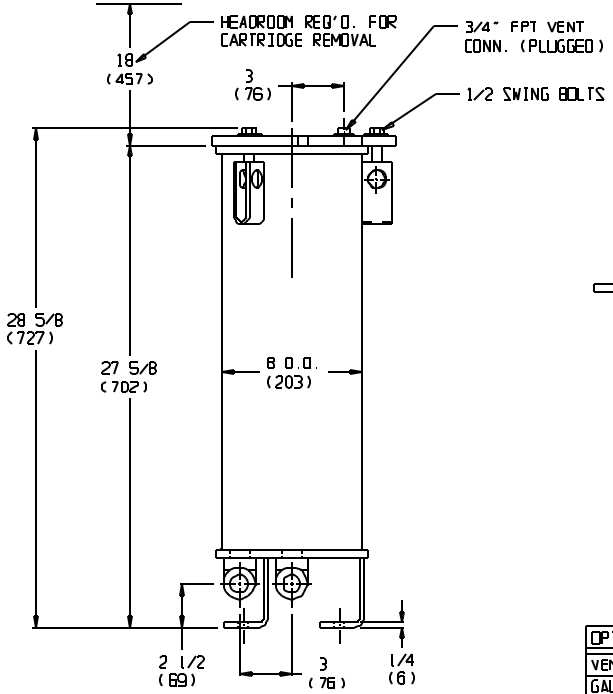
TYPICAL PLAN VIEW  
(MOUNTING DIMENSIONS)

- NOTES:
1. MAXIMUM DESIGN PRESSURE...150 PSI (10.3 BAR).
  2. MAXIMUM TEMPERATURE...250°F (121°C).
  3. FILTER CARTRIDGE AS SPECIFIED ON ORDER.
  4. TO COMPLY WITH OSHA STANDARDS - DO NOT USE THIS VESSEL FOR LIQUID HEATED ABOVE ITS FLASH POINT - OR HAVING A FLASH POINT BELOW 200°F (93.3°C).
  5. 18" (457) - CARTRIDGES WITH INTEGRAL CENTERTUBES.  
36" (914) - FOR CARTRIDGES WITH REUSABLE TWO-HIGH ADAPTERS.
  6. SEE 2501-00-147-A FOR OPERATING INSTRUCTIONS.
  7. FOR MOUNTING USE 1/2" X 1 1/4" MAX. LONG BOLTS.
  8. COVER WEIGHT - 15 LBS. (6.8 KG).
  9. 2" CENTERPOST STANDARD ON ALL MODELS.  
1-1/2" CENTERPOST AVAILABLE CONTACT FACTORY.
  10. MATERIAL SPECIFICATION: CARBON STEEL CONSTRUCTION.

HEADROOM REQ'D. FOR  
CARTRIDGE REMOVAL  
SEE NOTE 5



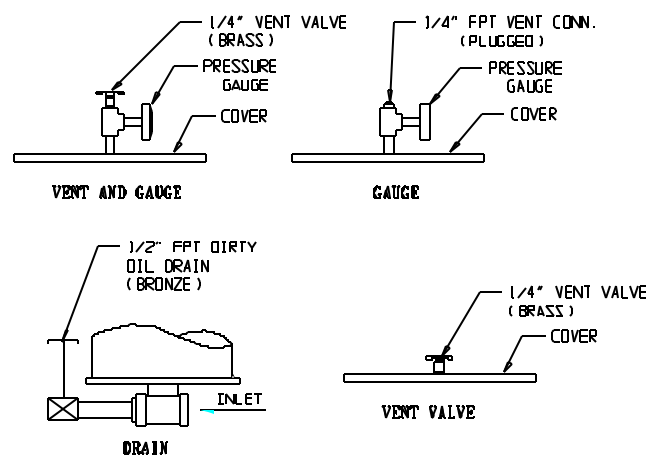
MODEL 01718-0150-2C02



MODEL 01718-0150-1C01

OPTIONAL VENT VALVE, DRAIN VALVE OR  
VENT VALVE/GAUGE/DRAIN VALVE.

INSTALLATION BY CUSTOMER



OPTIONAL ITEMS	ITEM NUMBER
VENT ONLY	FB-346-1
GAUGE ONLY	10008-008
VENT AND DRAIN	10008-009
VENT, DRAIN & GAUGE	10008-010

REV	DESCRIPTION	BY	DATE	APP
B	WAS 0351-10-189-C ECN # H-973-02	R A E	10/ 18/ 02	R G F
A	ADDED OPTIONS VIEWS	BJS	07/18 /02	RGF
LT	DESCRIPTION	BY	DATE	APP



THIS DOCUMENT CONTAINS PROPRIETARY INFORMATION AND SUCH INFORMATION MAY NOT BE DISCLOSED TO OTHERS OR USED FOR ANY PURPOSE WITHOUT WRITTEN PERMISSION FROM THE HILLIARD CORP.  
© COPYRIGHT 2001  
THE HILLIARD CORPORATION, ALL RIGHTS RESERVED

UNLESS OTHERWISE SPECIFIED  
✓ FINISH MICROFINISH  
UNLESS OTHERWISE SPECIFIED  
□ BREAK CORNERS MAX.  
UNLESS OTHERWISE SPECIFIED  
FRACTURE  
DIMENSIONS ARE IN INCHES  
DIMENSIONS ARE IN MILLIMETERS  
UNLESS = 30°

DRAWN BY BJS 11/26/01  
CHECKED BY RGF 11/27/01  
APPROVED BY RGF 11/27/01  
SIMILAR TO: 00-604-B  
SCALE: NONE PLOT: 3/16

REVISIONS  
TITLE: HILCO OIL FILTER  
01718-0150 SERIES  
SHEET 1 OF 1  
DD-624-6