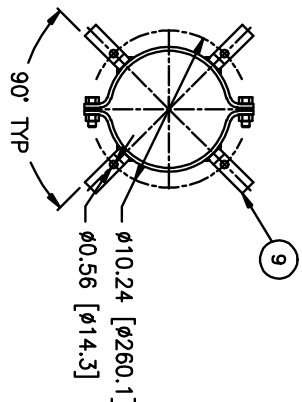
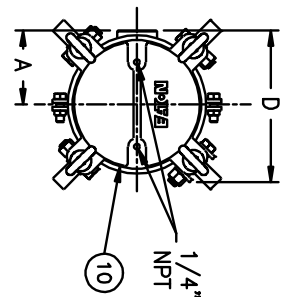


ITEM NUMBER	VESSEL CODE	BAG SIZE	A IN. / MM	B IN. / MM	C IN. / MM	D IN. / MM	E IN. / MM	F IN. / MM	G IN. / MM	FLOW RATE GPM (MAX)	WEIGHT LBS / KGS
SBL101CS2NSBSP0	FBF2-0101-CS10-020N	01	4.80 / 122	18.39 / 467	25.25 / 641	9.88 / 251	35.55 / 903	19.10 / 485	7.68 / 195	90	37 / 16.8
SBL102CS2NSBSP0	FBF2-0102-CS10-020N	02	4.80 / 122	33.55 / 852	40.41 / 1026	9.88 / 251	66.50 / 1689	19.10 / 485	7.68 / 195	180	50 / 22.7

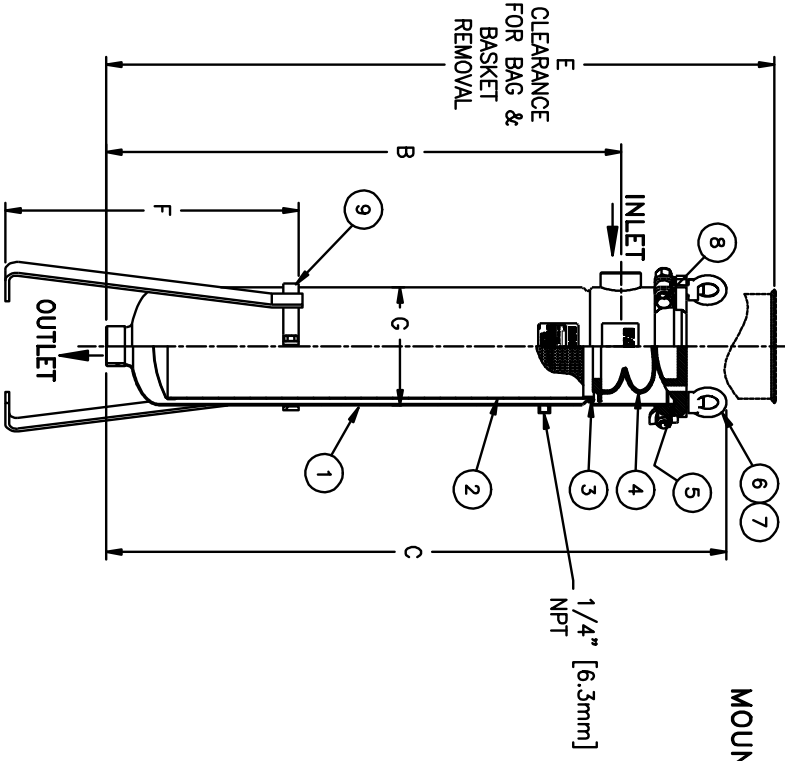


MOUNTING DETAIL

NO.	PART NAME	MATERIAL
1	BODY	CARBON STEEL
2	RESTRAINER BASKET	316 STAINLESS STEEL
3	BASKET O-RING	BUNA-N
4	BAG HOLD DOWN	KYNAR PUDF
5	O-RING	BUNA-N
6	EYE BOLT	STEEL, ZINC PLATED
7	EYE NUT	STEEL, ZINC PLATED
8	BOLT	STEEL, ZINC PLATED
9	LEGS	CARBON STEEL
10	COVER	CARBON STEEL

NOTES:

1. INLET/OUTLET 2" NPT CONNECTIONS
2. MAWP: 150 PSI @ 250° F (-20° F @ 150 PSI (10.3 BAR @ 121.1° C) (-28.9° C @ 10.3 BAR) MIDMT:
3. MAXIMUM OPERATING TEMP. 250° F (121.1° C)
4. PAINT C/STL. PER EATON STANDARD ES-301.



ELECTRONIC FILE NAME: FBF211XC.dwg
 REF. EOR DATE 02/09/10
 UNAUTHORIZED USE, MANUFACTURE OR REPRODUCTION IN WHOLE OR IN PART IS PROHIBITED. DRAWING, DESIGN AND OTHER DISCLOSURES PROPERTY OF EATON FILTRATION, LLC

EATON
 70 WOOD AVENUE SOUTH, ISELIN, NEW JERSEY 08830

EATON FILTRATION, LLC
 FLOWLINE II FILTER VESSEL
 2" NPT THREADED CONNECTION
 CARBON STEEL

CERTIFIED FOR:
 P.O. NO.:
 SALES ORDER NO.:
 QUANTITY:
 TAG NO.:
 FILTER BAG:

DRAWN MAQ DATE 02/09/10 CERT. DATE

SIZE	DWG NO	REV
A	FBF211XC	A