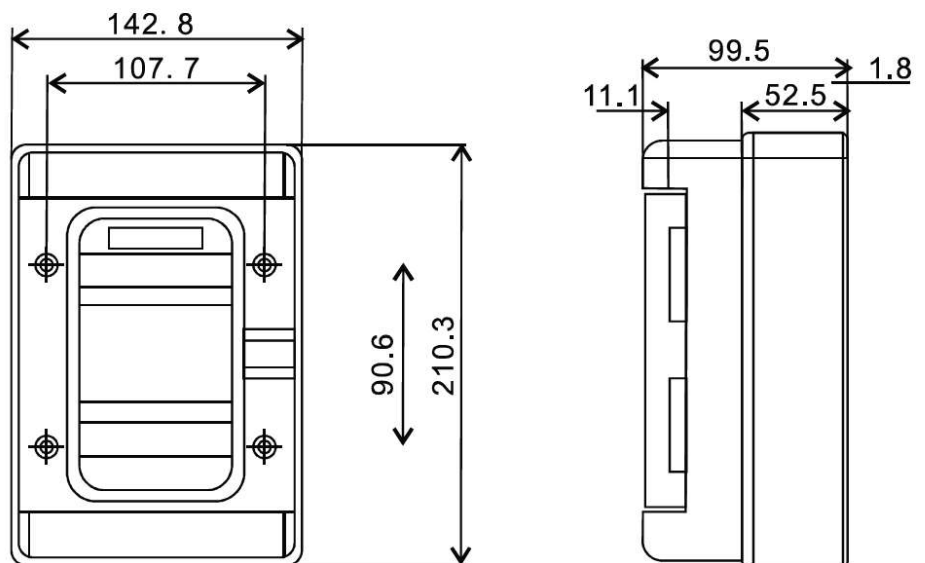
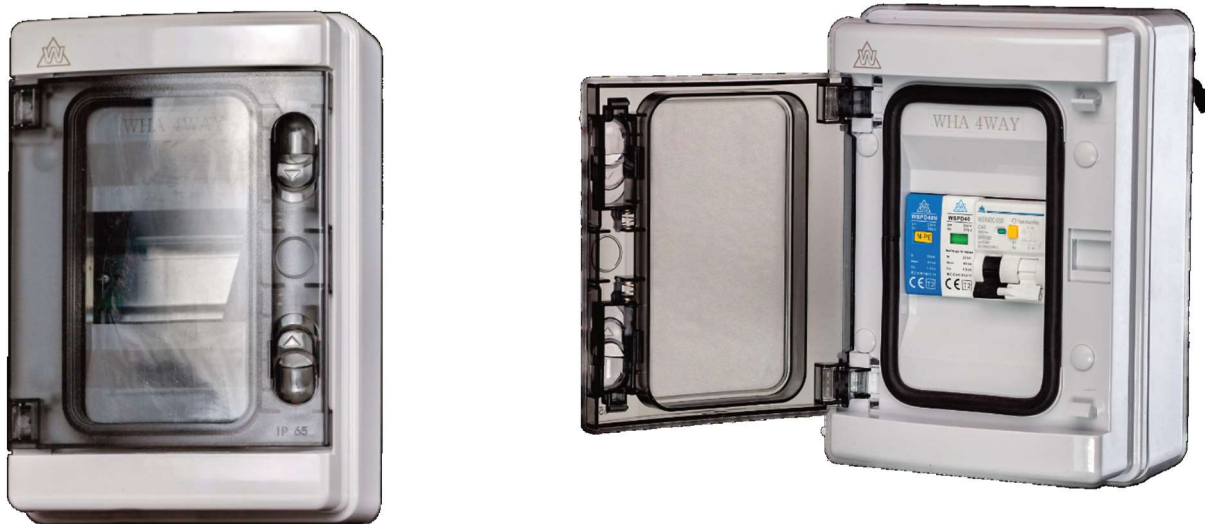


A-TYPE ELECTRIC VEHICLE RCBO ENCLOSURE (WEATHERPROOF) + SURGE

This unit provides earth leakage and overload protection for most electrical vehicle installations. The dual switch action indicates the type of fault detected. This unit also comes with surge protection.

A-type high immunity
6-40A current
30ma AC earth leakage
6ma DC earth leakage
IP65 weatherproof



ideal for EV charger
installation

A-TYPE ELECTRIC VEHICLE RCBO ENCLOSURE + SURGE

This unit provides earth leakage and overload protection for most electrical vehicle installations.
The dual switch action indicates the type of fault detected.

A-type high immunity
6-40A current
30ma AC earth leakage
6ma DC earth leakage

