



● Photovoltaic surge protection Device

Description

WSPV PV surge protection devices are designed to protect against lightning surge voltages in photovoltaic power supply network. Based on the use of specific varistors, providing a protection in common mode or common and differential mode

Key Features

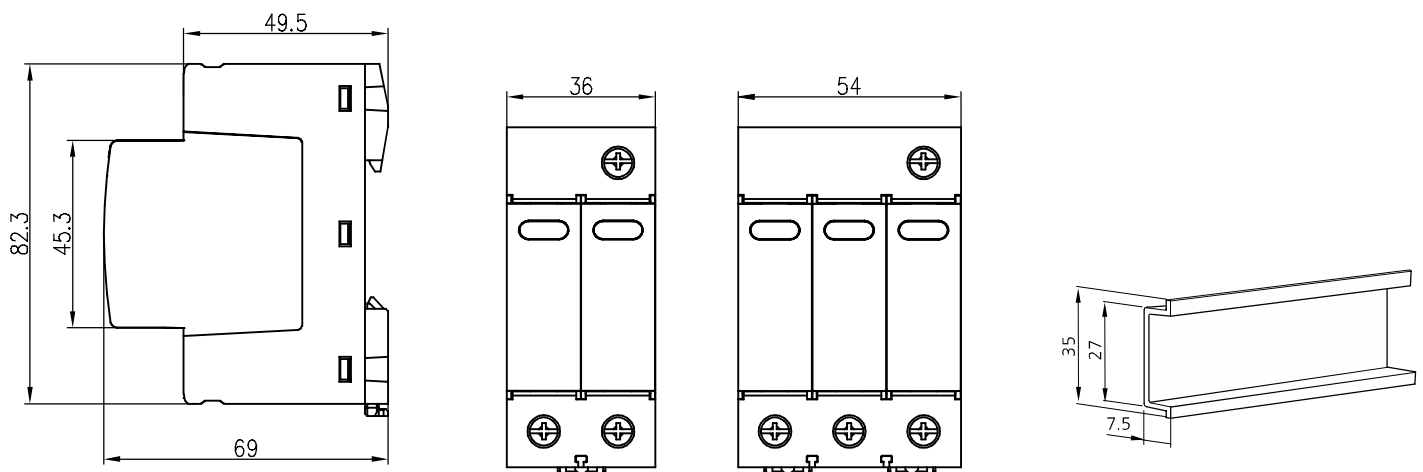
- Nominal discharge current: (In 8/20us) 20kA
- Max. Discharge current: (Imax 8/20us) 40kA
- Protection level $\leq 3.5KV$
- Flag indication: Green = Good / Red = Replace
- Plug-in module design with status indication
- Recommended Torque: 2.5N.m
- Complies with IEC61643-31 & EN 50539-11
- Surge protection device must be installed upstream of an RCD within the installation



Application

WSPV PV Surge Protection Device (SPD) for photovoltaic PV solar applications. For installation of DC side to protect the terminal device in a PV system, like solar panels and inverters against the effects of lightning surge current.

Part No	Description	Qty
WSPV600	600Vdc Photovoltaic surge protection Device (2 Mod)	120
WSPV1000	1000Vdc Photovoltaic surge protection Device (3 Mod)	60

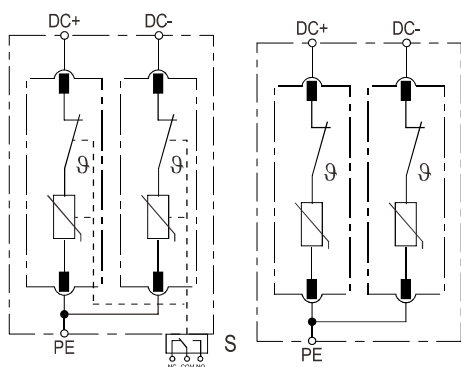




Technical Data

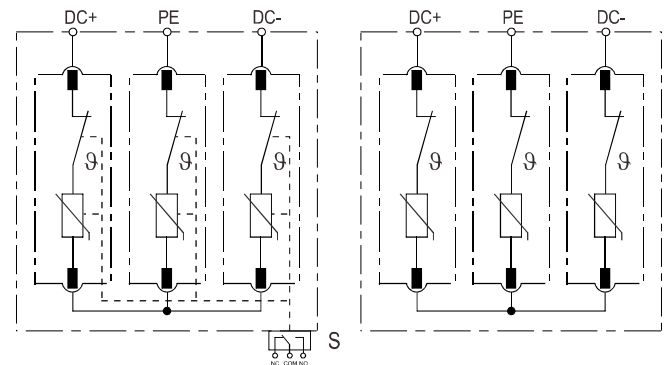
Product code	WSPV	
Type	Type2	
Network	PV network	
Pole	2 P	3P
Max. PV operating voltage U_{cpv}	600 Vdc	1000 Vdc
Current withstand short circuit PV I_{scpv}	15 000 A	
Nominal discharge current I_n	20 kA	
Max. discharge current I_{max}	40kA	
Protection level U_p	3.5kV	
Connection mode(s)	+/-/PE	
Connection to Network	By screw terminals: 2.5-25 mm ²	
Mounting	Symmetrical rail 35 mm (DIN 60715)	
Operating temperature	-40 / +85°C	
Protection rating	IP 20	
Visual Indication	Green=Good, Red=Replace	
Standards compliance	IEC 61643-31 / EN 50539-11	

WSPV600 600Vdc



PE Protective earth
S Signalling Contacts Optional

WSPV1000 1000Vdc



PE Protective earth
S Signalling Contacts Optional