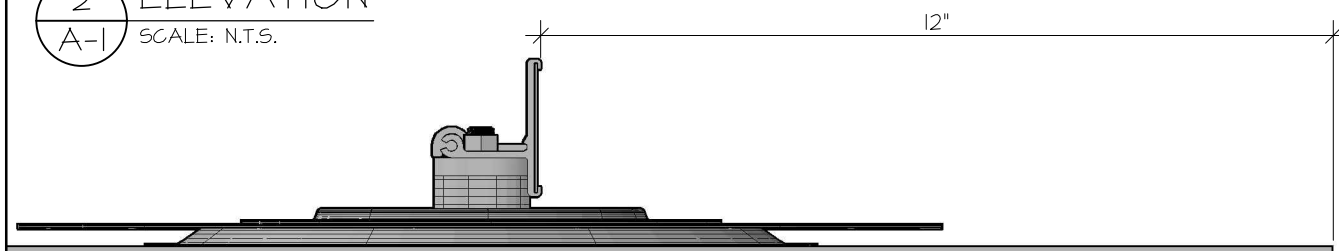


1 PLAN VIEW
A-1 SCALE: N.T.S.

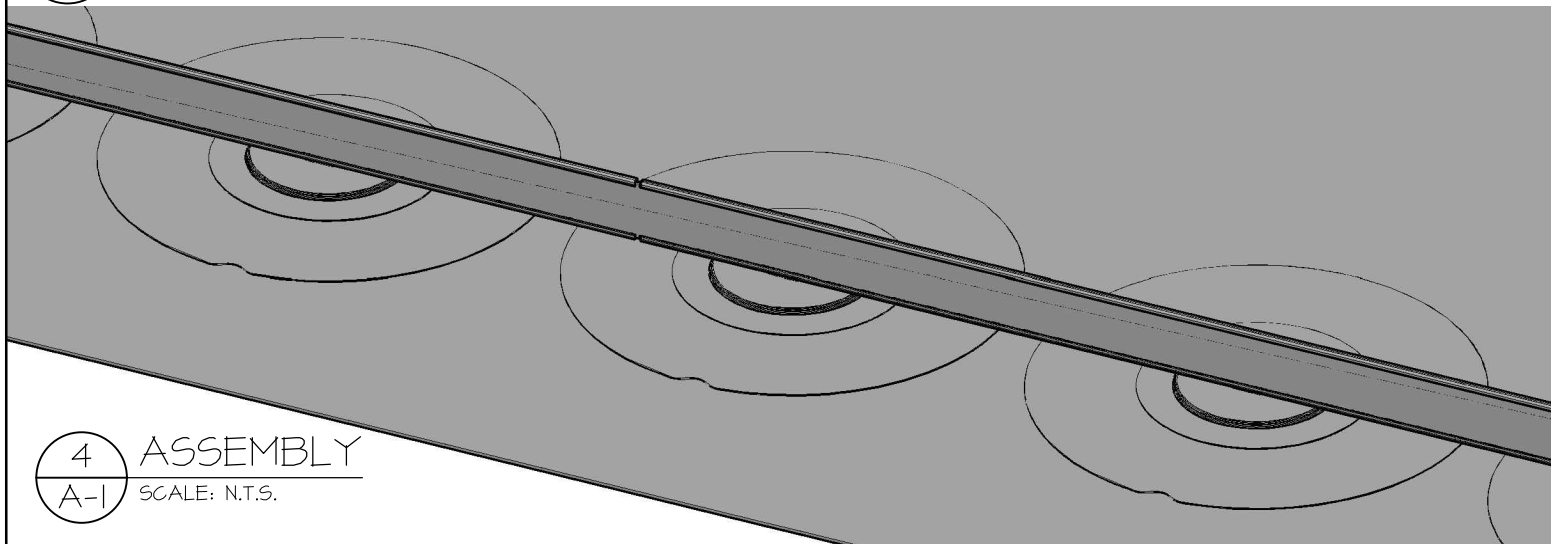
SPACE FOR THERMAL EXPANSION



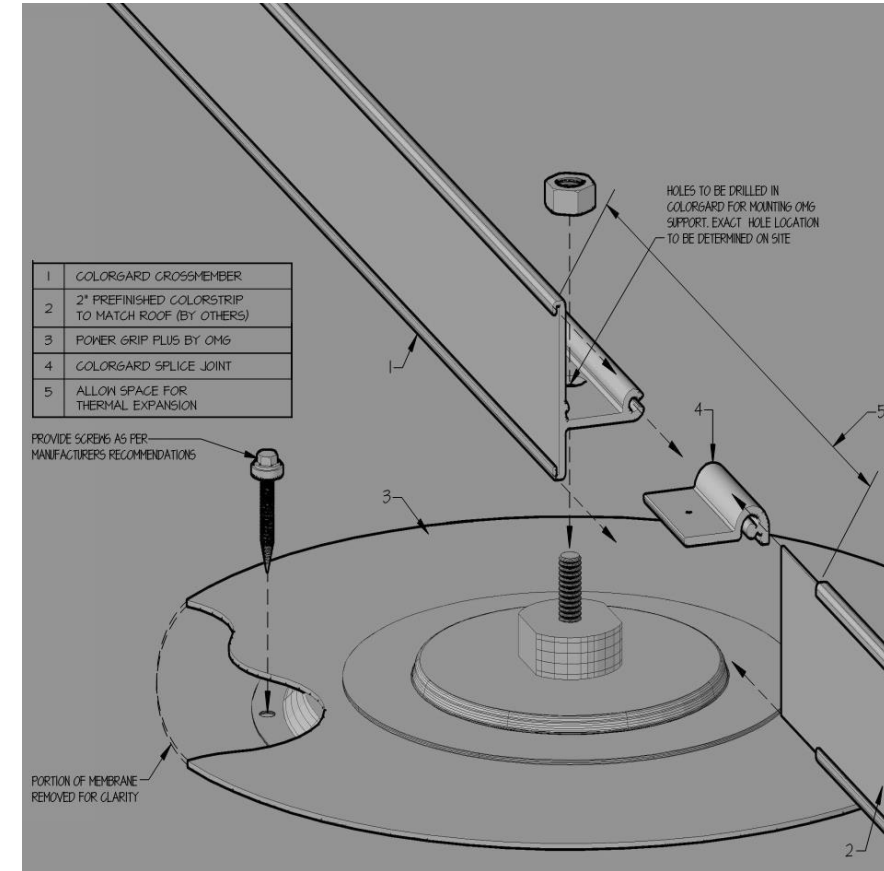
2 ELEVATION
A-1 SCALE: N.T.S.



3 SECTION
A-1 SCALE: N.T.S.



4 ASSEMBLY
A-1 SCALE: N.T.S.



2 Chisholm Court
Ajax, Ontario, L1S 4N8
647 932-5606, skyproducts.ca, s-5canada.ca

S-51® PRODUCTS ARE PROTECTED BY MULTIPLE U.S. PATENTS

DATE:
SCALE: AS NOTED