

V4 USER MANUAL

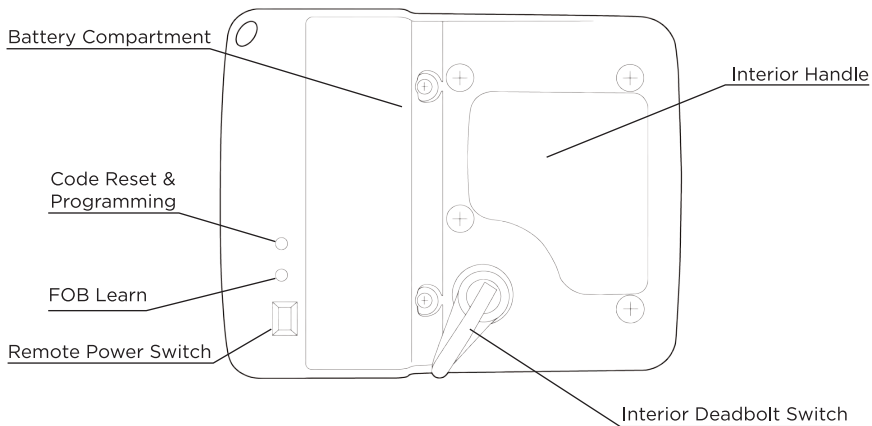
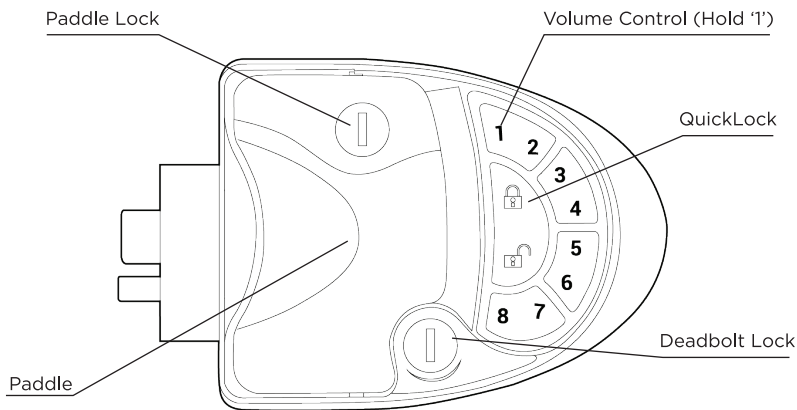
RVLOCK



1	Product Overview
2	Installation
3	Programming
4	Features
5	Troubleshooting



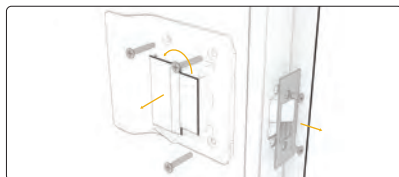
SCAN FOR VIDEO INSTRUCTIONS





01 Remove old handle.

Remove all existing hardware and thoroughly clean door handle area.



02 Install V4 handle into existing cutout.

A. Insert front portion of handle into door opening while carefully placing wires ahead of handle.

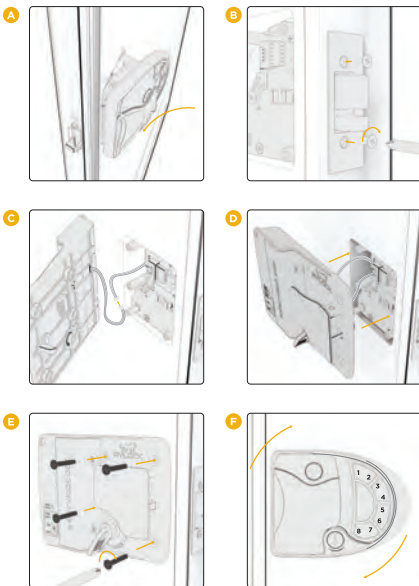
B. Align new strike plate and secure handle with the provided plate screws using a philips screwdriver.

C. Connect back portion wires to front portion wires of your handle.

D. Tuck excess wires into opening. Align back plate with your installed front portion while inserting paddle tooth into front handle housing. Avoid pinching any wires.

E. Using a screwdriver, install the 4 black machine screws. Do not fully tighten.

F. Adjust and straighten handle in opening. Once aligned, finish tightening backplate screws.





03 Program your handle.

You will have 30 seconds to complete programming. The default code on your handle is '1-2-3-4'

A. Hold the code reset button until the handle responds with a prompt. Follow the prompt to complete programming.

[Handle will request user to input a new 2-8 digit code followed by lock, twice.]

If you make a mistake, simply restart the steps above.

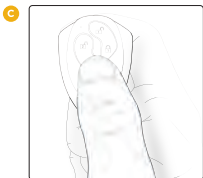
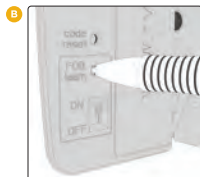
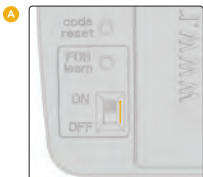


04 Program your remote.

A. Turn switch on back plate to "ON" to activate remote capabilities.

B. Press and release "FOB LEARN" using a pen or slim tool.

C. Press and release "LOCK" button on remote until handle confirms pairing.





- **Volume Control**

Hold the '1' button to toggle through volume settings. Your handle has a low, medium, high, and mute volume level.

- **QuickLock**

Hold the lock button to quickly lock your handle without entering your code.

- **X-Series Keys**

No more security worries! RVLock has high security laser cut keys that are unique to the V4. Your Handle has no master cylinder which reduces the risk of break-ins.

- **Low Battery Alert**

Most batteries last 6 months before depleting. When your batteries are running low, your handle will verbally notify you every time you actuate the handle.

- **360 Key Alike System**

Reduce the number of keys needed to access your rig by keying your entry handle alike with RVLock cam and baggage handles.

- **Pair Over 10 Remotes**

Supply family and friends with access to your rig by pairing additional remotes to your handle. RVLock handles can also connect to 10 different keyless handles.

- **Durō Keypad**

A new premium durable soft touch silicone entry pad that is more UV and water resistant.



For in-depth video tutorials and troubleshooting instructions visit help.rvlock.com

Deadbolt is not engaging or door is not locking	Adjust the alignment of the door jamb found on the door frame. Loosen screws of jamb and adjust the plate until it is properly aligned with the handle deadbolt.
Remote will not sync	<p>To ensure your fob remote has power, make sure you see a blue flashing light when pressing a button on the remote.</p> <p>The fob learn switch on the interior of the handle must be in the "ON" position when trying to connect and operate a fob. Be sure to press in the far corners of the buttons, directly on the lock/unlock symbol so it registers which button you are pressing.</p>
Handle is actuating on its own.	<p>If your handle is operating on its own, it is likely experiencing wiring or circuitry issues. Review all wired connections to verify no existing wires are damaged.</p> <p>If there is not wire damage, call RVLock support at 888-316-9899 to help determining if you are experiencing circuitry issues.</p>
Code programming is not working.	<p>Handles purchased before 2023 have different programming instructions. To find legacy instructions, visit www.rvlock.com.</p> <p>If programming does not work, hold the code reset button for 5 seconds to reset default code to '1-2-3-4'. Then, continue with restarting programming steps.</p>

RVLOCK



SCAN FOR INSTALLATION
VIDEOS & INSTRUCTIONS



888-316-9899



support@rvlock.com



help.rvlock.com