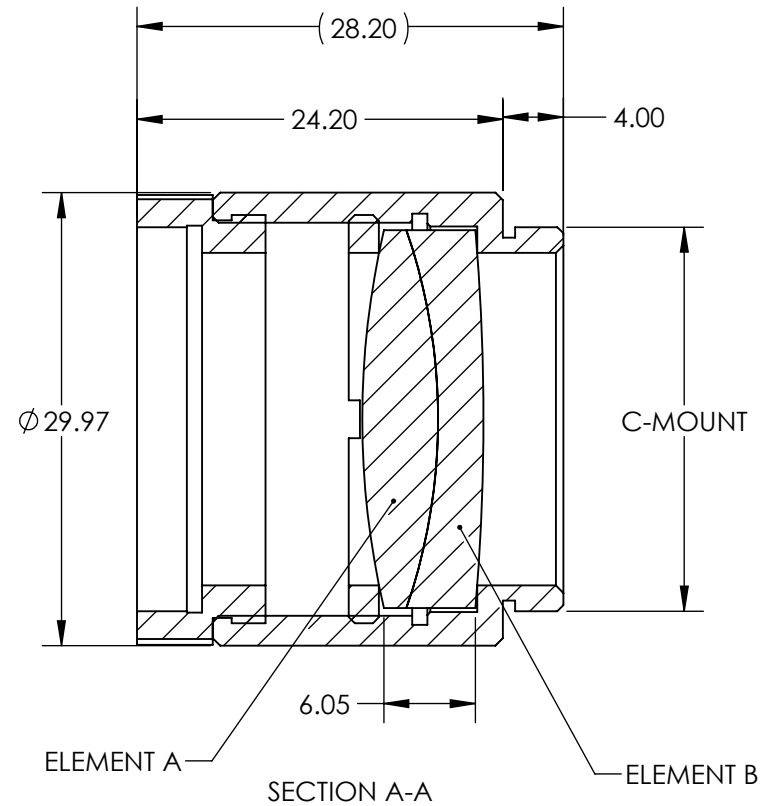
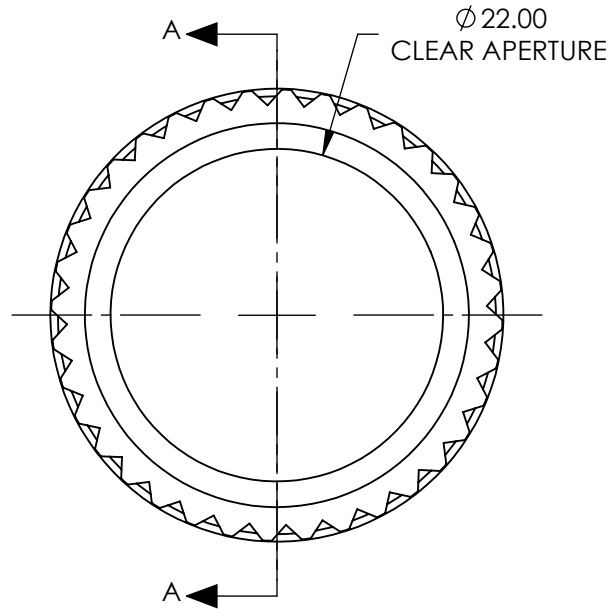


NOTES:

1. SUBSTRATE:  
ELEMENT A/ ELEMENT B  
N-SK11 / N-SF5
2. ROHS COMPLIANT
3. COATING (APPLY ACROSS COATING APERTURE)
4. S1 & S4: MgF2 (400-700nm)  
R(AVG)  $\leq 1.75\%$  @ 400 - 700nm
- S2 & S3: NONE
5. FOCAL LENGTH (EFL): 85.00  $\pm 2\%$   
FOCAL LENGTH (BFL) FROM MECHANICAL HOUSING: 75.91

**FOR INFORMATION ONLY:  
DO NOT MANUFACTURE  
PARTS TO THIS DRAWING**



SPECIFICATIONS SUBJECT TO CHANGE WITHOUT NOTICE  
DIMENSIONS ARE FOR REFERENCE ONLY

	ELEMENT A		ELEMENT B	
	S1	S2	S3	S4
SHAPE	CONVEX	CONVEX	CONCAVE	CONVEX
RADIUS	55.68	38.37	38.37	146.45
SURFACE QUALITY	40-20	40-20	40-20	40-20
POWER AT 632.8nm	$1.5\lambda$	$1.5\lambda$	$1.5\lambda$	$1.5\lambda$
IRREGULARITY AT 632.8nm	$\lambda/4$	$\lambda/4$	$\lambda/4$	$\lambda/4$

THIRD ANGLE PROJECTION

ALL DIMS IN

mm

**FOSCO.**  
FIBER OPTICS FOR SALE CO.

Fiber Optics For Sale Co.  
www.fo4sale.com

TITLE

22mm CA, 85mm FL, Mounted MgF2 Coated  
Achromatic Doublet Lens

DWG NO

E-13008

SHEET  
1 OF 1