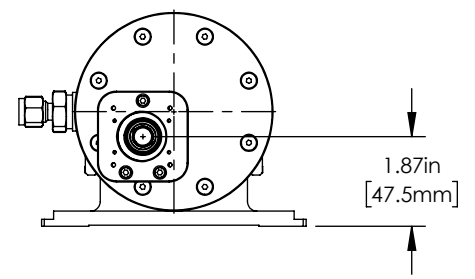
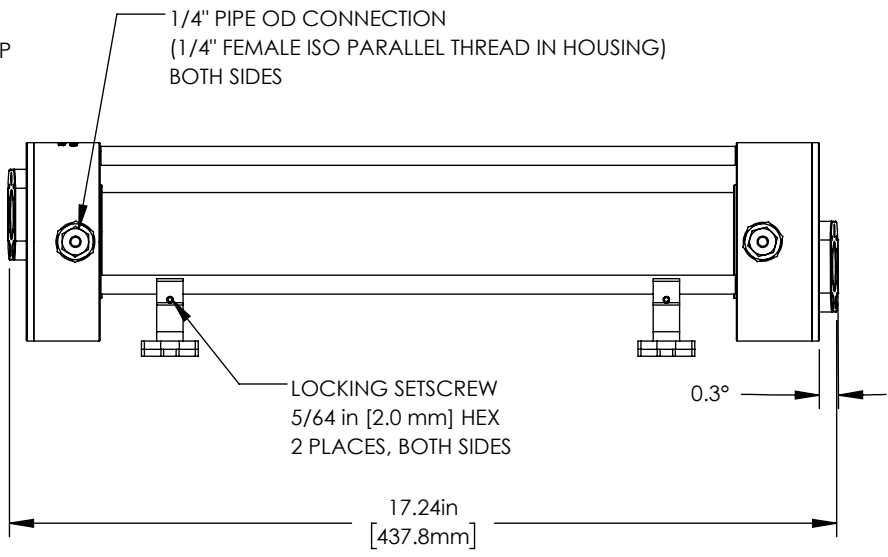
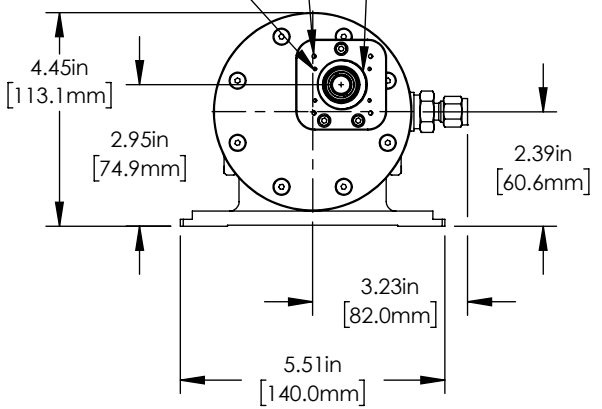


4-40 MOUNTING HOLE FOR USE WITH ER SERIES CAGE RODS 4 PLACES, BOTH SIDES

2-56 MOUNTING HOLE FOR USE WITH FIBERPORT 4 PLACES BOTH SIDES

SM1 (1.035in-40) SERIES THREAD 0.16in [4mm] DEEP BOTH SIDES



- NOTES
- 31.227 ±0.020 m optical path length, MIR enhanced gold coated mirrors, CaF₂ windows
 - 10⁻⁴ Torr to 2 atm supported pressure, ≈0.85l gas volume
 - Swagelok[®] Stainless Steel Tube Fitting (Male Connector) for a 1/4" Tube OD
 - Materials in contact with gas sample: Stainless Steel (1.4301), Borosilicate glass, FKM (Viton), CaF₂ (windows), UV fused silica & Gold with Protective Overcoat (mirrors), Aluminum, Torr Seal[®] Low Vapor Pressure Epoxy.

FOR INFORMATION ONLY
NOT FOR MANUFACTURING PURPOSES

DRAWING PROJECTION				Product Drawing	
		NAME	DATE	HERRIOTT CELL, 31.2 m OPL, 1/4" TUBE OD	
DRAWN	JN	20/JUN/19			
APPROVAL	PE	15/NOV/19		MATERIAL	REV A
				N/A	
VALUES IN PARENTHESIS ARE CALCULATED AND MAY CONTAIN ROUND OFF ERRORS				ITEM #	APPROX WEIGHT
				T-HC30L-M02	5.8 kg