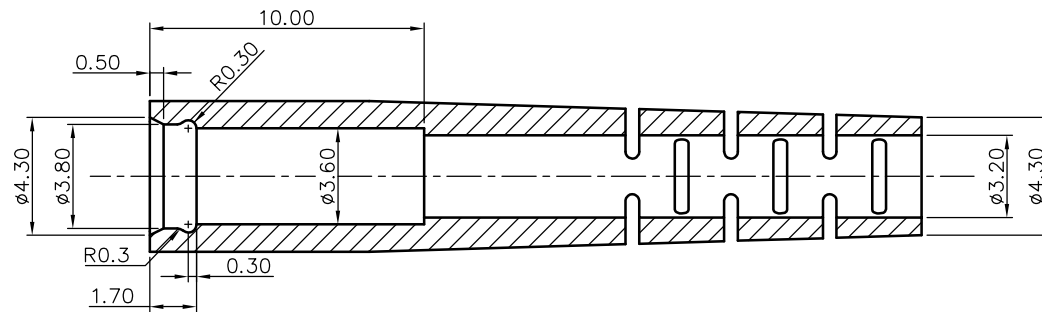
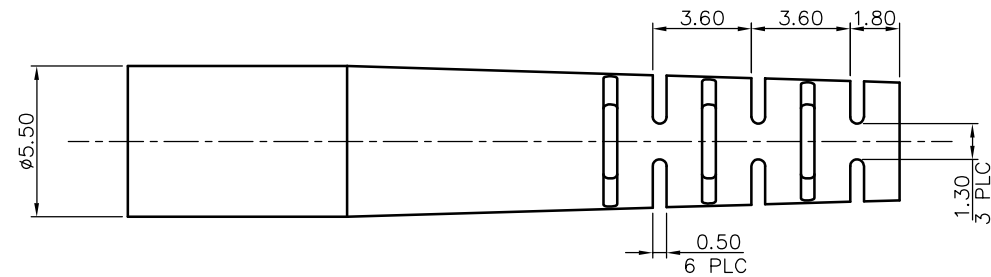
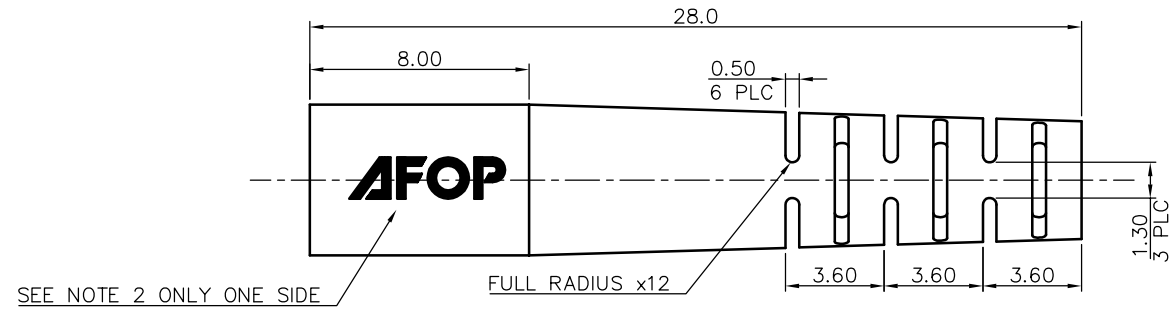


REV.	ECO. NO.	APPD.
C	C-00-089	



703-0048-012	WHITE
703-0047-012	BEIGE
703-0046-012	ORANGE
703-0045-012	BLUE
703-0044-012	RED
703-0043-012	GREEN
703-0042-012	YELLOW
703-0041-012	BLACK
P/N	COLOR

- NOTE:
1. MATERIAL: TPR 253-50.
 2. LETTER "AFOP" IS 1.5mm WIDTH x 0.05mm HEIGHT ABOVE SURFACE.
 3. NO SINK MARK OR BURRS PERMITTED.

x.±	x*.± 0.5*	UNITS mm	APRD:	 ALLIANCE FIBER OPTICS PRODUCTS INC. SUNNYVALE, CA, U.S.A.		
.X± 0.15	.X*±		QA:			
.XX± 0.08	.XX*±	SEE NOTES 1	CHKD:			
.XXX±	.XXX*±	FINISH	DR:			
<small>THESE DRAWINGS AND SPECIFICATIONS ARE THE PROPERTY OF ALLIANCE FIBER OPTICS PRODUCTS INC. AND SHALL NOT BE REPRODUCED COPIED OR USED IN ANY MANNER WITHOUT THE PRIOR WRITTEN CONSENT OF ALLIANCE FIBER OPTICS PRODUCTS INC.</small>				TITLE: 3MM BOOT, LC CONNECTOR DWG NO.: 703-0040-012		
			FILE NAME	SCALE	SHEET	REV.
				5/1	1/1	C