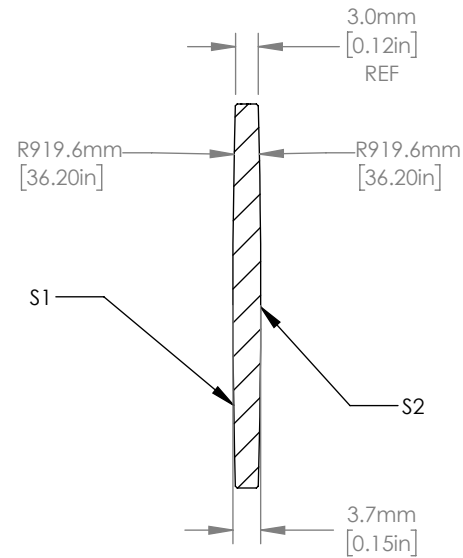
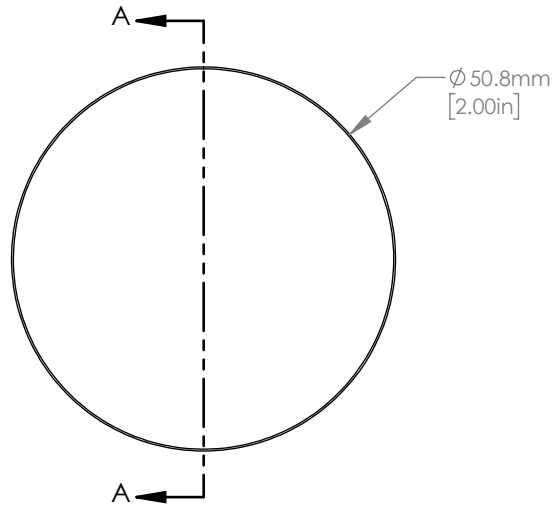




ISOMETRIC VIEW
SCALE: 1:1



SECTION A-A

NOTES/SPECIFICATIONS:

1. DESIGN WAVELENGTH: 587.6 nm
2. FOCAL LENGTH: $f=1003.5\text{ mm} \pm 1\%$
3. BACK FOCAL LENGTH(REF): $bf=1002.3\text{ mm}$
4. CLEAR APERTURE: $> \phi 45.72\text{ mm}$
5. SURFACE QUALITY: 40-20 SCRATCH-DIG
6. CENTRATION: $\leq 3\text{ arcmin}$
7. DIAMETER TOLERANCE: $+0.0/-0.1\text{ mm}$
8. THICKNESS TOLERANCE: $\pm 0.1\text{ mm}$
9. COATING(S1,S2): BBAR $R_{avg} < 1.0\%$ FROM 400 -1100 nm, 0° AOI

FOR INFORMATION ONLY
NOT FOR MANUFACTURING PURPOSES

DRAWING PROJECTION					Product Drawing	
	NAME	DATE	$\phi 50.8\text{ mm } f=1003.5\text{ mm UVFS}$ BI CONVEX LENS, -AB COAT			
DRAWN	YB	22/AUG/23	MATERIAL		REV	
APPROVAL	DD	11/SEP/23	UV FUSED SILICA		A	
VALUES IN PARENTHESIS ARE CALCULATED AND MAY CONTAIN ROUND OFF ERRORS			ITEM #		APPROX WEIGHT	
			T-LB4293-AB		14.93 g	