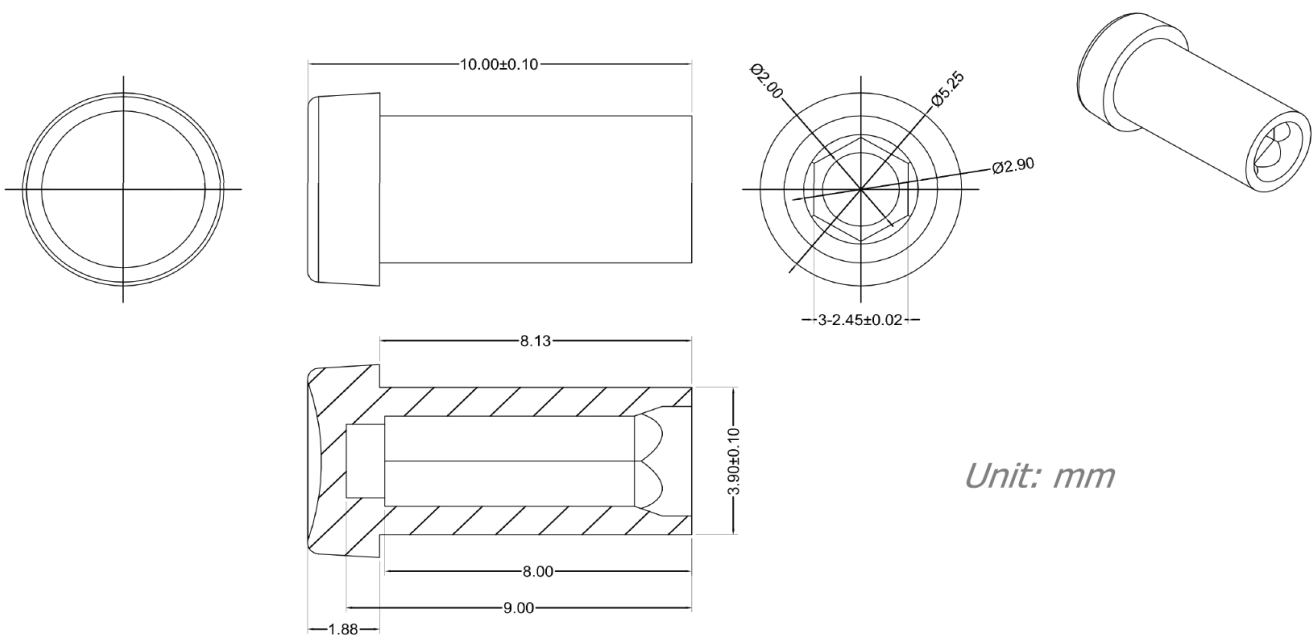


Universal Dust Cap For 2.5mm Ferrules. Fits FC, SC And ST Ferrules. Clear Color, 100 Pcs/Pack

Mooseline Part No.: CAPB-B

Technical Specification:

Name	Universal Dust Cap For 2.5mm Ferrules
Part No	CAPB-B
Color	Clear Color
Fit	FC, SC And ST Ferrules
Function	Dust prevention
Material	PE (Polyethylene)
Package	100 PCS/Plastic bag
Durability	1000 times
Storage Temperature	-70°C to +85°C
Operating Temperature	-70°C to +85°C
Technology drawing	According the below



Unit: mm