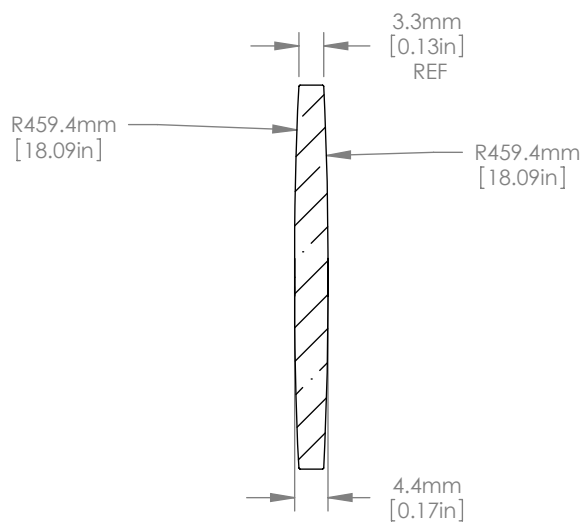
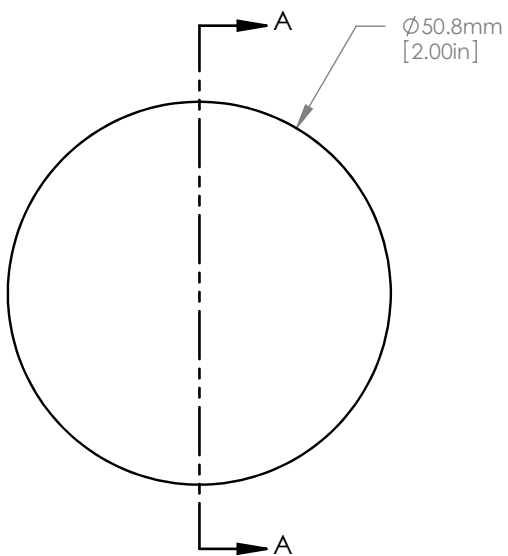


SCALE 1:1



NOTES/SPECIFICATIONS:

1. DESIGN WAVELENGTH: 588nm
2. FOCAL LENGTH:  $f=500.0\text{mm} \pm 1\%$
3. BACK FOCAL LENGTH(REF):  $bf=498.5\text{mm}$
4. CLEAR APERTURE:  $>90\%$
5. SURFACE QUALITY: 40-20 SCRATCH-DIG
6. CENTRATION:  $\leq 3\text{arcmin}$
7. DIAMETER TOLERANCE:  $+0.0/-0.1\text{mm}$
8. THICKNESS TOLERANCE:  $\pm 0.1\text{mm}$

FOR INFORMATION ONLY  
NOT FOR MANUFACTURING PURPOSES

DRAWING PROJECTION			Product Drawing	
DRAWN	GG	DATE	D=50.8mm F=500.0mm UVFS BI CONVEX LENS	
APPROVAL	JC	13/DEC/10	MATERIAL	REV
VALUES IN PARENTHESIS ARE CALCULATED AND MAY CONTAIN ROUND OFF ERRORS			UV GRADE FUSED SILICA	C
			ITEM #	APPROX WEIGHT
			T-LB4910	0.04 kg