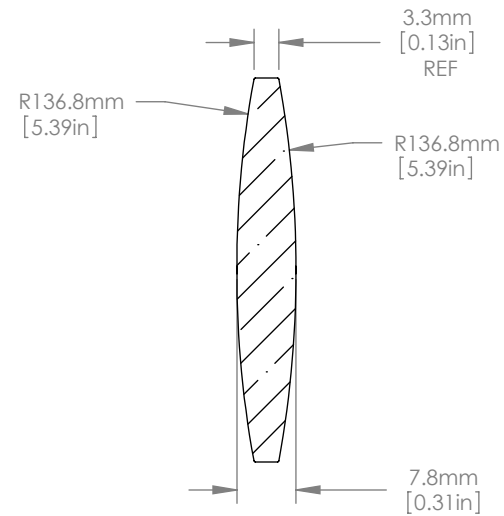
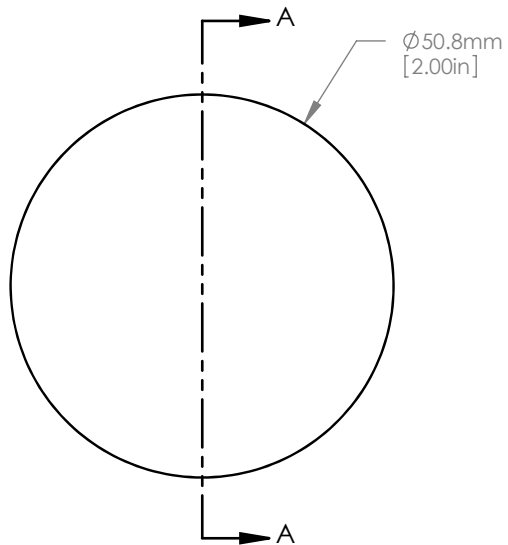


SCALE 1:1



NOTES/SPECIFICATIONS:

1. DESIGN WAVELENGTH: 588nm
2. FOCAL LENGTH: $f=150.0\text{mm} \pm 1\%$
3. BACK FOCAL LENGTH(REF): $bf=147.3\text{mm}$
4. CLEAR APERTURE: $>90\%$
5. SURFACE QUALITY: 40-20 SCRATCH-DIG
6. CENTRATION: $\leq 3\text{arcmin}$
7. DIAMETER TOLERANCE: $+0.0/-0.1\text{mm}$
8. THICKNESS TOLERANCE: $\pm 0.1\text{mm}$

FOR INFORMATION ONLY
NOT FOR MANUFACTURING PURPOSES

| | | | | |
|---|------|-----------|---|---------------|
| DRAWING PROJECTION | | | Product Drawing | |
| | NAME | DATE | D=50.8mm F=150.0mm UVFS BI CONVEX LENS | |
| DRAWN | GG | 15/NOV/10 | MATERIAL | REV |
| APPROVAL | JC | 13/DEC/10 | UV GRADE FUSED SILICA | C |
| VALUES IN PARENTHESIS ARE CALCULATED AND MAY CONTAIN ROUND OFF ERRORS | | | ITEM # | APPROX WEIGHT |
| | | | T-LB4140 | 0.04 kg |