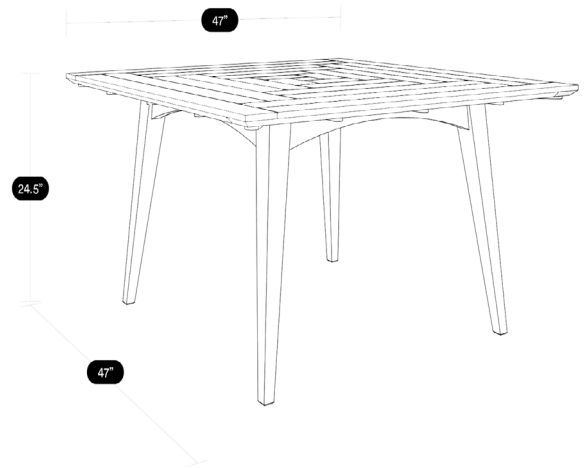


General Information

Thank you for purchasing our product! Please refer to this assembly manual and make sure all pieces are complete before starting. Keep for future reference. When assembling, we recommend placing all wooden parts on a soft, clean and flat surface.

If you need any assistance during the assembly process, please contact our Customer Service Team at (615) 953 - 9373, email support@masaya.com or via live chat at www.masayacompany.com



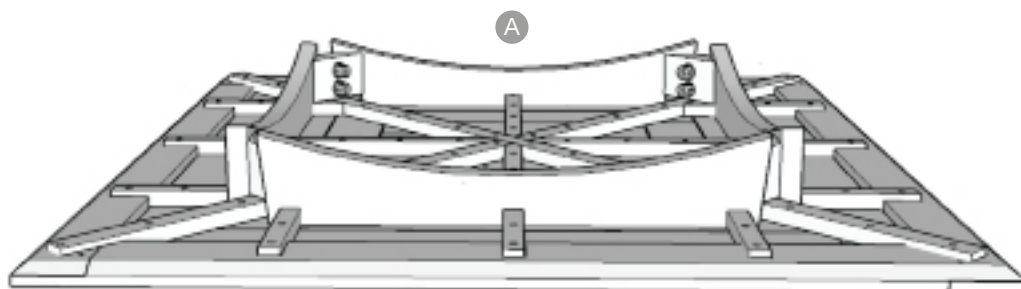
Component inventory

ID	Description	Qty	Image Ref
A	Table Top	1	
B	Legs	4	
C	Hex Nut	16	
D	Flat Washer	8	



Step 1

Place the top face down on an elevated and soft surface.



Step 2

Attach the legs. Fix side frame with threaded rod on the backrest, fix with hex nut and flat washer.

