







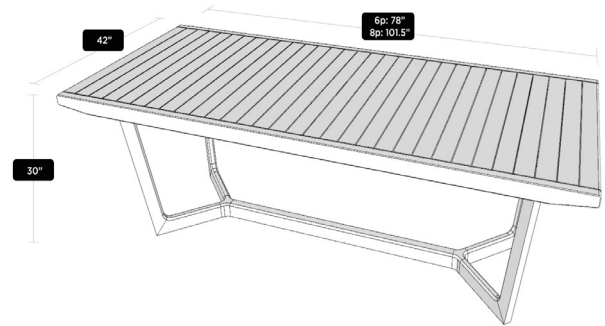
General Information

Thank you for purchasing our product! Please refer to this assembly manual and make sure all pieces are complete before starting. Keep for future reference. When assembling, we recommend placing all wooden parts on a soft, clean and flat surface.

If you need any assistance during the assembly process, please contact our Customer Service Team at (615) 953 - 9373, email support@masaya.com or via live chat at www.masayacompany.com

Component inventory

ID	Description	Qty	Image
A	Table Top	1	
B	Legs	2	
C	Wood Rail	1	
D	Decorative Head Bolt x 3/4"	16	
E	Decorative Head Bolt x 3 1/2"	8	
F	Allen Hex Key	1	



20 Min



2



Easy

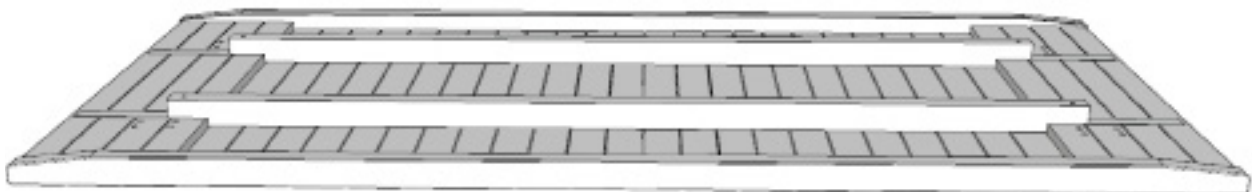


Allen Hex Key

Step 1

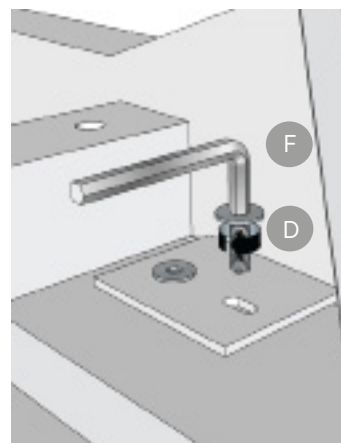
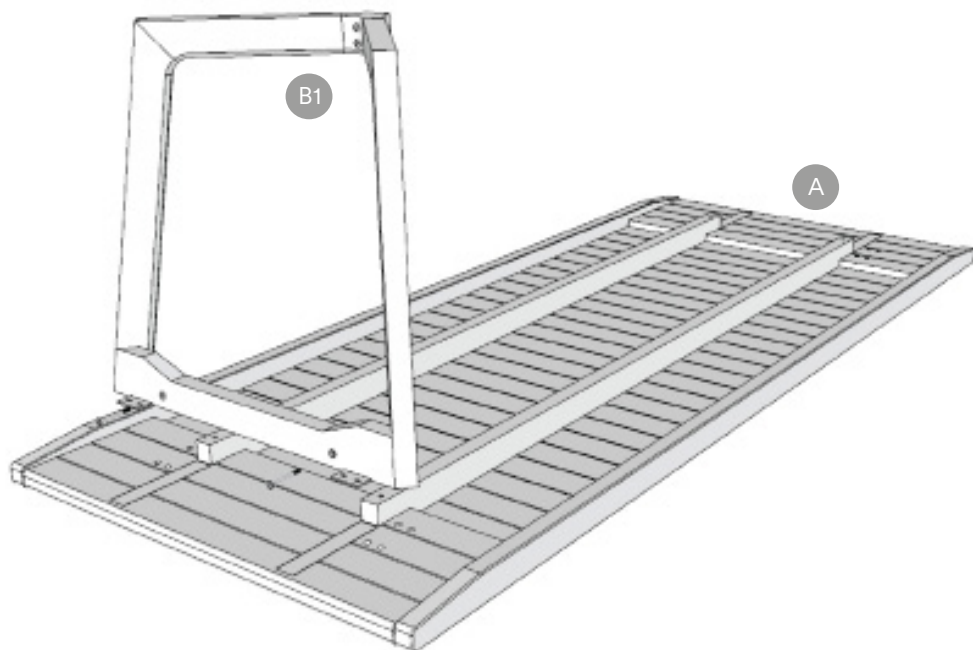
Place the top face down on an elevated and soft surface.

A



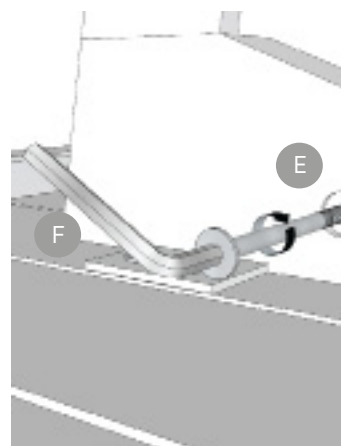
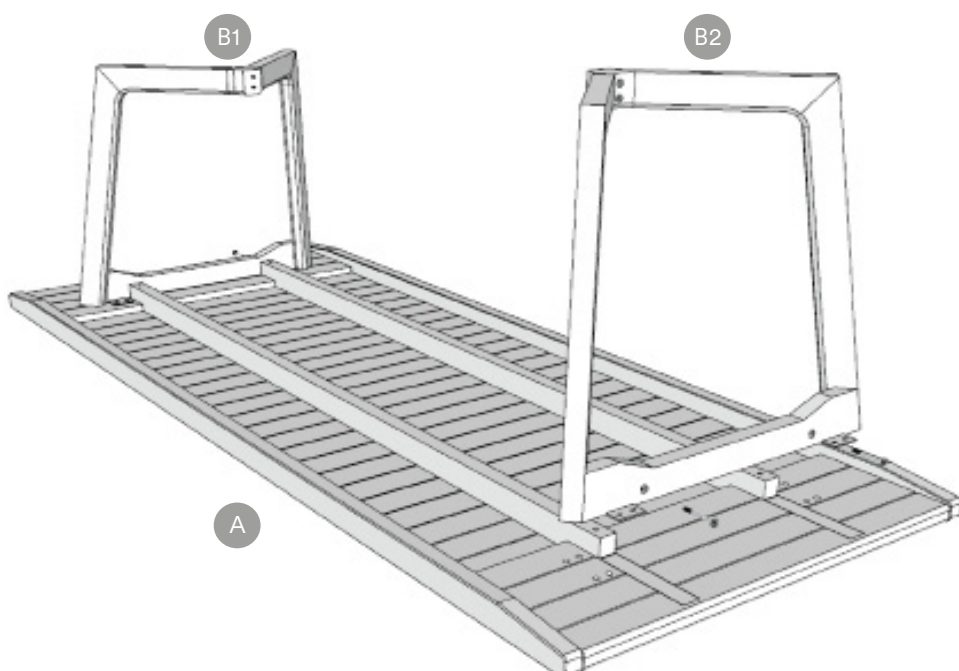
Step 2

Place one of the legs on the table top and attach the platen in place.



Step 3

Add the screws as shown in the figure. Repeat Step 2 and 3 for the other leg.



Step 4

Fixed the wood rail in place with remaining screws.

