



Thank you for supporting our mission to create a greener planet through reforestation. Before starting, please make sure all pieces listed in this manual are complete. And save this manual for future reference.

When assembling, we recommend placing all wooden parts on a soft, clean and flat surface to avoid scratches and damage while assembling your brand new MasayaCo piece.

**Need any assistance?**

Feel free to contact our Customer Service Team.

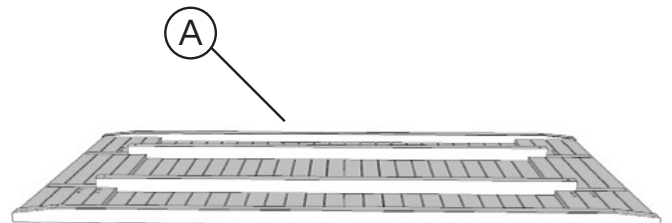
(615) 953 - 9373,  
[customerservice@masayacompany.com](mailto:customerservice@masayacompany.com)  
 or using our chat on [www.masayacompany.com](http://www.masayacompany.com)

20 Min 2 people Allen Hex Key

ID	Description	Qty	Reference
(A)	Table Top	1	
(B)	Leg & Supports	2	
(C)	Wood Rail	1	
(D)	Decorative Head Bolt x 3/4"	16	
(E)	Decorative Head Bolt x 3 1/2"	8	
(F)	Allen Hex Key	1	

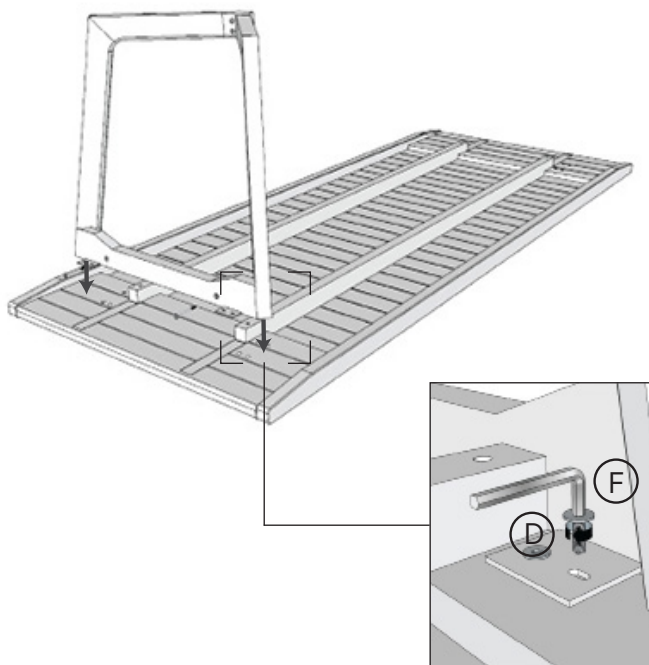
**Step 1**

Place the table top (Piece A) face down on an elevated and soft surface.



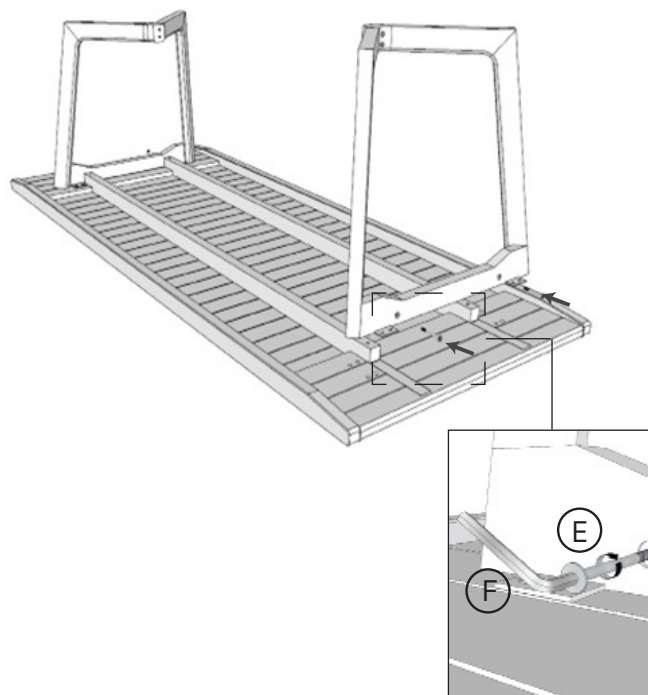
## Step 2

Place one of the legs (Piece B) on the table top and attach the platen in place.



## Step 3

Add the screws as shown in the figure. Repeat Step 2 and 3 for the other leg.



## Step 4

Fixed the wood rail (Piece C) in place with remaining screws.

