



Thank you for supporting our mission to create a greener planet through reforestation. Before starting, please make sure all pieces listed in this manual are complete. And save this manual for future reference.

When assembling, we recommend placing all wooden parts on a soft, clean and flat surface to avoid scratches and damage while assembling your brand new MasayaCo piece.

Need any assistance?

Feel free to contact our Customer Service Team.

(615) 953 - 9373,





customerservice@masayacompany.com

or using our chat on www.masayacompany.com

⌚ 15 Min

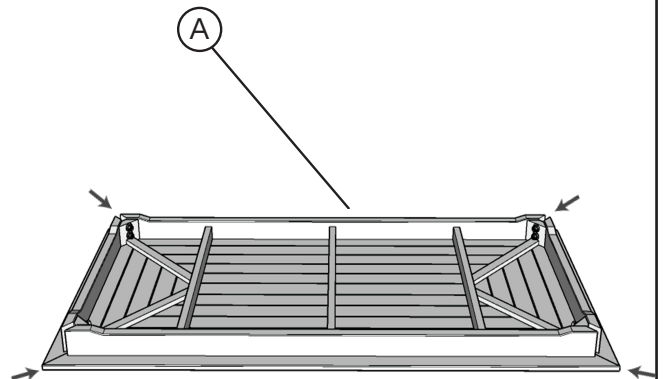
👤 1 person

🔧 Wrench

ID	Description	Qty	Reference
Ⓐ	Table Top	1	
Ⓑ	Legs	4	
Ⓒ	Hex Nut	16	
Ⓓ	Flat Washer	8	

Step 1

Place the table top (Piece A) face down on an elevated and soft surface.



Step 2

Attach the legs (Piece B). Fix side frame with threaded rod on the backrest, fix with hex nut and flat washer.

