



Thank you for supporting our mission to create a greener planet through reforestation. Before starting, please make sure all pieces listed in this manual are complete. And save this manual for future reference.

When assembling, we recommend placing all wooden parts on a soft, clean and flat surface to avoid scratches and damage while assembling your brand new MasayaCo piece.

Need any assistance?

Feel free to contact our Customer Service Team.

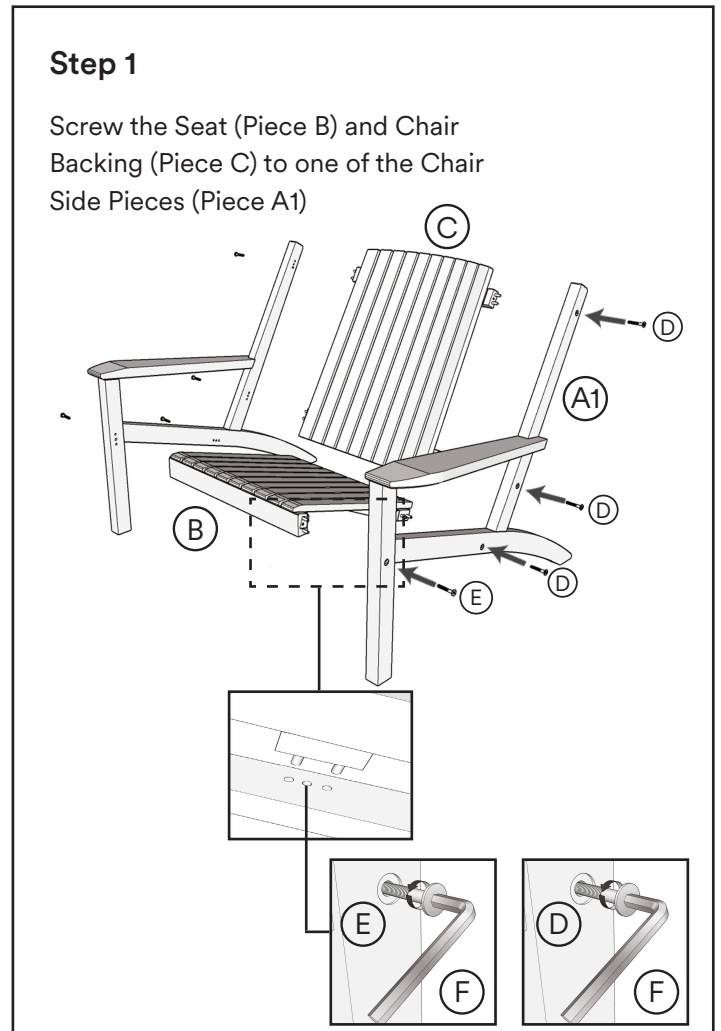
(615) 953 - 9373,

customerservice@masayacompany.com

or using our chat on www.masayacompany.com

⌚ 30 Min 👤 2 people 🔑 Allen Hex Key

ID	Description	Qty	Reference
(A1)	Chair side Right	1	
(A2)	Chair side Left	1	
(B)	Seat	1	
(C)	Chair Backing	1	
(D)	Decorative head bolts x 1.772".	6	
(E)	Decorative head bolts x 2-23/64".	2	
(F)	Allen Hex Key	1	



Step 2

Screw the remaining Chair Side Piece (Piece A2) to complete the furniture.

