



Thank you for supporting our mission to create a greener planet through reforestation. Before starting, please make sure all pieces listed in this manual are complete. And save this manual for future reference.

When assembling, we recommend placing all wooden parts on a soft, clean and flat surface to avoid scratches and damage while assembling your need MasayaCo piece.

Need any assistance?

Feel free to contact our Customer Service Team.

(615) 953 - 9373,

support@masaya.com

or using our chat on www.masayacompany.com

15 Min

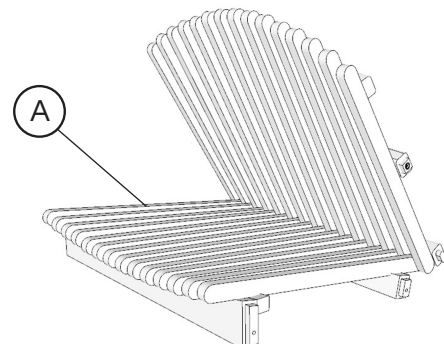
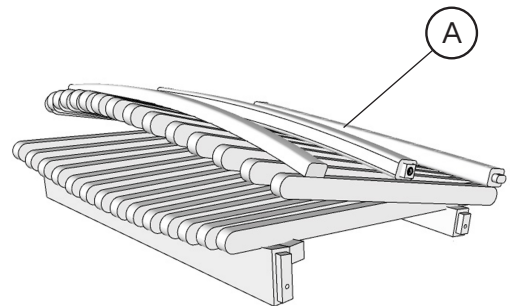
1 person

Allen Hex Key

ID	Description	Qty	Reference
(A)	Chair backing & Seat	1	
(B-1)	Chair side Right	1	
(B-2)	Chair side Left	1	
(C)	Decorative Head Bolt x 3 - 1/2"	4	
(D)	Decorative Head Bolt x 1 - 1/2"	2	
(E)	Allen Hex Key	1	

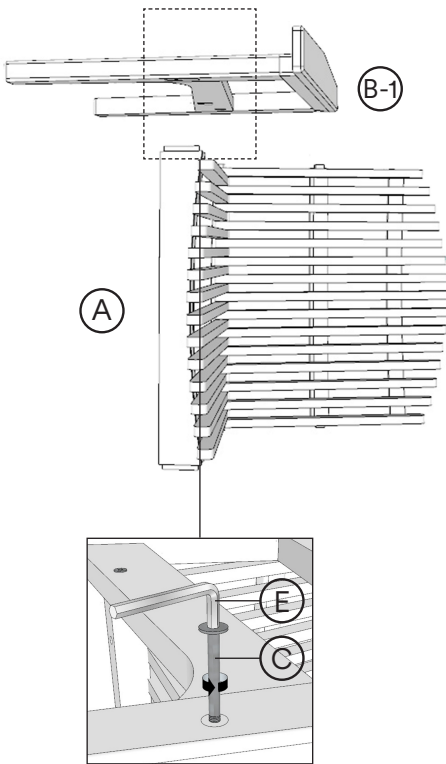
Step 1

Unfold the Seat and Chair Backing (Piece A).



Step 2

Screw the Seat and Chair Backing (Piece A) to one of the Chair Side Pieces (Piece B-1).



Step 3

Screw the remaining Chair Side Piece to complete the furniture (Piece B-2).

