



Thank you for supporting our mission to create a greener planet through reforestation. Before starting, please make sure all pieces listed in this manual are complete. And save this manual for future reference.

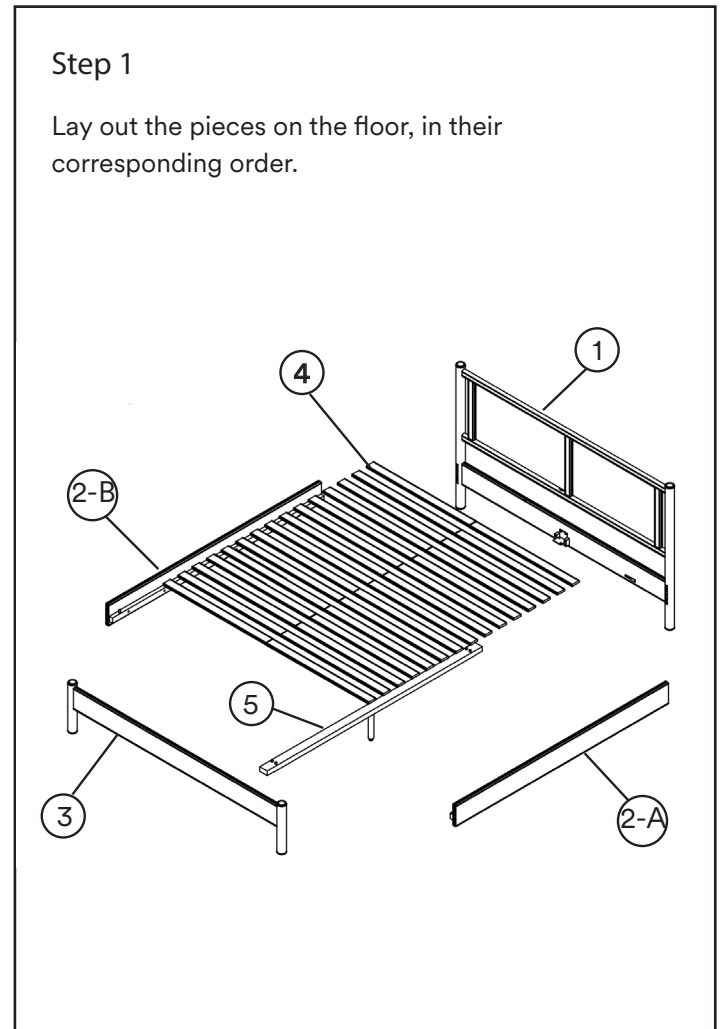
When assembling, we recommend placing all wooden parts on a soft, clean and flat surface to avoid scratches and damage while assembling your brand new MasayaCo piece.

Need any assistance?
Feel free to contact our Customer Service Team.

(615) 953 - 9373,
customerservice@masayacompany.com
or using our chat on www.masayacompany.com

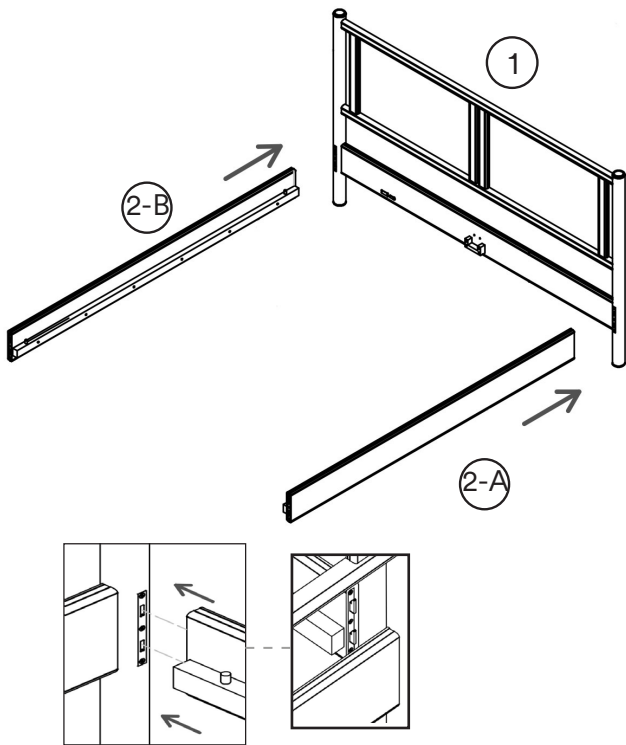
45 Min 2 people Electric Drill

ID	Description	Qty	Reference
1	Headboard	1	
2	Side Frame	2	
3	Footboard	1	
4	Slatted Mattress	2	
5	Mattress Holder	1	
6	Flat Screw Head #10 of 1"	4	



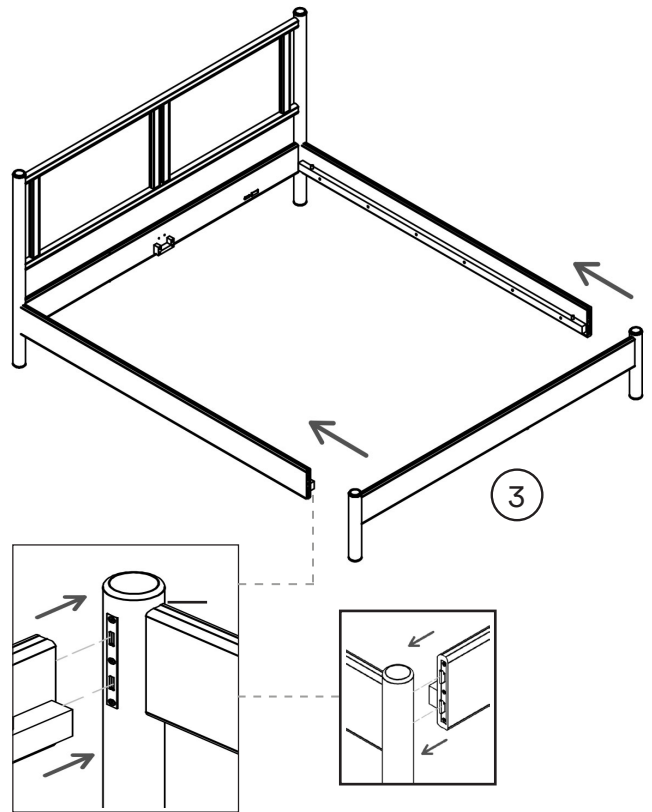
Step 2

Attach the side frames to the headboard using the lace system on the ends



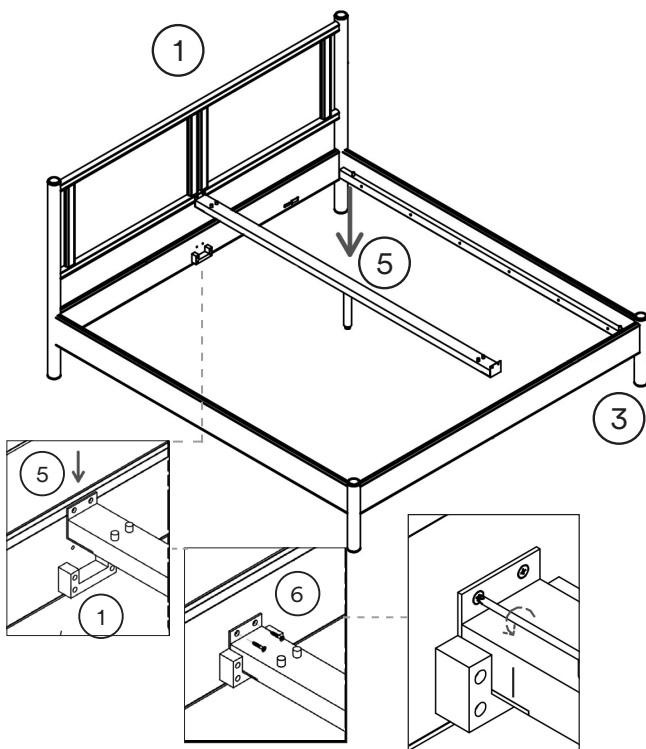
Step 3

Repeat the previous step to place the footboard on the side frame.



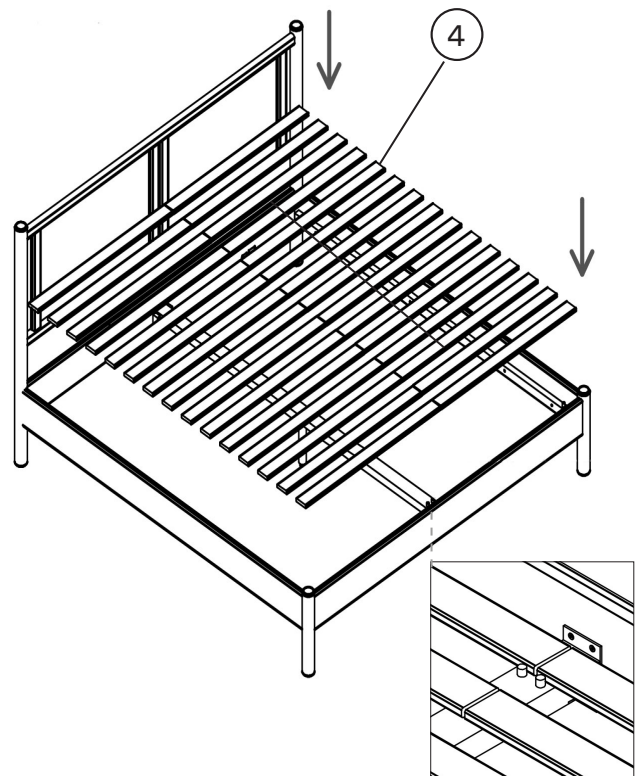
Step 4

Add the Mattress Holder and fasten them in place. then add the 1.0" screws into their place using an electric drill until you adjust.



Step 5

Lastly, add the slatted mattress in place (Pieces 4). Then place the rules between the guide spikes.





Thank you for supporting our mission to create a greener planet through reforestation. Before starting, please make sure all pieces listed in this manual are complete. And save this manual for future reference.

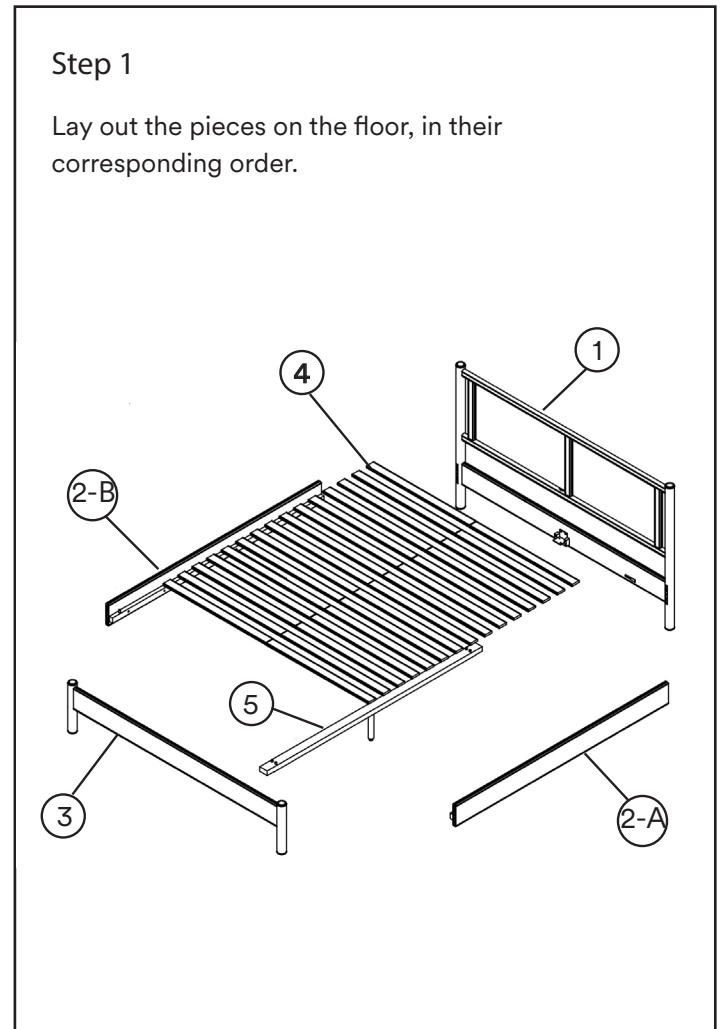
When assembling, we recommend placing all wooden parts on a soft, clean and flat surface to avoid scratches and damage while assembling your brand new MasayaCo piece.

Need any assistance?
Feel free to contact our Customer Service Team.

(615) 953 - 9373,
customerservice@masayacompany.com
or using our chat on www.masayacompany.com

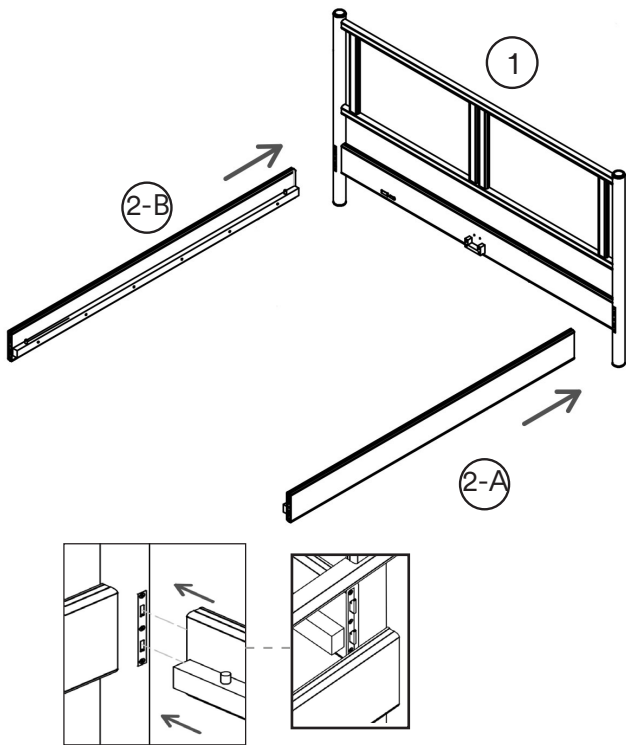
45 Min 2 people Electric Drill

ID	Description	Qty	Reference
1	Headboard	1	
2	Side Frame	2	
3	Footboard	1	
4	Slatted Mattress	2	
5	Mattress Holder	1	
6	Flat Screw Head #10 of 1"	4	



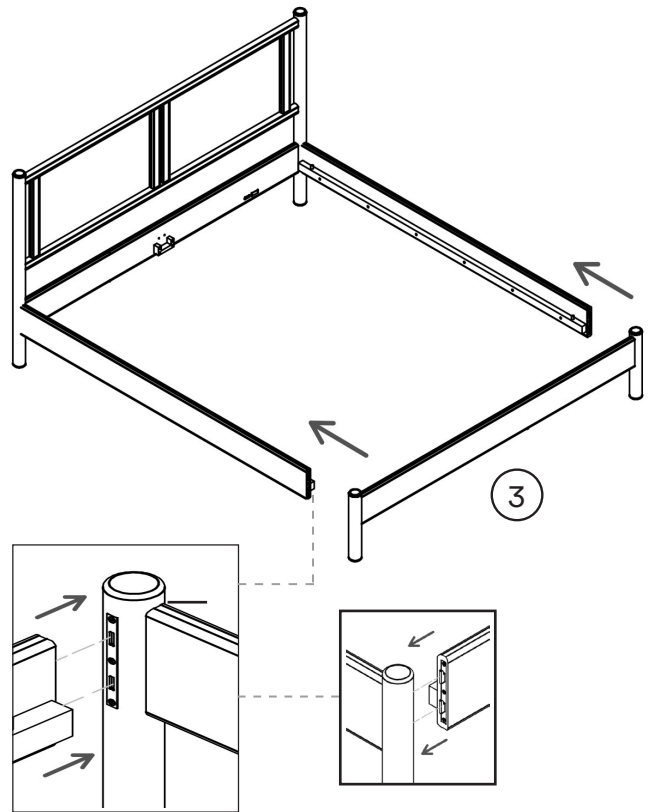
Step 2

Attach the side frames to the headboard using the lace system on the ends



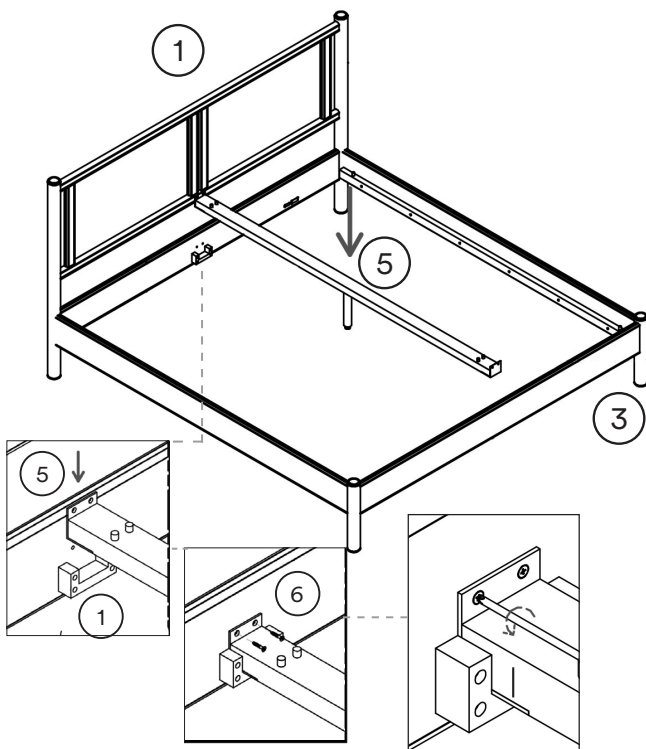
Step 3

Repeat the previous step to place the footboard on the side frame.



Step 4

Add the Mattress Holder and fasten them in place. then add the 1.0" screws into their place using an electric drill until you adjust.



Step 5

Lastly, add the slatted mattress in place (Pieces 4). Then place the rules between the guide spikes.

