



Thank you for supporting our mission to create a greener planet through reforestation. Before starting, please make sure all pieces listed in this manual are complete. And save this manual for future reference.

When assembling, we recommend placing all wooden parts on a soft, clean and flat surface to avoid scratches and damage while assembling your brand new MasayaCo piece.

Need any assistance?

Feel free to contact our Customer Service Team.

(615) 953 - 9373,

customerservice@masayacompany.com

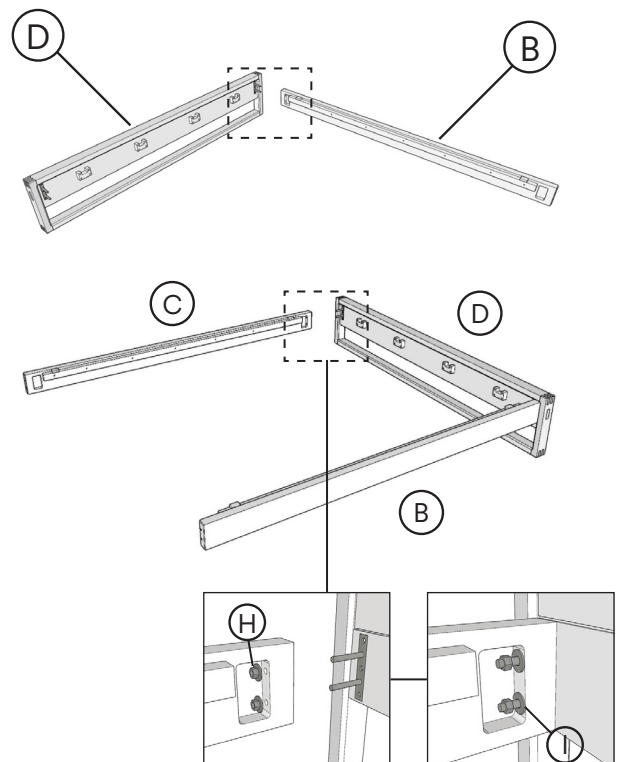
or using our chat on www.masayacompany.com

⌚ 45 Min 👤 2 People 🛠️ Wrench

ID	Description	Qty	Reference
(A)	Headboard	1	
(B)	Side Frame Right	1	
(C)	Side Frame Left	1	
(D)	Footboard	1	
(E)	Slatted mattress	2	
(F)	Slatted mattress holders - A	2	
(G)	Slatted mattress holders - B	2	
(H)	Hex nut	8	
(I)	Flat washer	8	

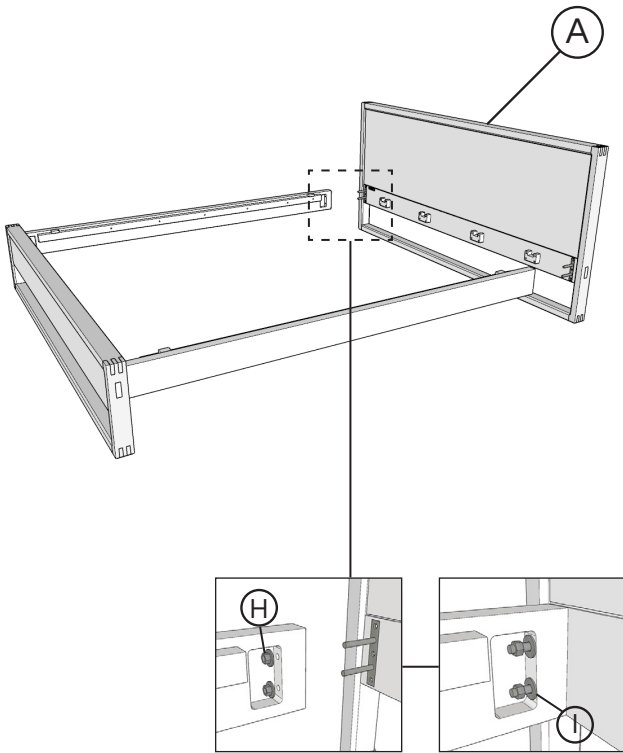
Step 1

Frame Assembly. Join the Right Side Frame (Piece B) with the Footboard (Piece D). Repeat with the Left Side Frame (Piece C).



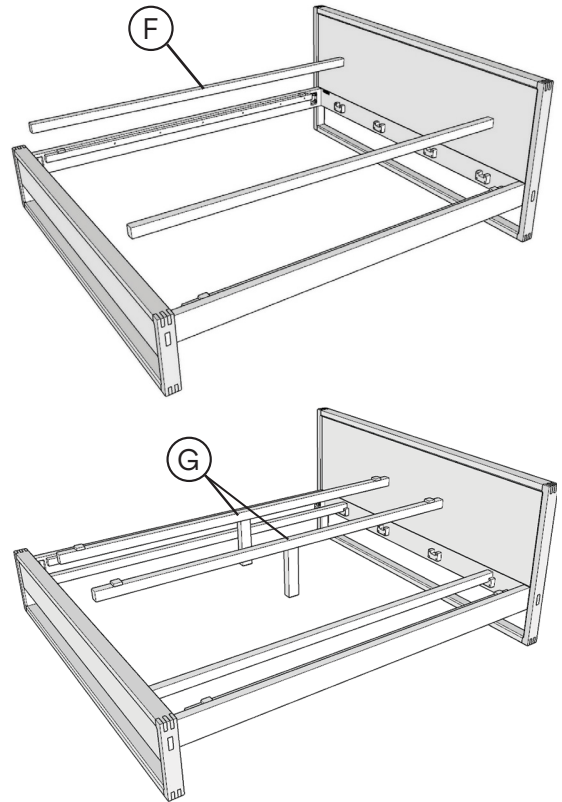
Step 2

Join the Headboard (Piece A) with the previously joint pieces.



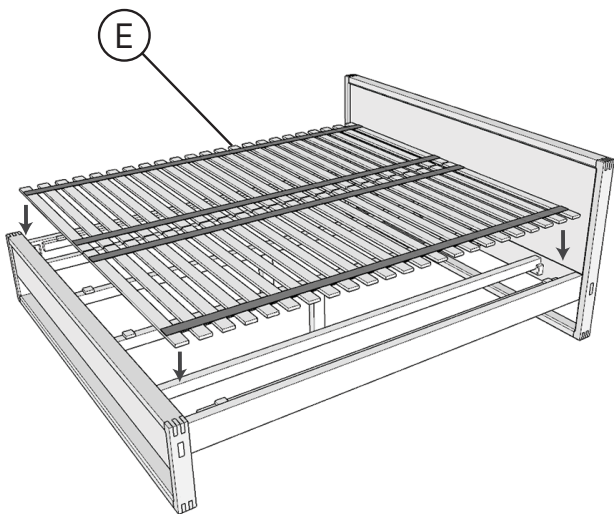
Step 3

Add the Mattress Holder. Add the G Pieces in the center hooks and the F Pieces in the side hooks.



Step 4

Add the Mattress Slats (Piece E) to complete the bed.





Thank you for supporting our mission to create a greener planet through reforestation. Before starting, please make sure all pieces listed in this manual are complete. And save this manual for future reference.

When assembling, we recommend placing all wooden parts on a soft, clean and flat surface to avoid scratches and damage while assembling your brand new MasayaCo piece.

Need any assistance?

Feel free to contact our Customer Service Team.

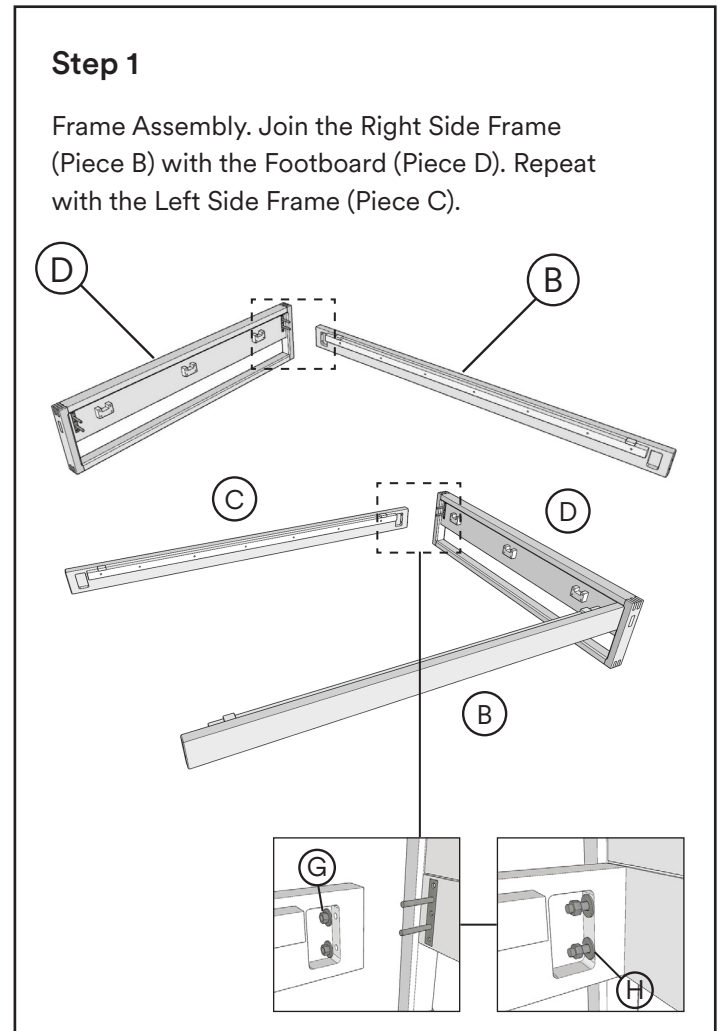
(615) 953 - 9373,

customerservice@masayacompany.com

or using our chat on www.masayacompany.com

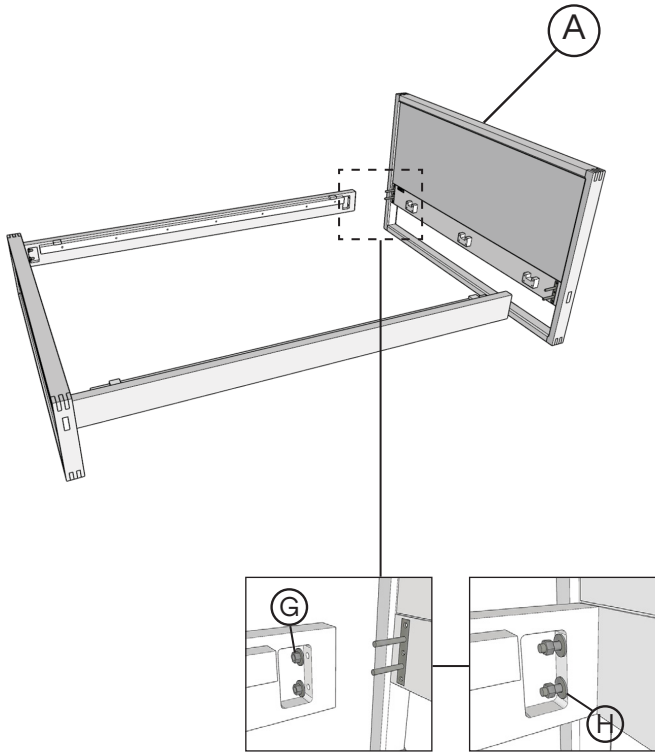
⌚ 45 Min 👤 2 People 🗝️ Wrench

ID	Description	Qty	Reference
(A)	Headboard	1	
(B)	Side Frame Right	1	
(C)	Side Frame Left	1	
(D)	Footboard	1	
(E)	Slatted mattress	2	
(F)	Slatted mattress holders	3	
(G)	Hex nut	8	
(H)	Flat washer	8	



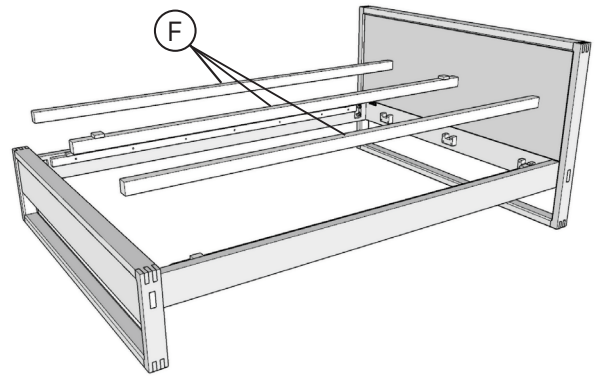
Step 2

Join the Headboard (Piece A) with the previously joint pieces.



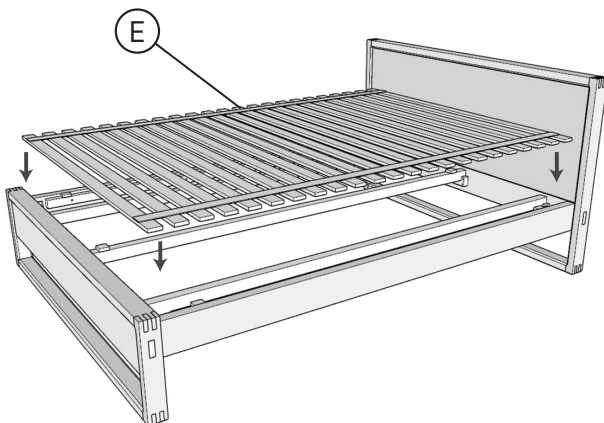
Step 3

Add the Mattress Holder (Piece F).



Step 4

Add the Mattress Slats (Piece E) to complete the bed.





Thank you for supporting our mission to create a greener planet through reforestation. Before starting, please make sure all pieces listed in this manual are complete. And save this manual for future reference.

When assembling, we recommend placing all wooden parts on a soft, clean and flat surface to avoid scratches and damage while assembling your brand new MasayaCo piece.

Need any assistance?




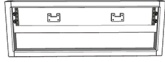
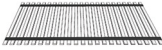

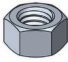

Feel free to contact our Customer Service Team.

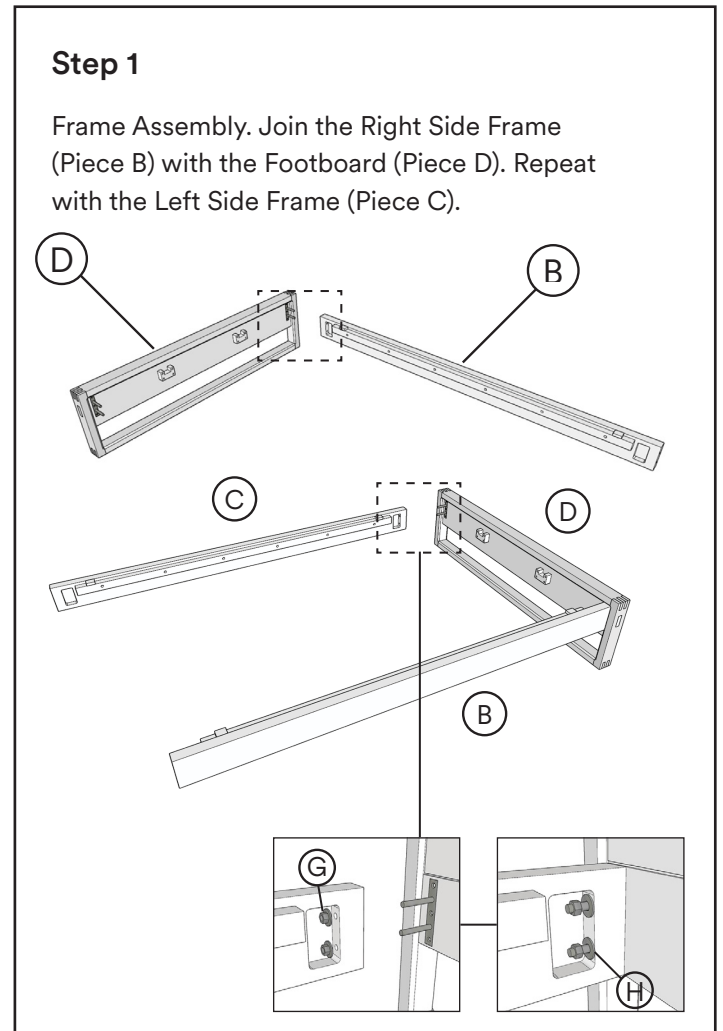
(615) 953 - 9373,

customerservice@masayacompany.com

or using our chat on www.masayacompany.com

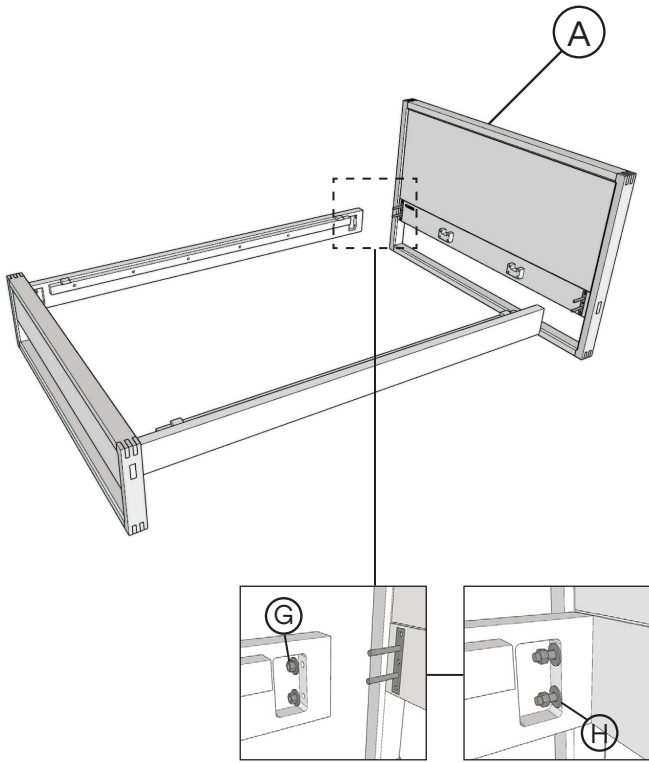
Ⓕ 45 Min 👤 2 People 🗝️ Wrench

ID	Description	Qty	Reference
Ⓐ	Headboard	1	
Ⓑ	Side Frame Right	1	
Ⓒ	Side Frame Left	1	
Ⓓ	Footboard	1	
Ⓔ	Slatted mattress	1	
Ⓕ	Slatted mattress holders	2	
Ⓖ	Hex nut	8	
Ⓗ	Flat washer	8	



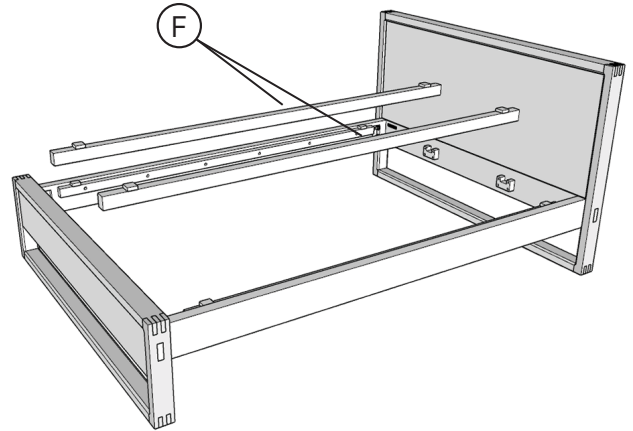
Step 2

Join the Headboard (Piece A) with the previously joint pieces.



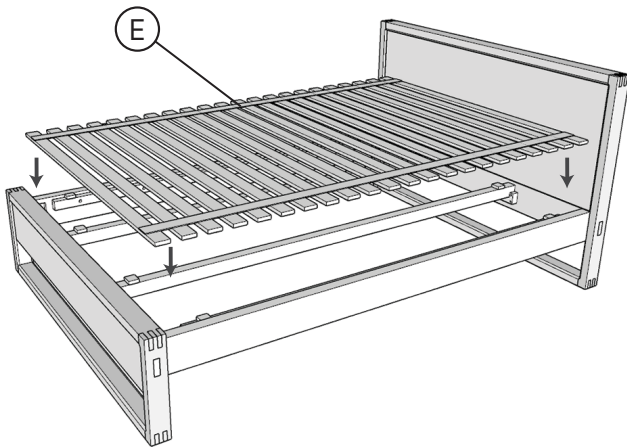
Step 3

Add the Mattress Holder (Piece F).



Step 4

Add the Mattress Slats (Piece E) to complete the bed.





Thank you for supporting our mission to create a greener planet through reforestation. Before starting, please make sure all pieces listed in this manual are complete. And save this manual for future reference.

When assembling, we recommend placing all wooden parts on a soft, clean and flat surface to avoid scratches and damage while assembling your brand new MasayaCo piece.

Need any assistance?

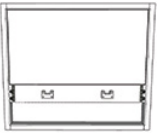







Feel free to contact our Customer Service Team.

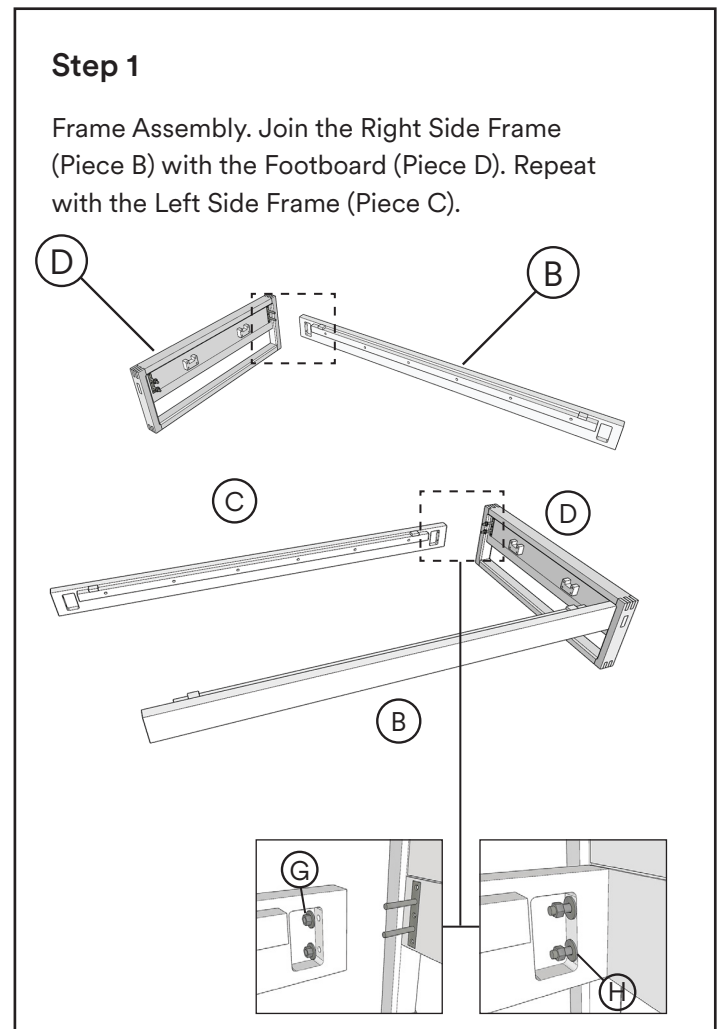
(615) 953 - 9373,

customerservice@masayacompany.com

or using our chat on www.masayacompany.com

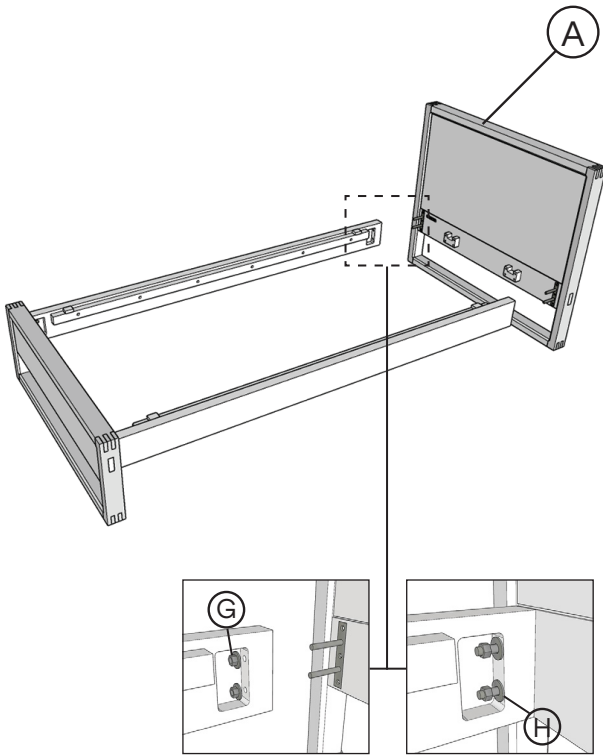
⌚ 45 Min 👤 2 People 🛠️ Wrench

ID	Description	Qty	Reference
(A)	Headboard	1	
(B)	Side Frame Right	1	
(C)	Side Frame Left	1	
(D)	Footboard	1	
(E)	Slatted mattress	2	
(F)	Slatted mattress holders	3	
(G)	Hex nut	8	
(H)	Flat washer	8	



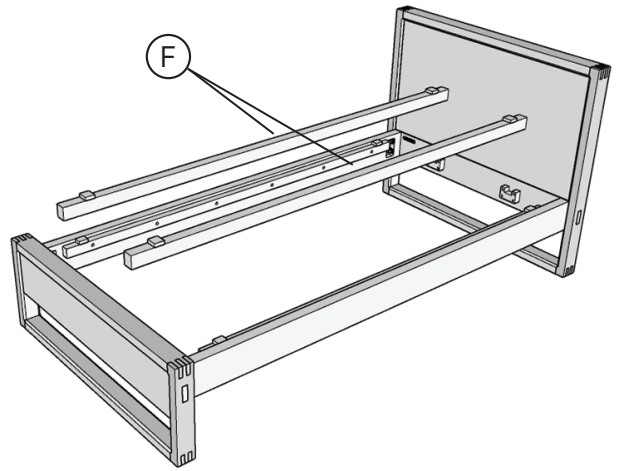
Step 2

Join the Headboard (Piece A) with the previously joint pieces.



Step 3

Add the Mattress Holder (Piece F).



Step 4

Add the Mattress Slats (Piece E) to complete the bed.

