

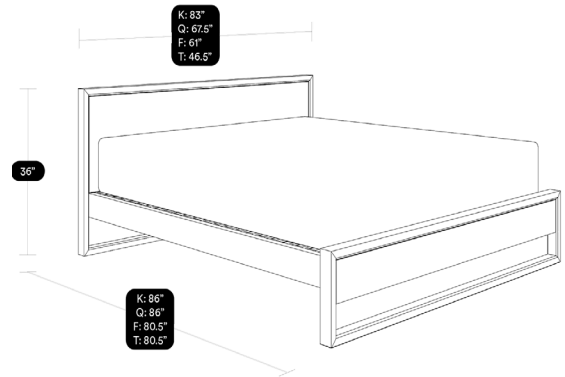
General Information

Thank you for purchasing our product! Please refer to this assembly manual and make sure all pieces are complete before starting. Keep for future reference. When assembling, we recommend placing all wooden parts on a soft, clean and flat surface.

If you need any assistance during the assembly process, please contact our Customer Service Team at (615) 953 - 9373, email [support@masaya.com](mailto:support@masaya.com) or via live chat at [www.masayacompany.com](http://www.masayacompany.com)

Component inventory

ID	Description	Qty	Image Ref
A	Headboard	1	
B	Side Frame Right	1	
C	Side Frame Left	1	
D	Footboard	1	
E	Slatted Mattress	2	
F	Slatted Mattress Holders A	2	
G	Slatted Mattress Holders B	2	
H	Hex Nut	8	
I	Flat Washer	8	



45 Min



2



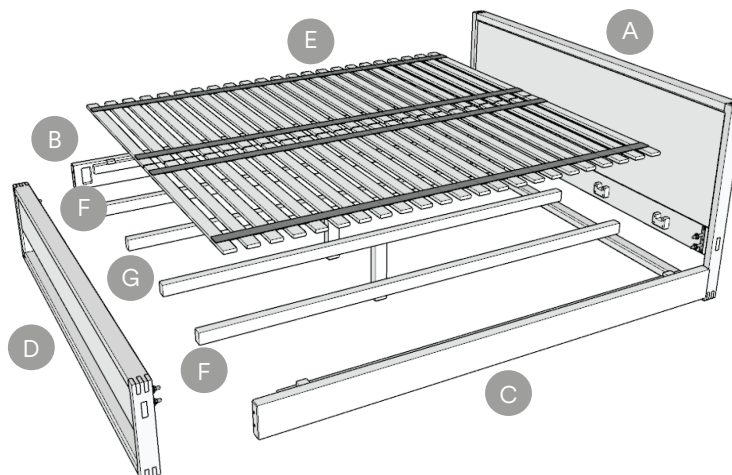
Hard



Wrench

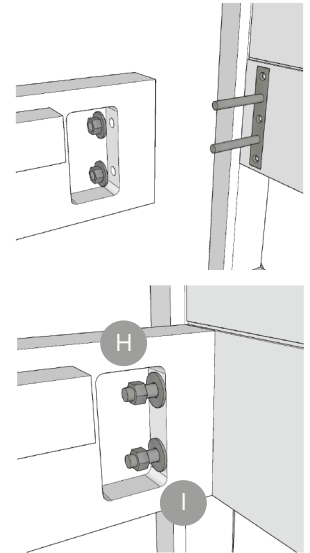
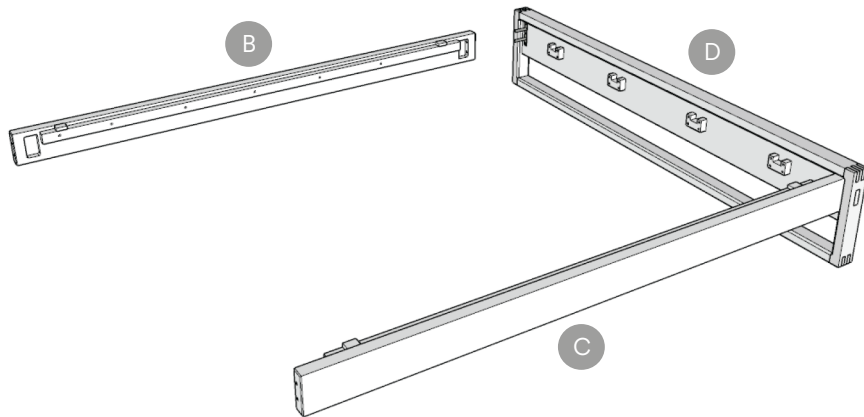
Step 1

Lay out the pieces on the floor, in their corresponding order.



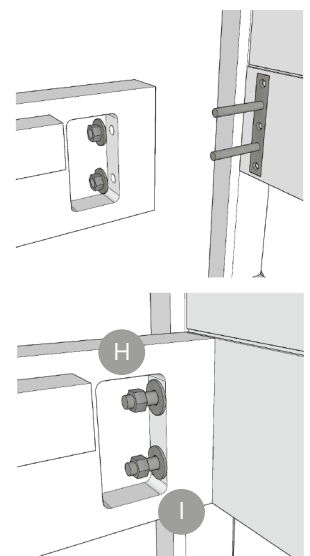
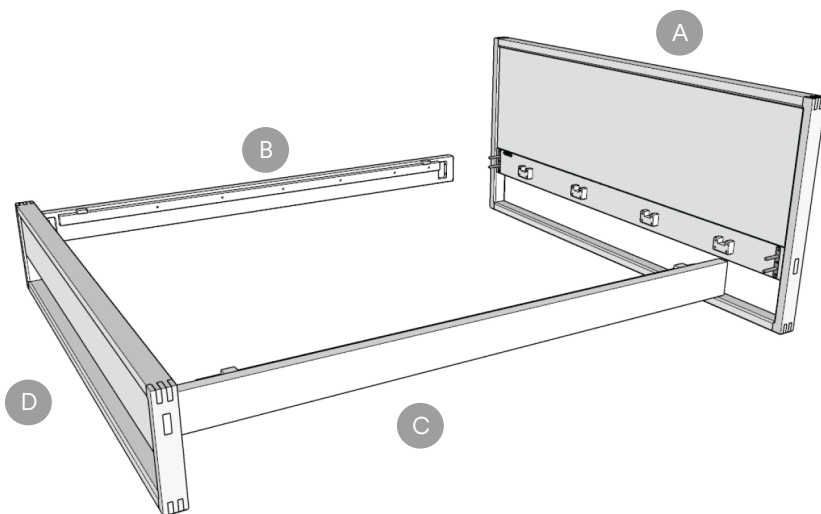
**Step 2**

Frame Assembly. Screw the Right Side Frame with the Footboard. Repeat with the Left Side Frame.



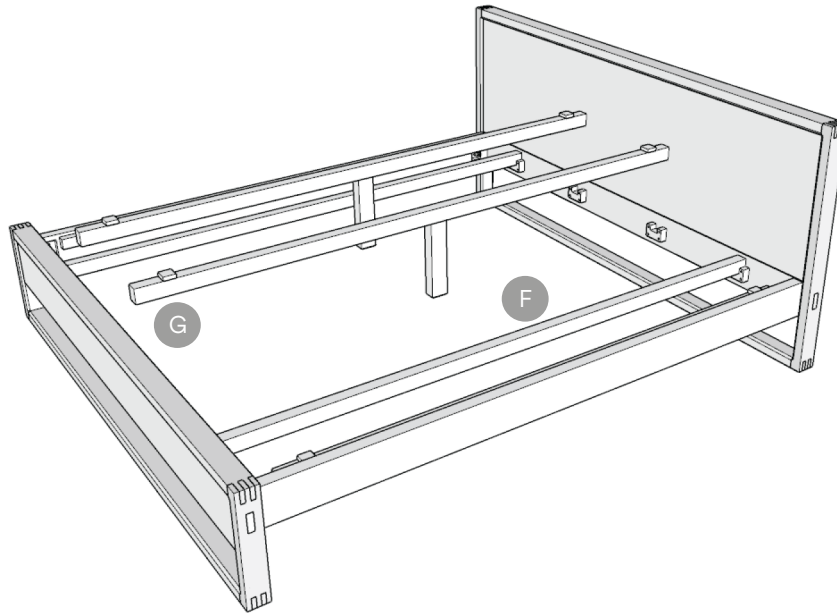
**Step 3**

Screw the Headboard with the previously joined pieces.



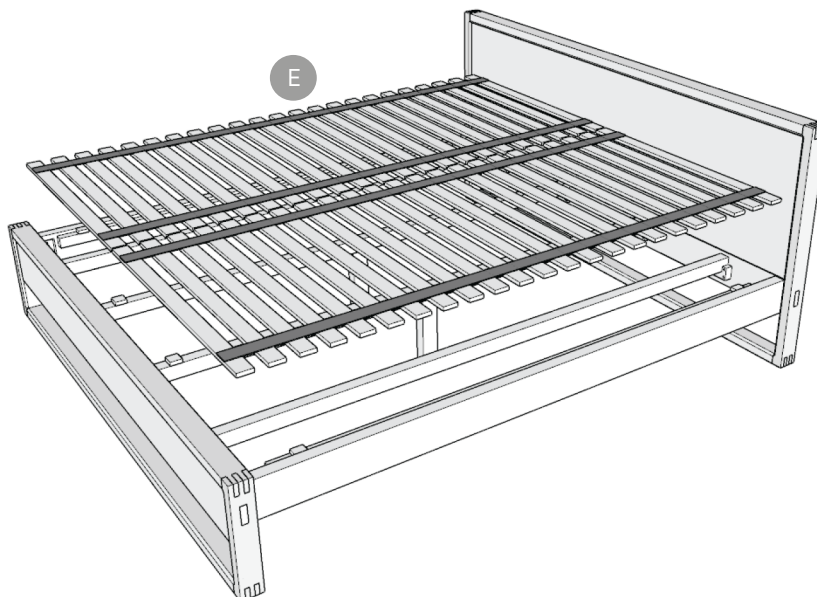
**Step 4**

Add the Mattress Holder. Add the G Pieces in the center hooks and the F Pieces in the side hooks.



**Step 5**

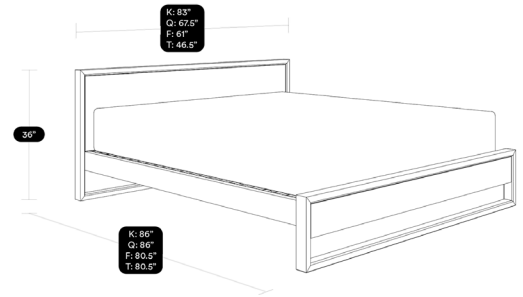
Add mattress slats to complete the bed.



**General Information**

Thank you for purchasing our product! Please refer to this assembly manual and make sure all pieces are complete before starting. Keep for future reference. When assembling, we recommend placing all wooden parts on a soft, clean and flat surface.

If you need any assistance during the assembly process, please contact our Customer Service Team at (615) 953 - 9373, email [support@masaya.com](mailto:support@masaya.com) or via live chat at [www.masayacompany.com](http://www.masayacompany.com)



**Component inventory**

ID	Description	Qty	Image Ref
A	Headboard	1	
B	Side Frame Right	1	
C	Side Frame Left	1	
D	Footboard	1	
E	Slatted Mattress	1	
F	Slatted Mattress Holders	3	
G	Hex Nut	8	
H	Flat Washer	8	



45 Min



2



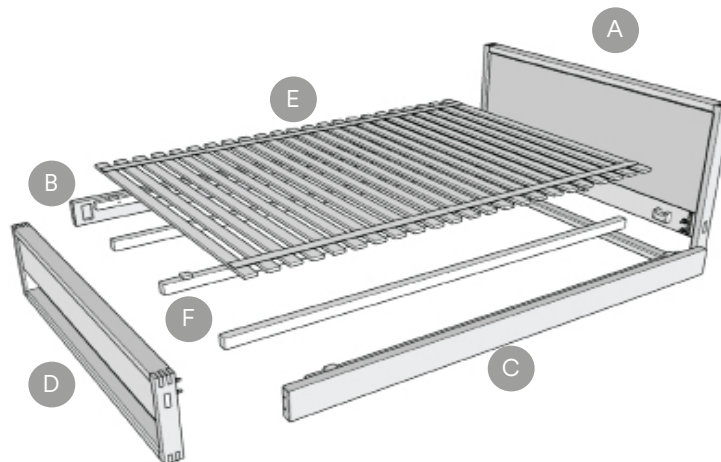
Hard



Wrench

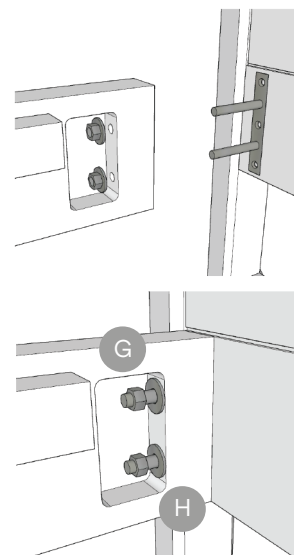
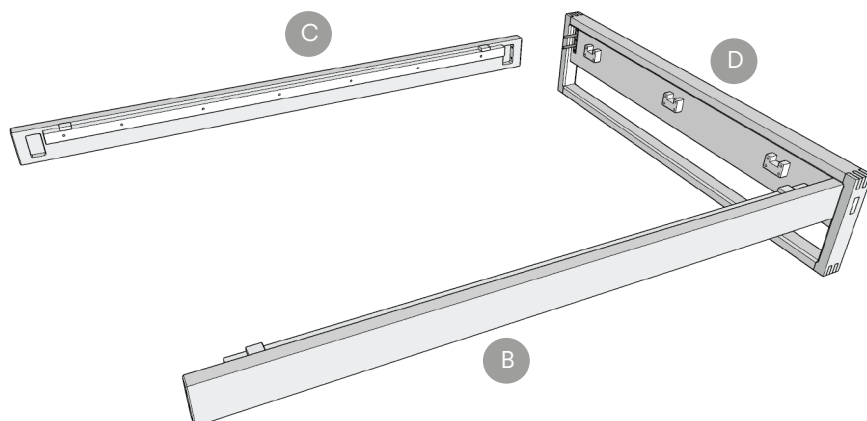
**Step 1**

Lay out the pieces on the floor, in their corresponding order.



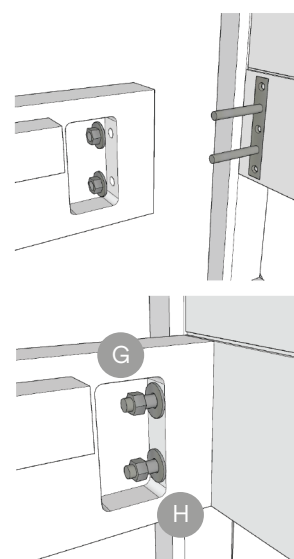
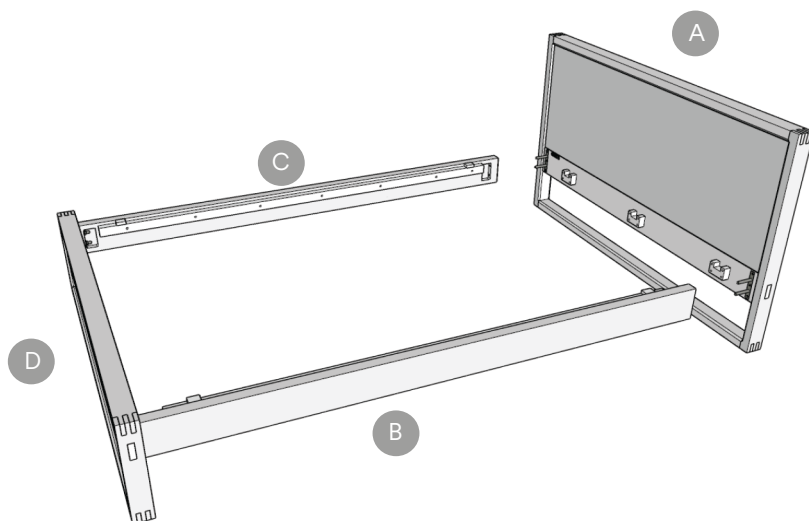
**Step 2**

Frame Assembly. Screw the Right Side Frame with the Footboard. Repeat with the Left Side Frame.



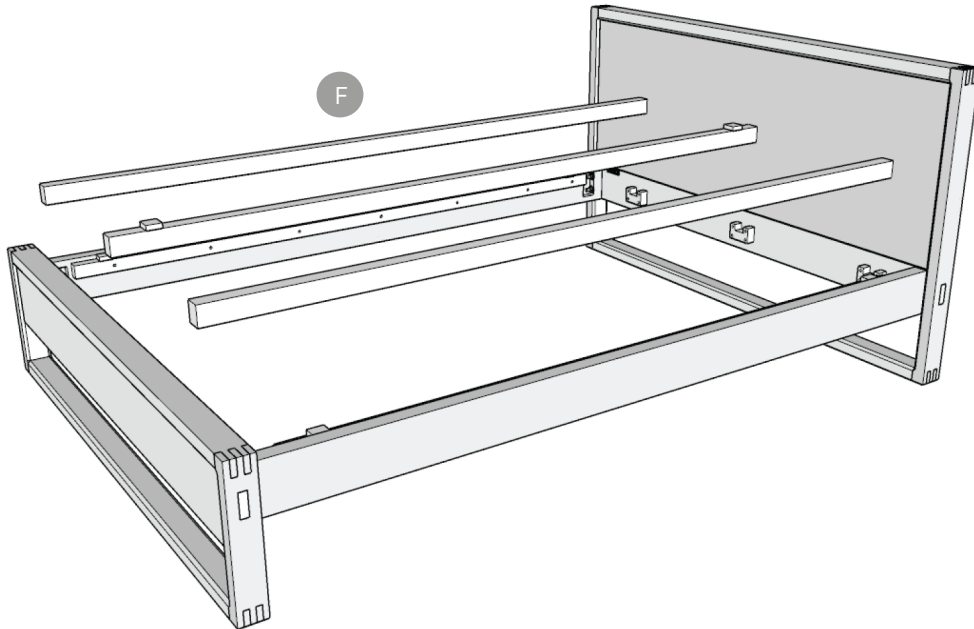
**Step 3**

Screw the Headboard with the previously joined pieces.



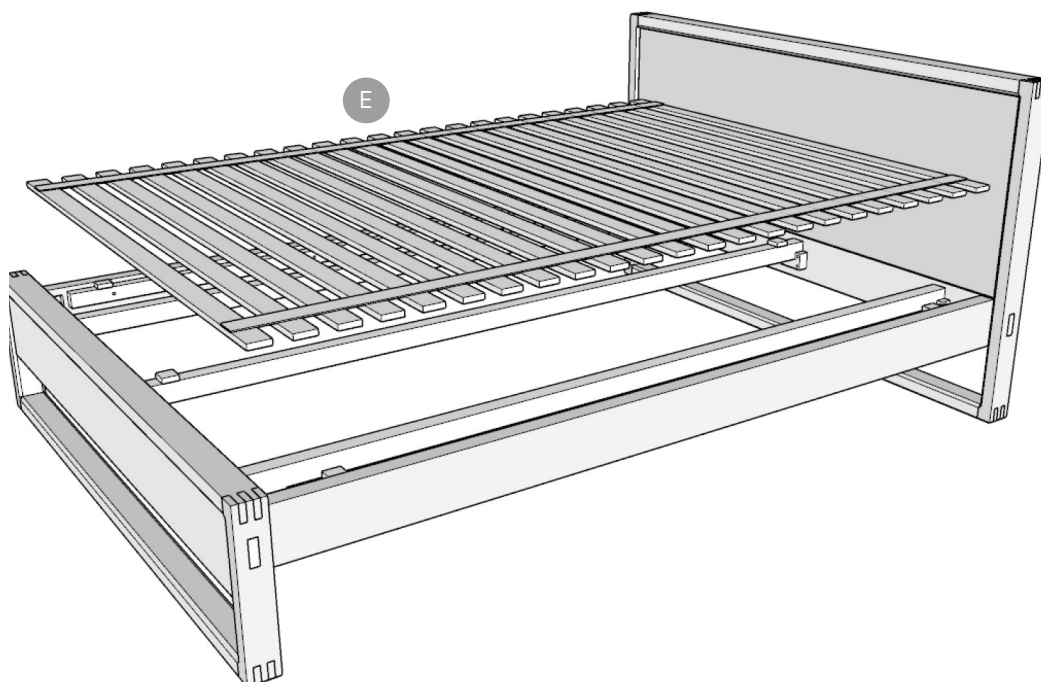
**Step 4**

Add the Mattress Holder (Piece F).



**Step 5**

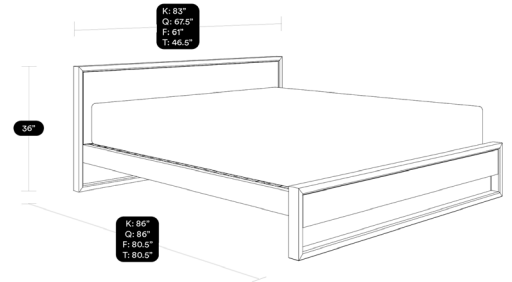
Add mattress slats to complete the bed.



General Information

Thank you for purchasing our product! Please refer to this assembly manual and make sure all pieces are complete before starting. Keep for future reference. When assembling, we recommend placing all wooden parts on a soft, clean and flat surface.

If you need any assistance during the assembly process, please contact our Customer Service Team at (615) 953 - 9373, email [support@masaya.com](mailto:support@masaya.com) or via live chat at [www.masayacompany.com](http://www.masayacompany.com)



Component inventory

ID	Description	Qty	Image Ref
A	Headboard	1	
B	Side Frame Right	1	
C	Side Frame Left	1	
D	Footboard	1	
E	Slatted Mattress	1	
F	Slatted Mattress Holders	2	
G	Hex Nut	8	
H	Flat Washer	8	



45 Min



2



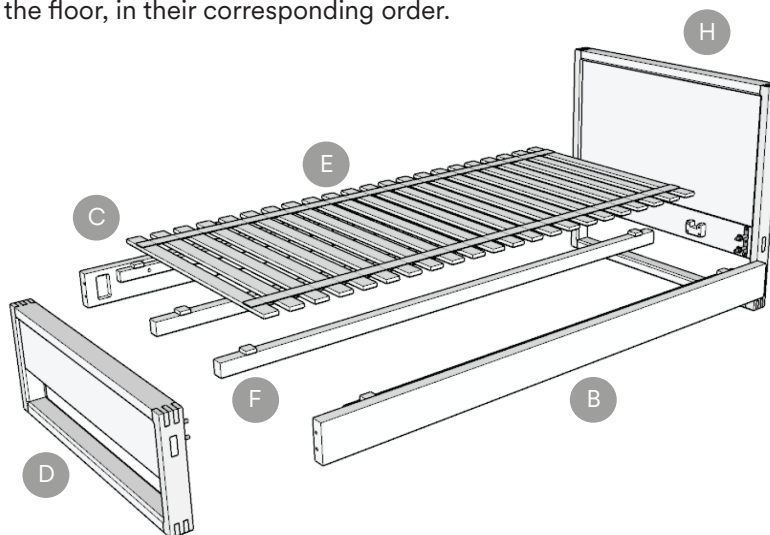
Hard



Wrench

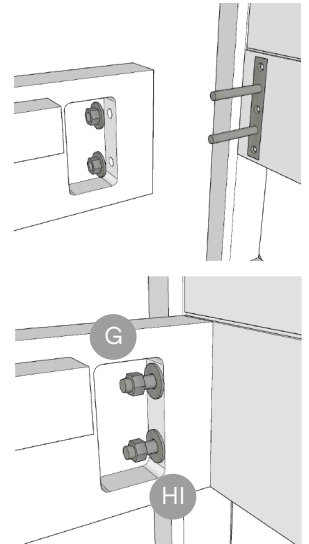
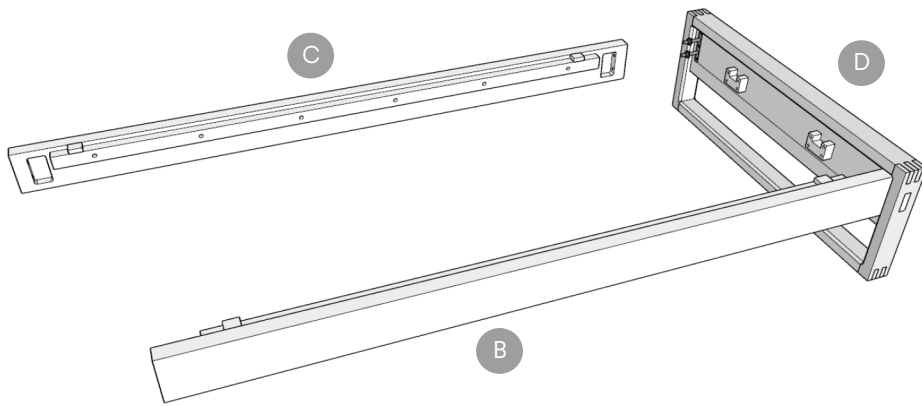
Step 1

Lay out the pieces on the floor, in their corresponding order.



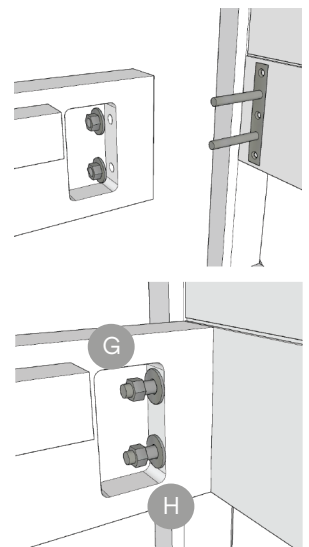
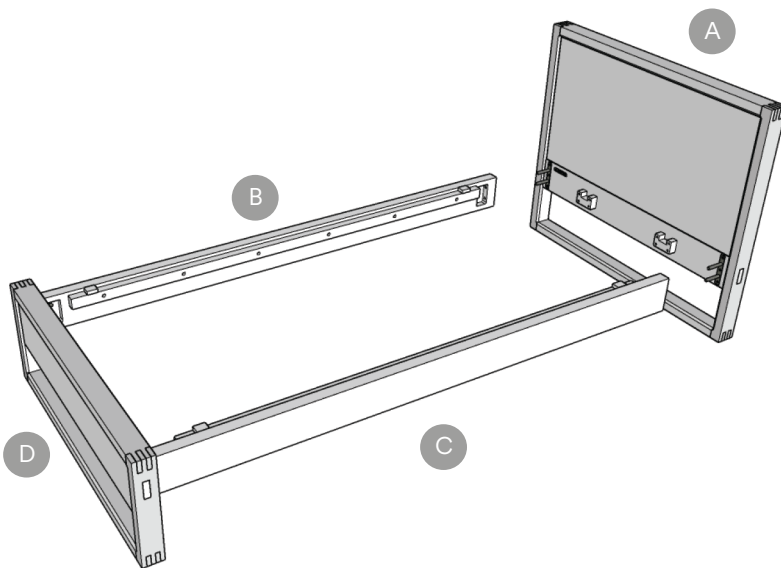
**Step 2**

Frame Assembly. Screw the Right Side Frame with the Footboard. Repeat with the Left Side Frame.



**Step 3**

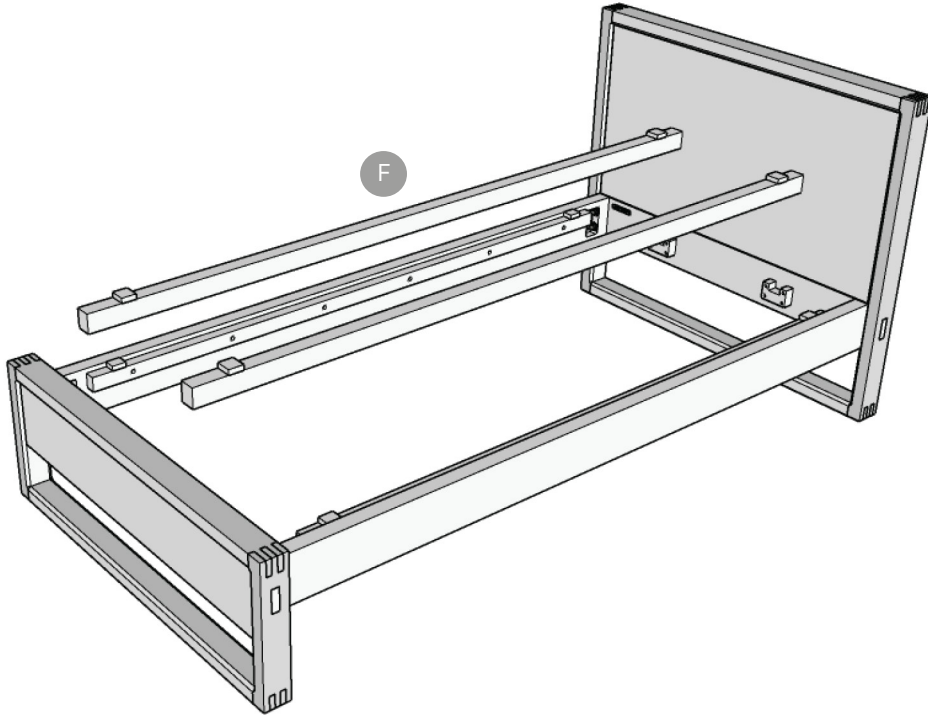
Screw the Headboard with the previously joined pieces.





**Step 4**

Add the Mattress Holder (Piece F).



**Step 5**

Add mattress slats to complete the bed.

