



Thank you for supporting our mission to create a greener planet through reforestation. Before starting, please make sure all pieces listed in this manual are complete. And save this manual for future reference.

When assembling, we recommend placing all wooden parts on a soft, clean and flat surface to avoid scratches and damage while assembling your brand new MasayaCo piece.

Need any assistance?

Feel free to contact our Customer Service Team.

(615) 953 - 9373,
customerservice@masayacompany.com
 or using our chat on www.masayacompany.com

Ⓕ 45 Min 👤 2 People ⚙️ Electric Screwdriver

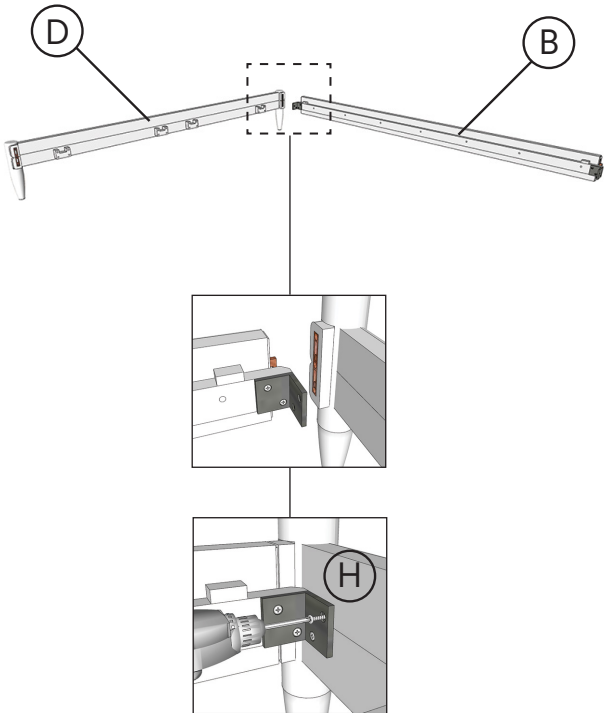
ID	Description	Qty	Reference
Ⓐ	Headboard	1	
Ⓑ	Side Frame Right	1	
Ⓒ	Side Frame Left	1	
Ⓓ	Footboard	1	
Ⓔ	Slatted mattress	2	
Ⓕ	Slatted mattress holders - A	2	
Ⓖ	Slatted mattress holders - B	2	
Ⓗ	Screw x 1"	8	
Ⓘ	Screw x 1-1/4"	16	

Step 1

Lay out the pieces on the floor, in their corresponding order.

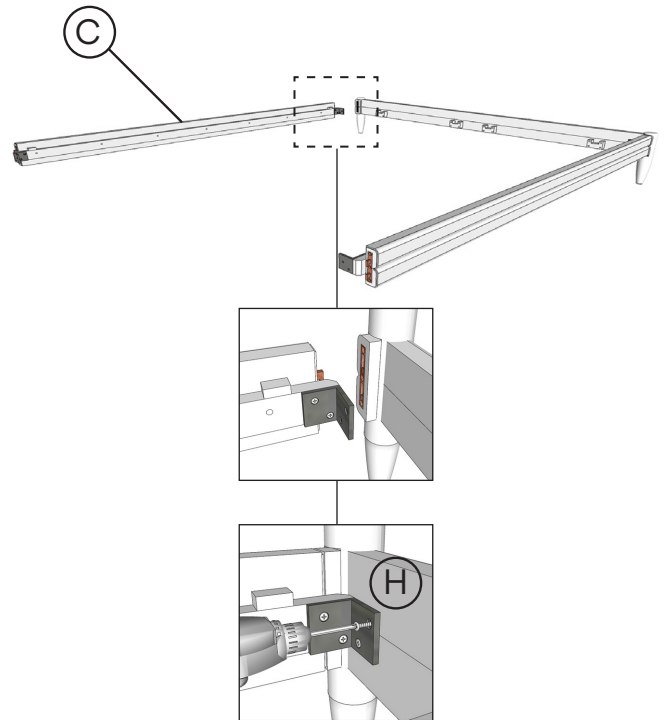
Step 2

Screw together the footboard (Piece D) with the right side frame (Piece B). To screw pieces in place please use an electric screwdriver.



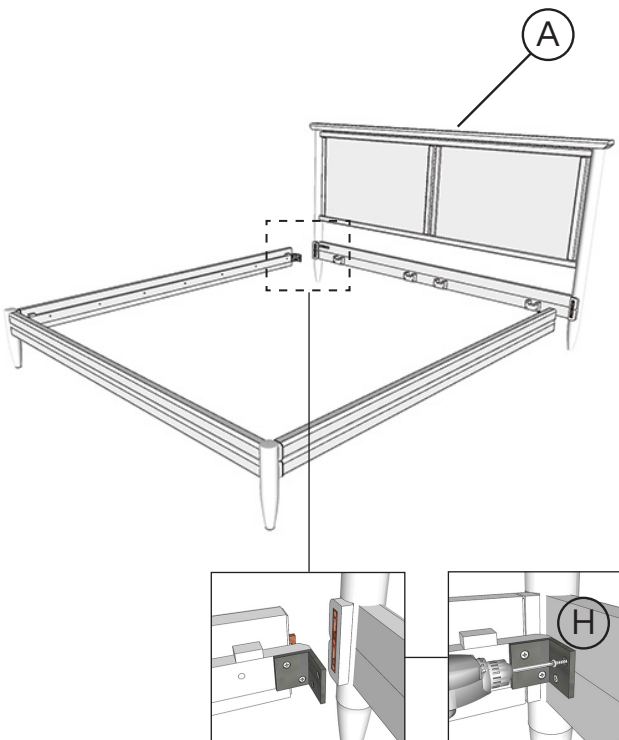
Step 3

Attach the left side frame (Piece C) to the footboard.



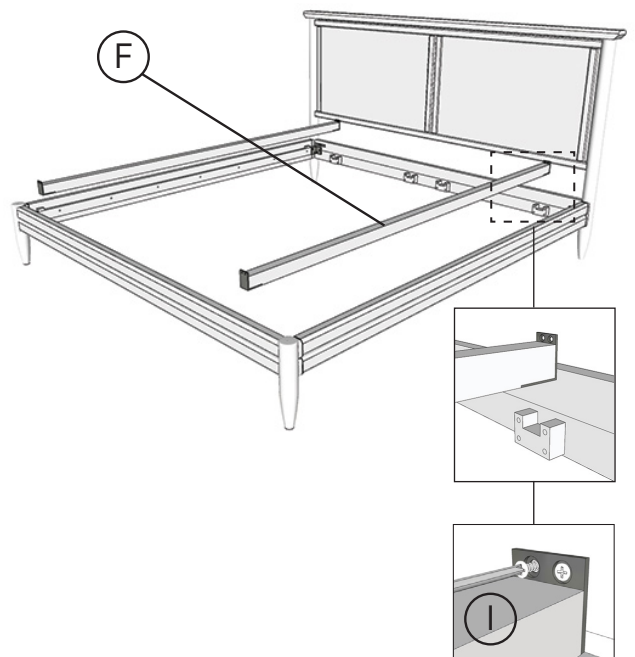
Step 4

Screw the previously attached pieces into the headboard (Piece A).



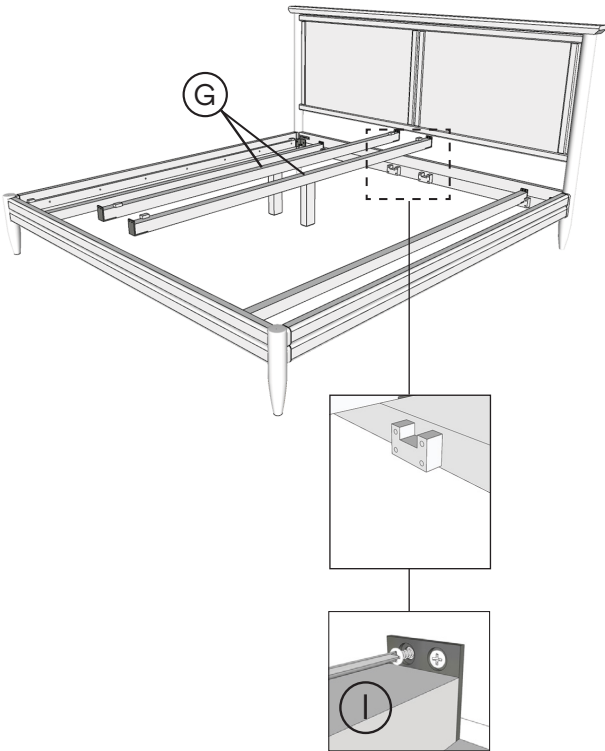
Step 5

Add the outer mattress holder (Piece F) and screw them in place with a manual screwdriver.



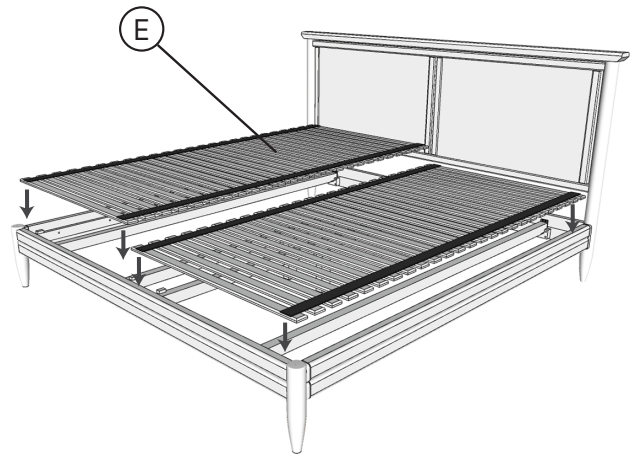
Step 6

Screw in place the remaining mattress holder (Piece G).



Step 7

Lastly, add the slatted mattress in place (Piece E).





Thank you for supporting our mission to create a greener planet through reforestation. Before starting, please make sure all pieces listed in this manual are complete. And save this manual for future reference.

When assembling, we recommend placing all wooden parts on a soft, clean and flat surface to avoid scratches and damage while assembling your brand new MasayaCo piece.

Need any assistance?

Feel free to contact our Customer Service Team.

(615) 953 - 9373,
customerservice@masayacompany.com
 or using our chat on www.masayacompany.com

⌚ 45 Min 👤 2 People 🔩 Electric Screwdriver

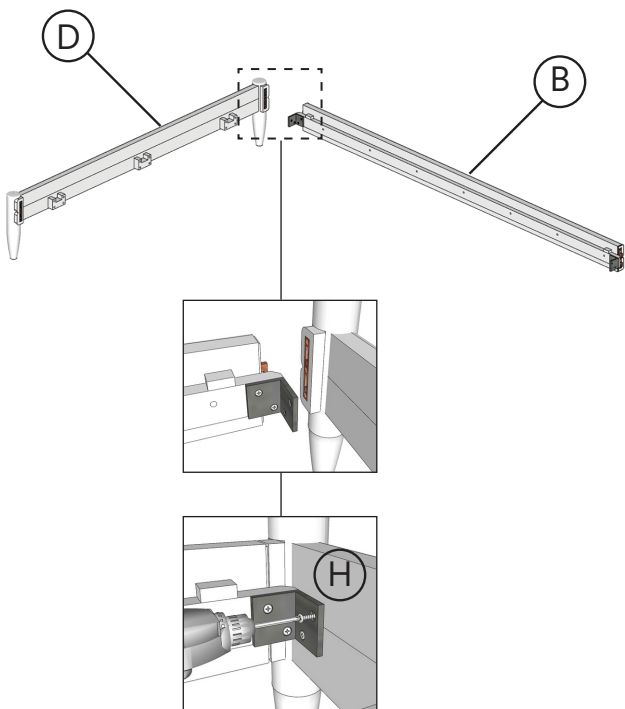
ID	Description	Qty	Reference
Ⓐ	Headboard	1	
Ⓑ	Side Frame Right	1	
Ⓒ	Side Frame Left	1	
Ⓓ	Footboard	1	
Ⓔ	Slatted mattress	1	
Ⓕ	Slatted mattress holders - A	2	
Ⓖ	Slatted mattress holders - B	1	
Ⓗ	Screw x 1"	8	
Ⓘ	Screw x 1-1/4"	12	

Step 1

Lay out the pieces on the floor, in their corresponding order.

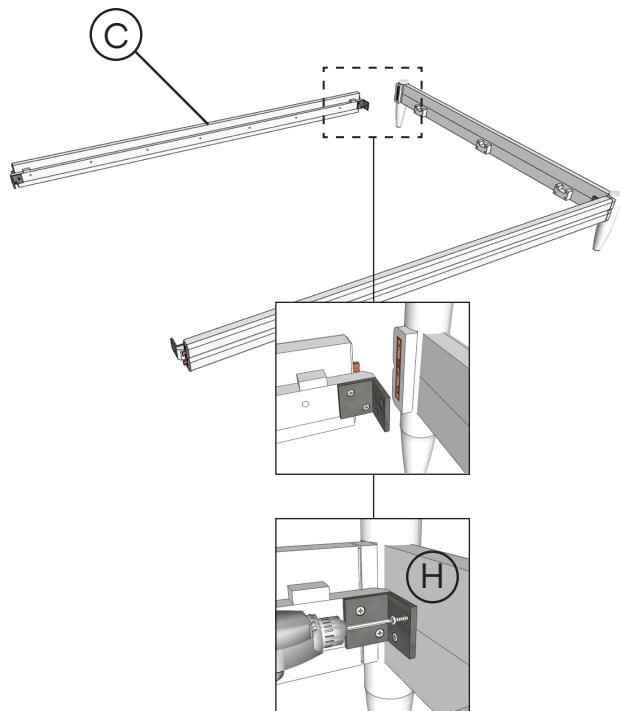
Step 2

Screw together the footboard (Piece D) with the right side frame (Piece B). To screw pieces in place please use an electric screwdriver.



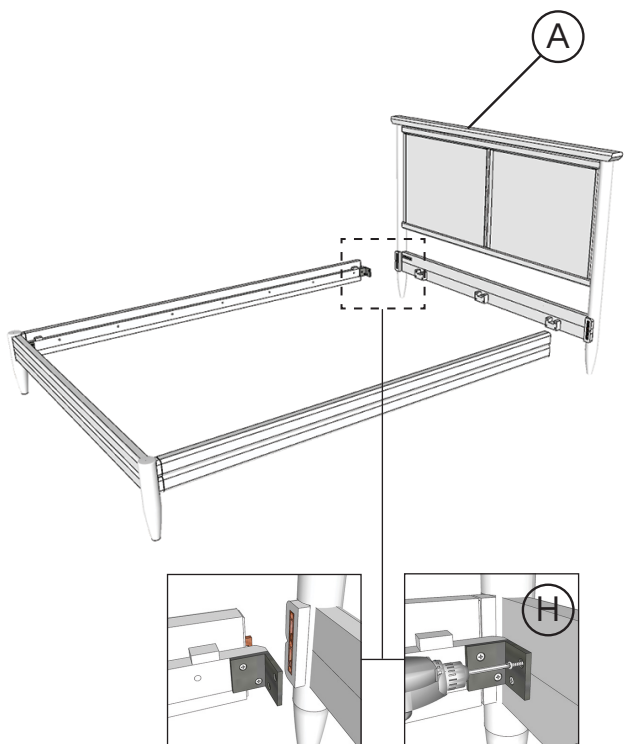
Step 3

Attach the left side frame (Piece C) to the footboard.



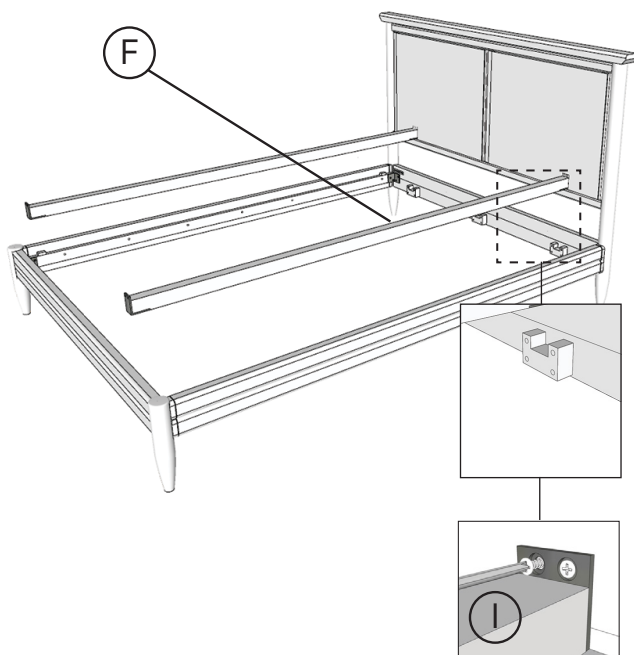
Step 4

Screw the previously attached pieces into the headboard (Piece A).



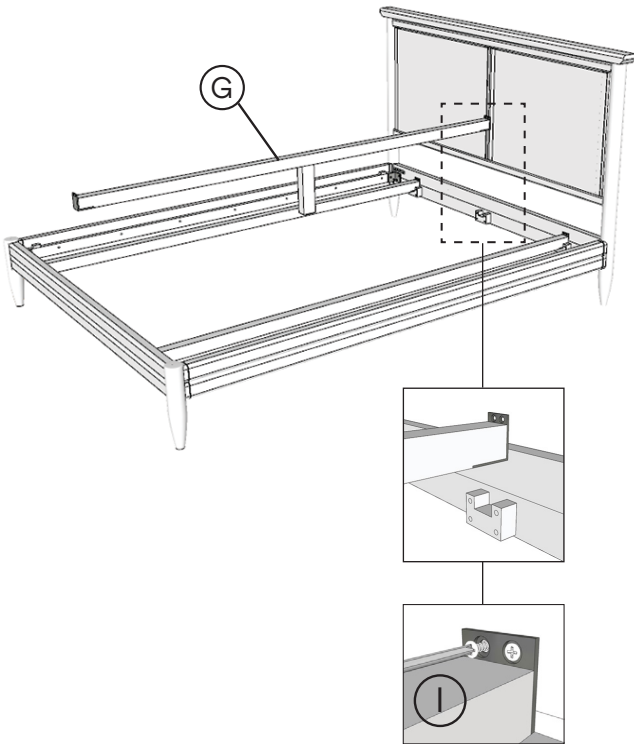
Step 5

Add the outer mattress holder (Piece F) and screw them in place with a manual screwdriver.



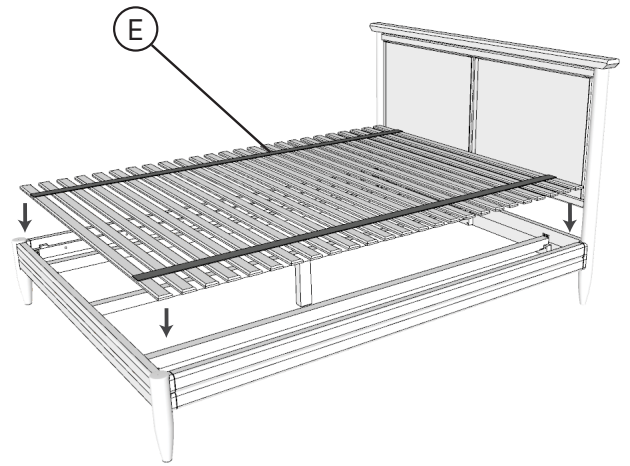
Step 6

Screw in place the remaining mattress holder (Piece G).



Step 7

Lastly, add the slatted mattress in place (Piece E).





Thank you for supporting our mission to create a greener planet through reforestation. Before starting, please make sure all pieces listed in this manual are complete. And save this manual for future reference.

When assembling, we recommend placing all wooden parts on a soft, clean and flat surface to avoid scratches and damage while assembling your brand new MasayaCo piece.

Need any assistance?

Feel free to contact our Customer Service Team.

(615) 953 - 9373,

customerservice@masayacompany.com

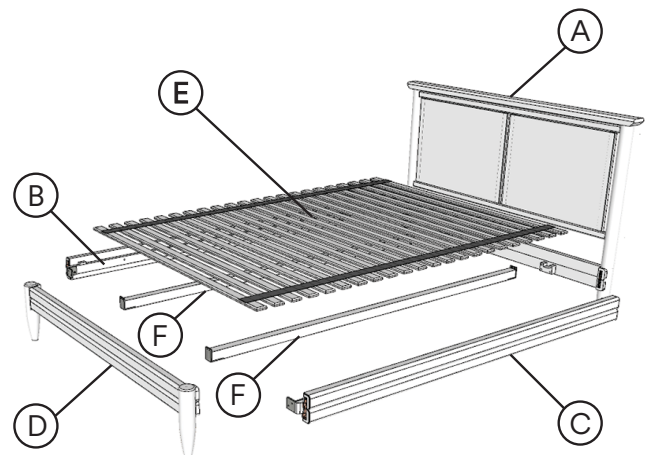
or using our chat on www.masayacompany.com

⌚ 45 Min 👤 2 People 🔩 Electric Screwdriver

ID	Description	Qty	Reference
(A)	Headboard	1	
(B)	Side Frame Right	1	
(C)	Side Frame Left	1	
(D)	Footboard	1	
(E)	Slatted mattress	1	
(F)	Slatted mattress holders - A	2	
(G)	Screw x 1"	8	
(H)	Screw x 1-1/4"	8	

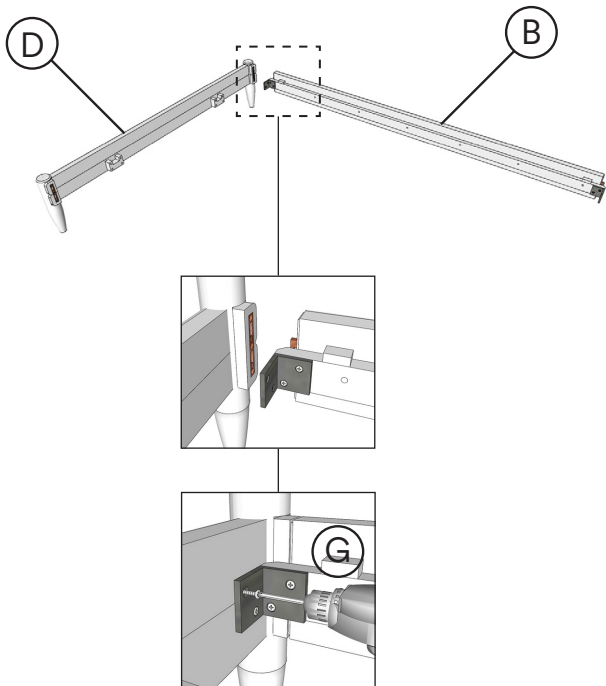
Step 1

Lay out the pieces on the floor, in their corresponding order.



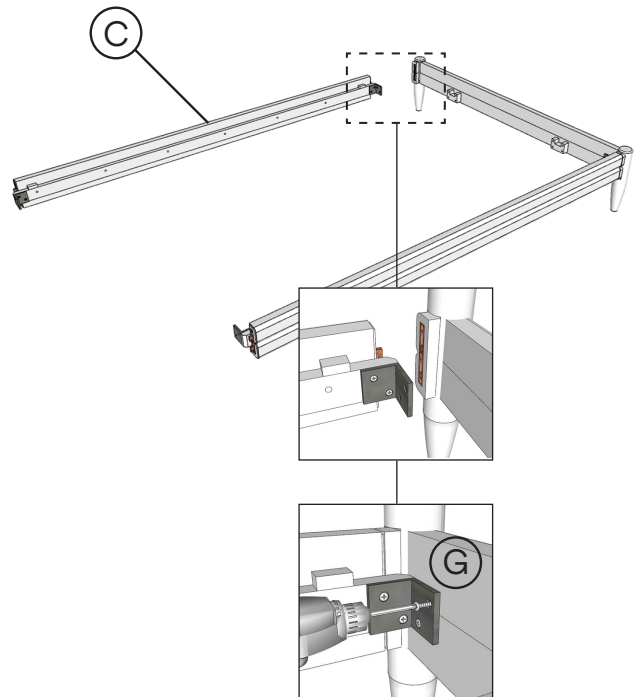
Step 2

Screw together the footboard (Piece D) with the right side frame (Piece B). To screw pieces in place please use an electric screwdriver.



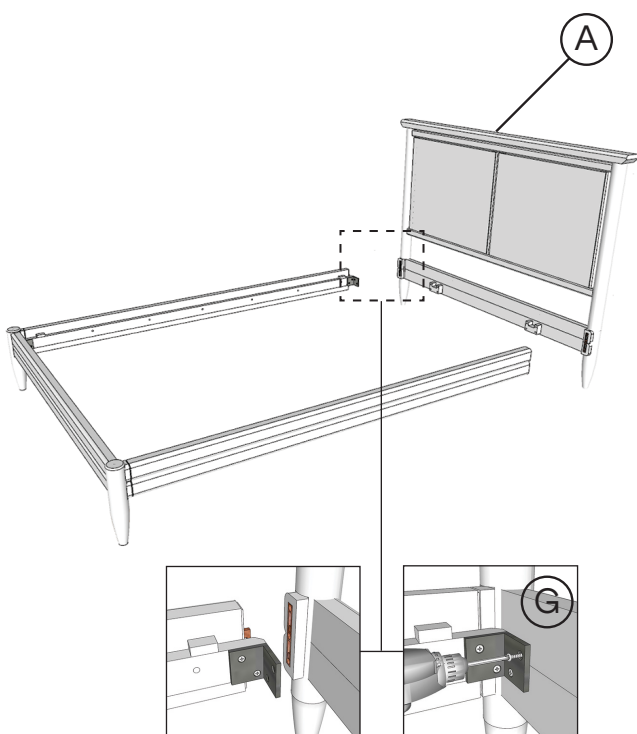
Step 3

Attach the left side frame (Piece C) to the footboard.



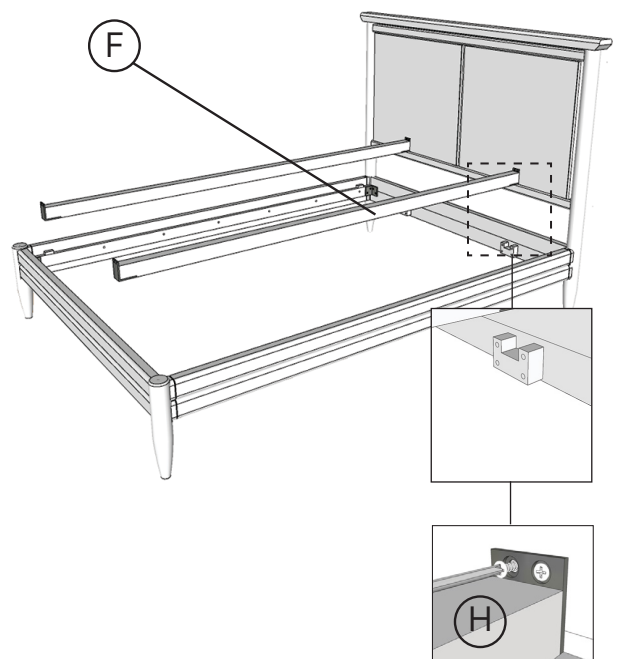
Step 4

Screw the previously attached pieces into the headboard (Piece A).



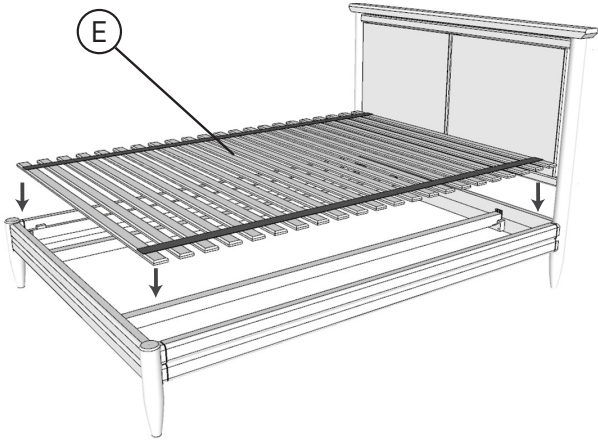
Step 5

Add the outer mattress holder (Piece F) and screw them in place with a manual screwdriver.



Step 6

Lastly, add the slatted mattress in place (Piece E).





Thank you for supporting our mission to create a greener planet through reforestation. Before starting, please make sure all pieces listed in this manual are complete. And save this manual for future reference.

When assembling, we recommend placing all wooden parts on a soft, clean and flat surface to avoid scratches and damage while assembling your brand new MasayaCo piece.

Need any assistance?





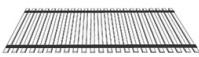



Feel free to contact our Customer Service Team.

(615) 953 - 9373,

customerservice@masayacompany.com

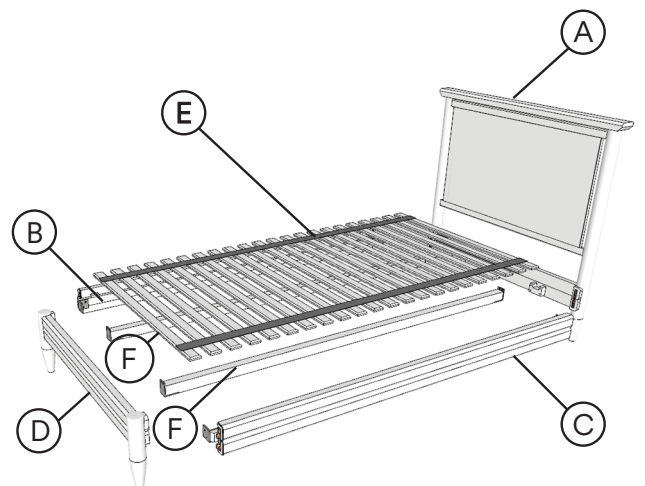
or using our chat on www.masayacompany.com

⌚ 45 Min 👤 2 People 🔩 Electric Screwdriver

ID	Description	Qty	Reference
Ⓐ	Headboard	1	
Ⓑ	Side Frame Right	1	
Ⓒ	Side Frame Left	1	
Ⓓ	Footboard	1	
Ⓔ	Slatted mattress	1	
Ⓕ	Slatted mattress holders - A	2	
Ⓖ	Screw x 1"	8	
Ⓗ	Screw x 1-1/4"	8	

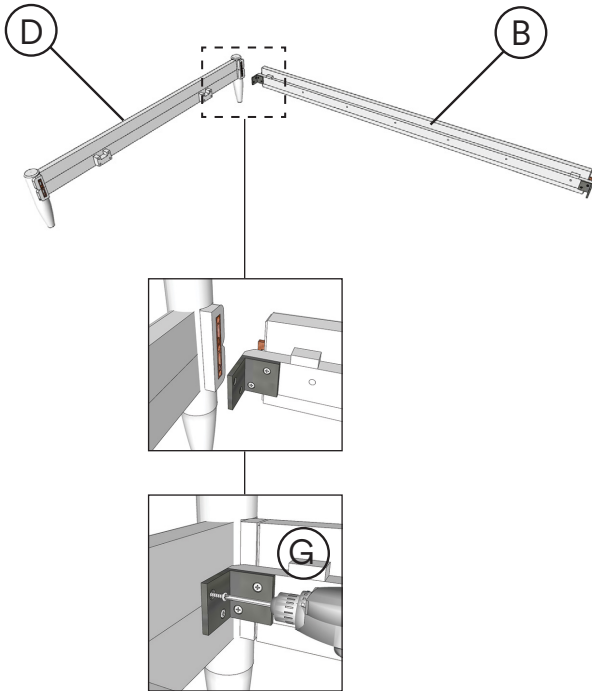
Step 1

Lay out the pieces on the floor, in their corresponding order.



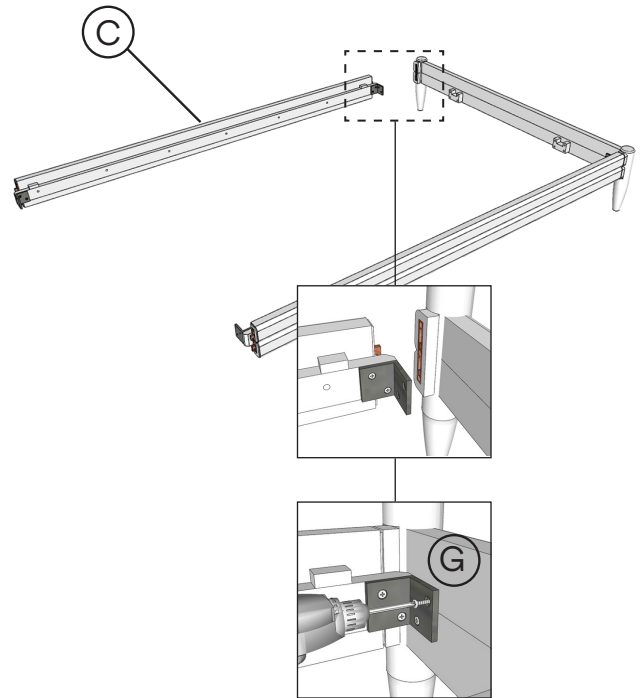
Step 2

Screw together the footboard (Piece D) with the right side frame (Piece B). To screw pieces in place please use an electric screwdriver.



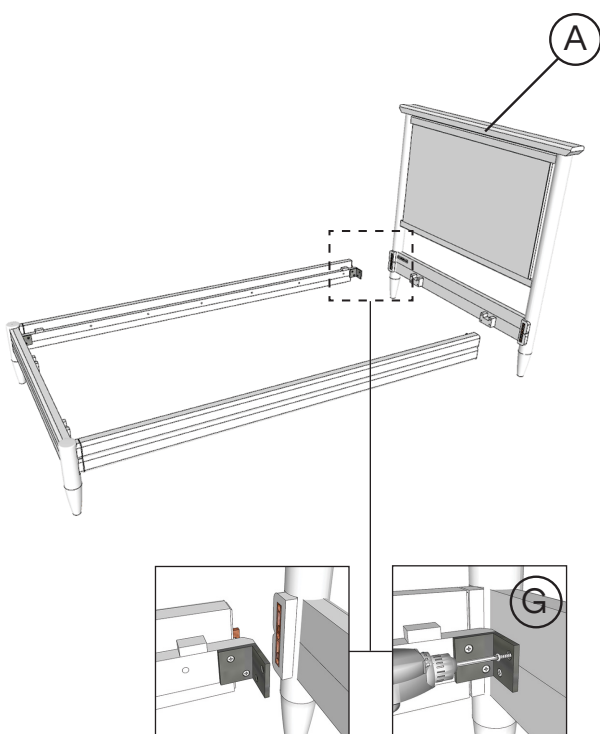
Step 3

Attach the left side frame (Piece C) to the footboard.



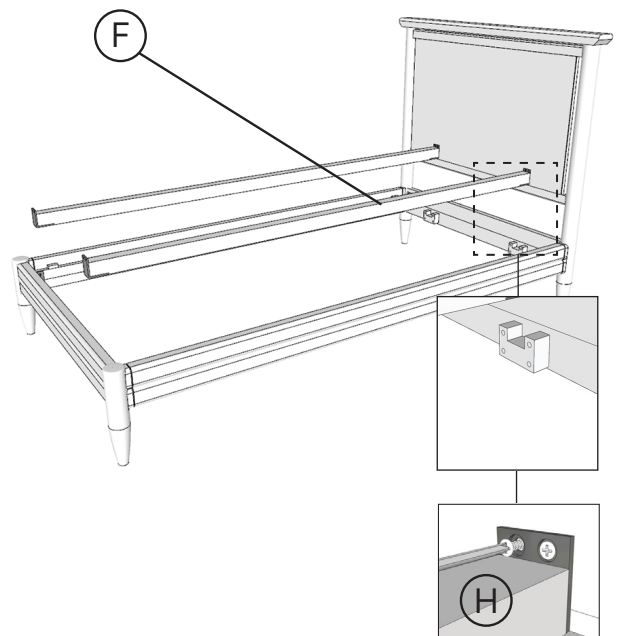
Step 4

Screw the previously attached pieces into the headboard (Piece A).



Step 5

Add the outer mattress holder (Piece F) and screw them in place with a manual screwdriver.



Step 6

Lastly, add the slatted mattress in place (Piece E).

