






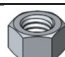



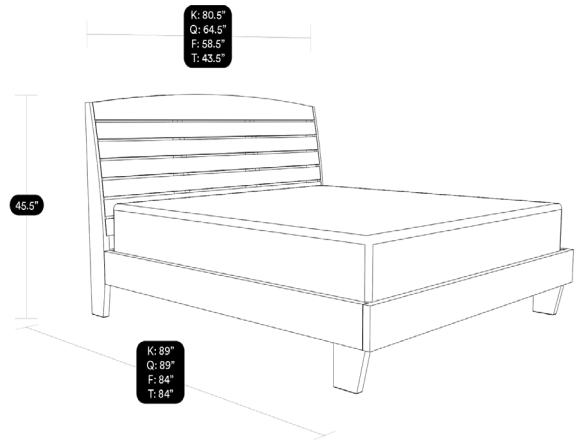
General Information

Thank you for purchasing our product! Please refer to this assembly manual and make sure all pieces are complete before starting. Keep for future reference. When assembling, we recommend placing all wooden parts on a soft, clean and flat surface.

If you need any assistance during the assembly process, please contact our Customer Service Team at (615) 953 - 9373, email [support@masaya.com](mailto:support@masaya.com) or via live chat at [www.masayacompany.com](http://www.masayacompany.com)

Component inventory

ID	Description	Qty	Image Ref
A	Headboard	1	
B	Side Frame Right	1	
C	Side Frame Left	1	
D	Footboard	1	
E	Slatted Mattress	2	
F	Slatted Mattress Holders A	2	
G	Slatted Mattress Holders B	2	
H	Hex Nut	8	
I	Flat Washer	8	



45 Min



2



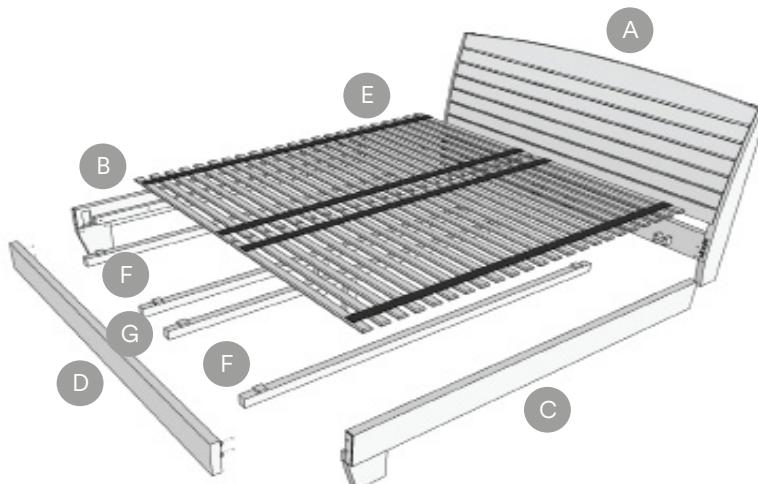
Hard



Wrench

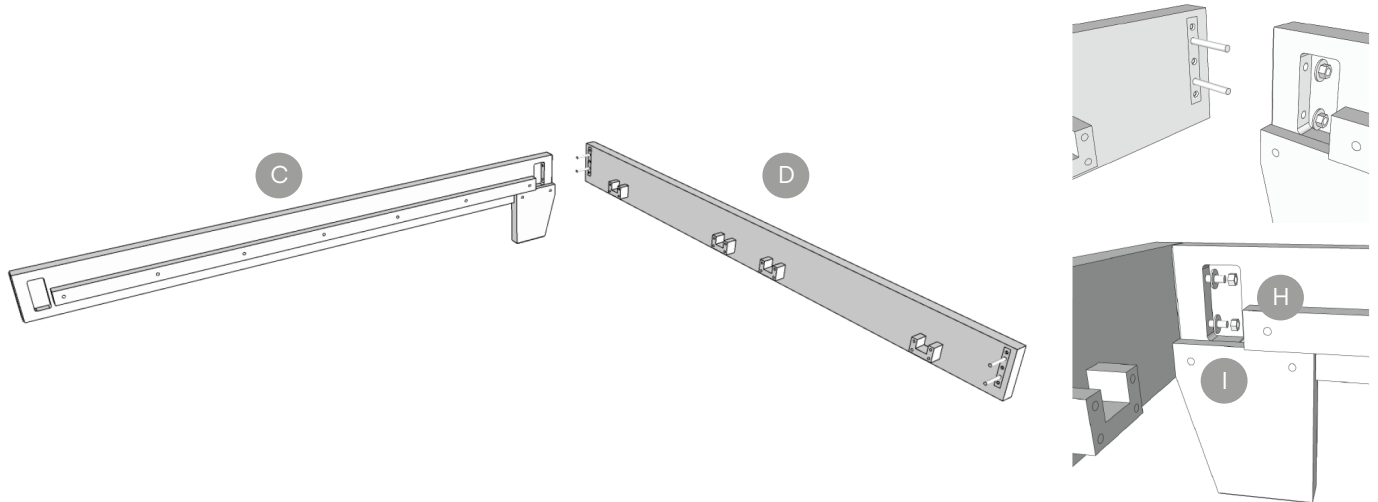
Step 1

Lay out the pieces on the floor, in their corresponding order.



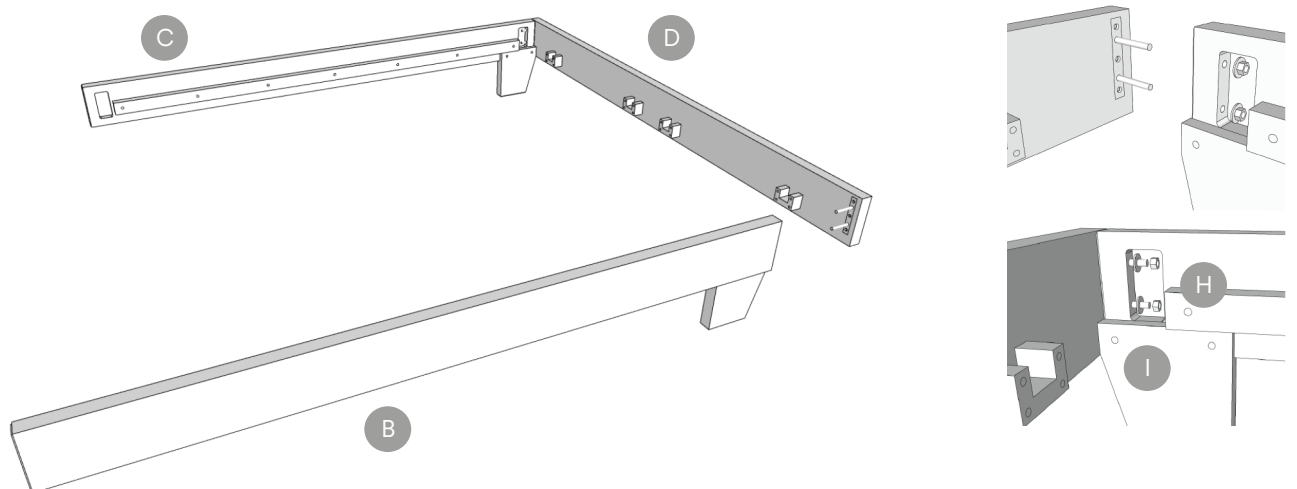
**Step 2**

Attach together the footboard (Piece D) with the left side frame (Piece C). Fix the frames with a Hex Nut and Flat Washer.



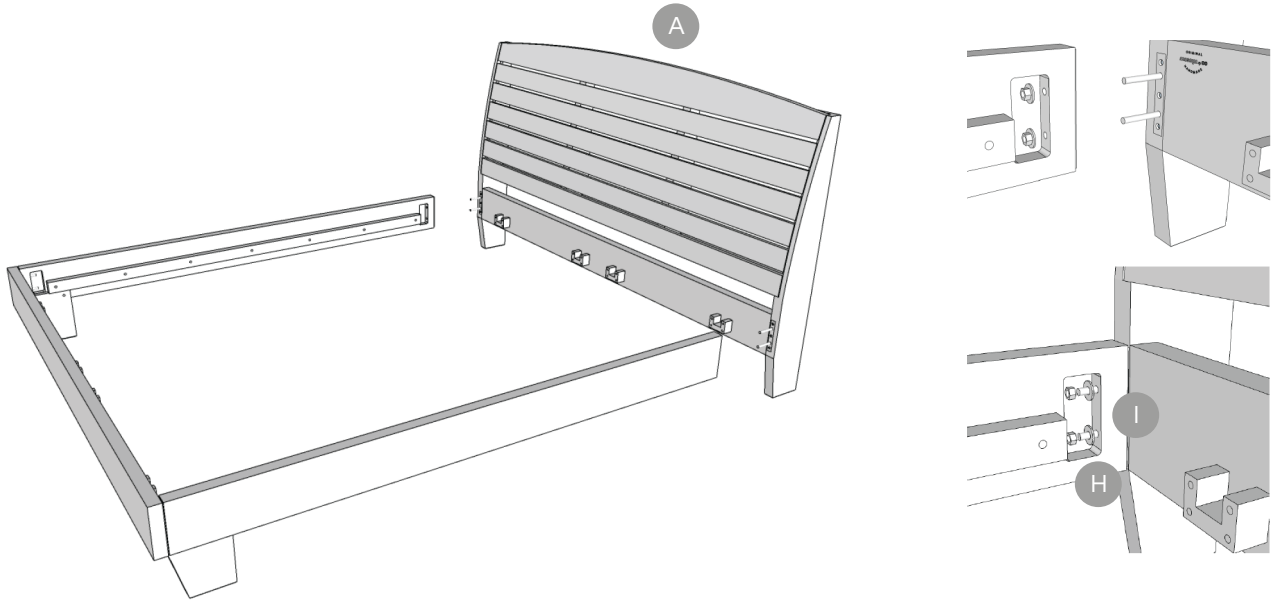
**Step 3**

Attach the right side frame (Piece B) to the footboard.



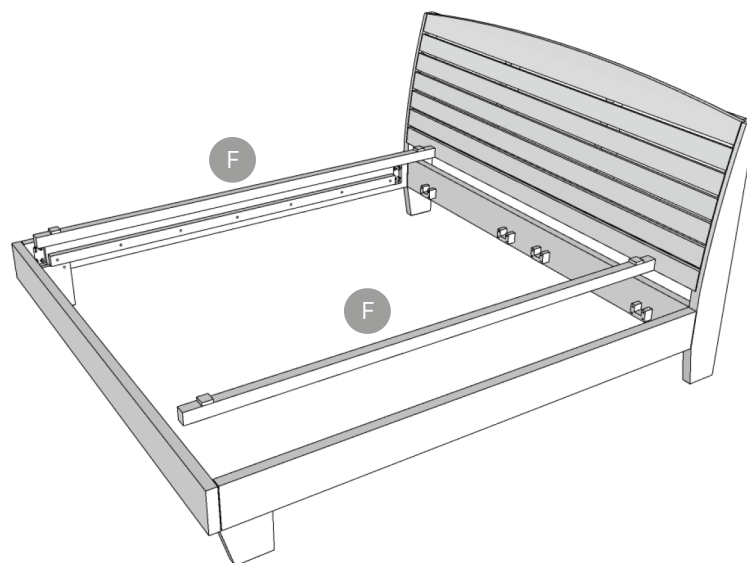
**Step 4**

Attach the frame pieces to the headboard (Piece A).



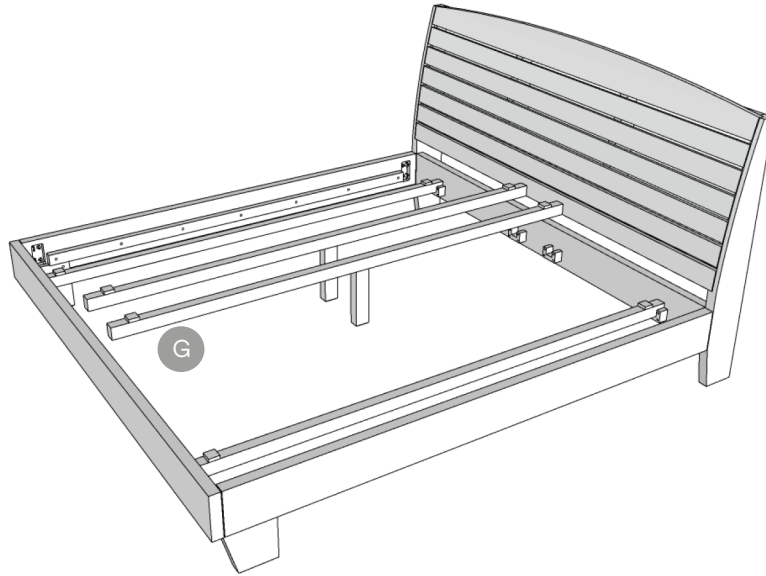
**Step 5**

Add the outer mattress holder (Piece F) and fix them in place with a Hex Nut and Flat Washer.



**Step 6**

Screw in place the remaining mattress holder (Piece G).



**Step 7**

Lastly, add the slatted mattress in place (Piece E).

