



Thank you for supporting our mission to create a greener planet through reforestation. Before starting, please make sure all pieces listed in this manual are complete. And save this manual for future reference.

When assembling, we recommend placing all wooden parts on a soft, clean and flat surface to avoid scratches and damage while assembling your brand new MasayaCo piece.

**Need any assistance?**

Feel free to contact our Customer Service Team.

(615) 953 - 9373,

[customerservice@masayacompany.com](mailto:customerservice@masayacompany.com)

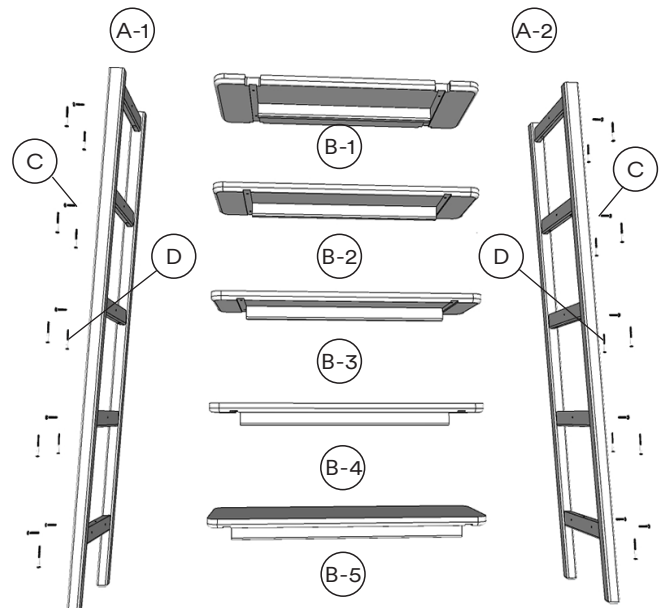
or using our chat on [www.masayacompany.com](http://www.masayacompany.com)

30 Min 2 people Screwdriver

ID	Description	Qty	Reference
(A)	Wood Legs	2	
(B-1)	Shelf Top	1	
(B-2)	Shelf 2	1	
(B-3)	Shelf 3	1	
(B-4)	Shelf 4	1	
(B-5)	Shelf 5	1	
(C)	Phillips Drive Round Head x 1 - 1/2"	12	
(D)	Decorative Head Bolt x 2 - 3/4"	18	
(E)	Allen Hex Key	1	

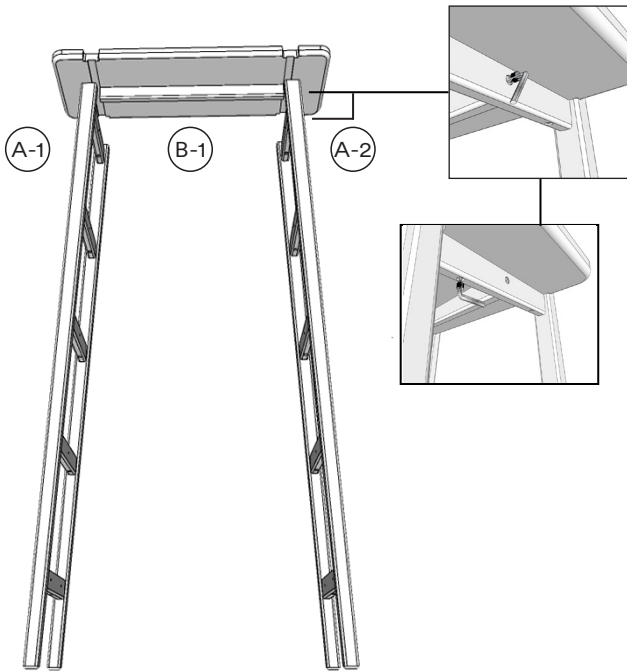
**Step 1**

Lay out Pieces A and B on the floor, in their corresponding order. Place pieces on their sides, in order to insert shelves (A).



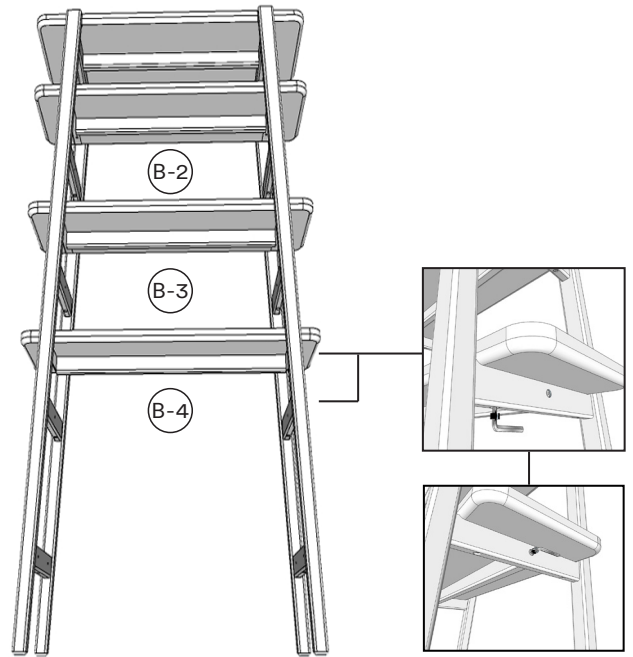
## Step 2

Screw top shelf (Piece B-1) into the wood legs (Piece A-1 and A-2).



## Step 3

Screw shelves (Piece B-2, B-3 and B-4) into the wood legs (Pieces A-1 and A-2)..



## Step 4

Finally, screw the last shelf (Piece B-5) into place.

