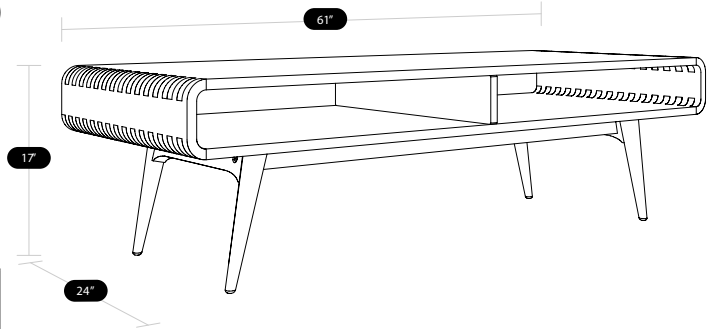


General Information

Thank you for purchasing our product! Please refer to this manual to assemble your product and make sure all pieces are complete before starting. Keep for future reference. When assembling, we recommend placing all wooden parts on a soft, clean and flat surface.

If you need any assistance during the assembly process, do not hesitate to contact our Customer Service Team at (615) 953 - 9373, email support@masayacompany.com or via live chat at www.masayacompany.com



Component Inventory

ID	Description	Qty	Image Ref
A	Table Top	1	
B	Side Legs	2	
C	Decorative Head Bolt x 3 -1/2"	4	
D	Allen Hex Key	1	



15 Min



1



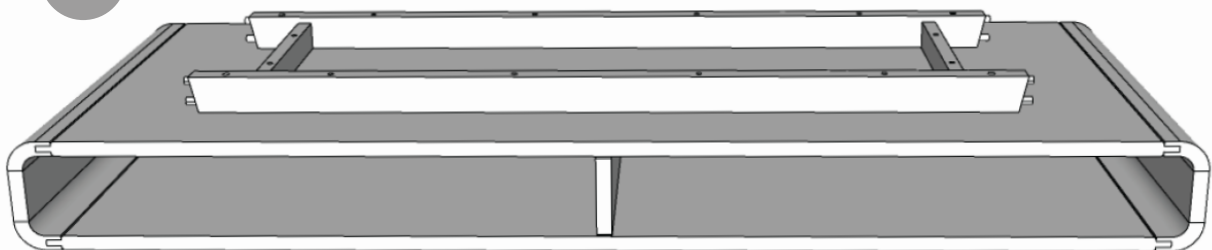
Very Easy



Allen Hex Key

Step 1

Place the top face down on an elevated and soft surface.



Step 2

Screw legs into the table top base.

