



Thank you for supporting our mission to create a greener planet through reforestation. Before starting, please make sure all pieces listed in this manual are complete. And save this manual for future reference.

When assembling, we recommend placing all wooden parts on a soft, clean and flat surface to avoid scratches and damage while assembling your brand new MasayaCo piece.

**Need any assistance?**

Feel free to contact our Customer Service Team.

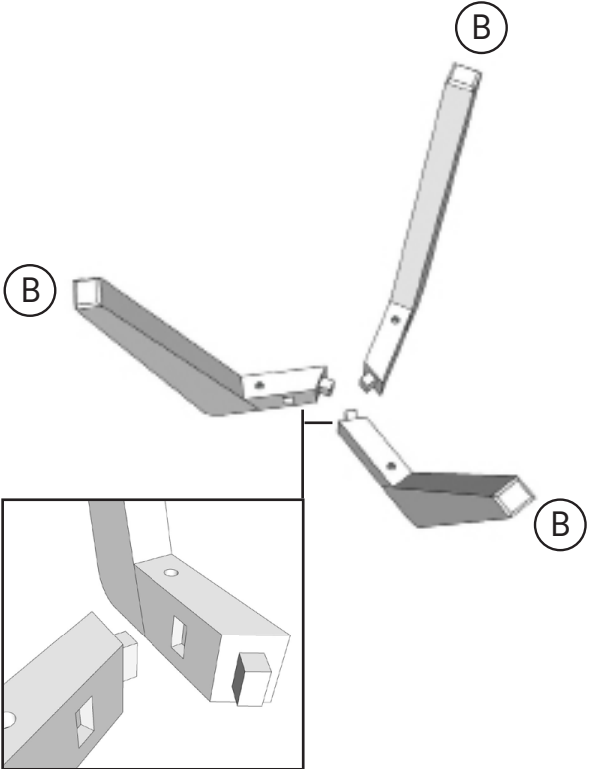
(615) 953 - 9373,  
[customerservice@masayacompany.com](mailto:customerservice@masayacompany.com)  
 or using our chat on [www.masayacompany.com](http://www.masayacompany.com)

⌚ 15 Min    👤 1 person    🔩 Screwdriver

ID	Description	Qty	Reference
(A)	Table Top	1	
(B)	Solid Wood Legs	3	
(C)	Phillips Drive Round Head x 2"	3	

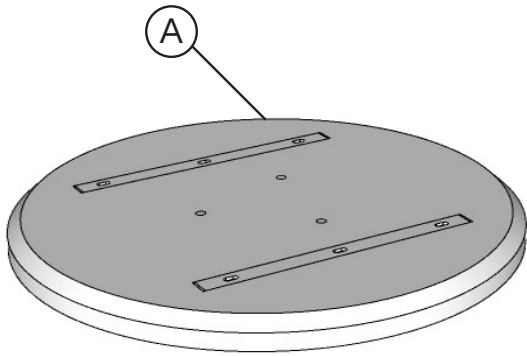
**Step 1**

Connect the 3 leg pieces (Piece B), making sure these fit with each other.



## Step 2

Place the top (Piece A) face down on an elevated and soft surface.



## Step 3

Tighten the tree leg pieces using the hardware provided (C).

