

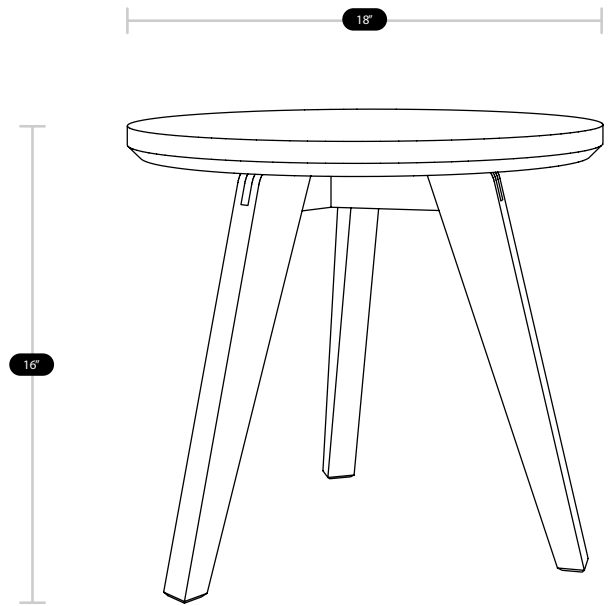
**General Information**

Thank you for purchasing our product! Please refer to this manual to assemble your product and make sure all pieces are complete before starting. Keep for future reference. When assembling, we recommend placing all wooden parts on a soft, clean and flat surface.

If you need any assistance during the assembly process, do not hesitate to contact our Customer Service Team at (615) 953 - 9373, email [support@masayacompany.com](mailto:support@masayacompany.com) or via live chat at [www.masayacompany.com](http://www.masayacompany.com)

**Component Inventory**

ID	Description	Qty	Image Ref
A	Table Top	1	
B	Solid Wood Legs	3	
C	Phillips Drive Round Head x 2"	3	



15 Min



1



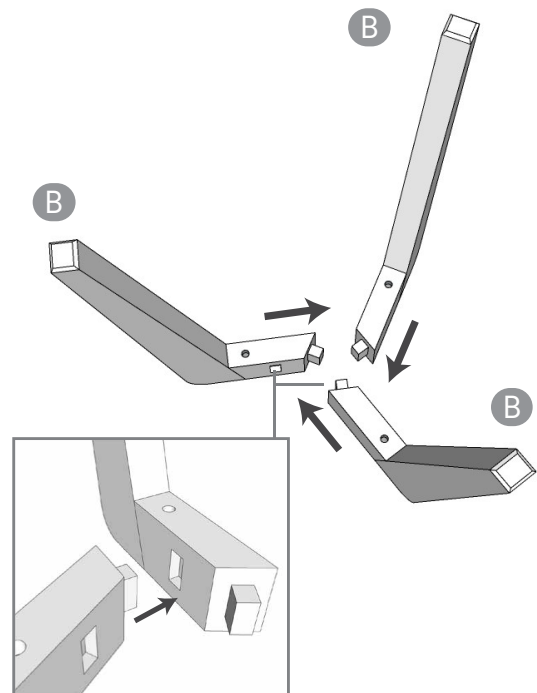
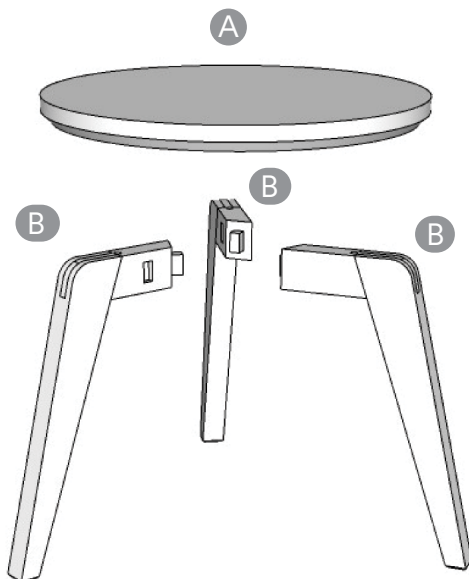
Very Easy



Screwdriver

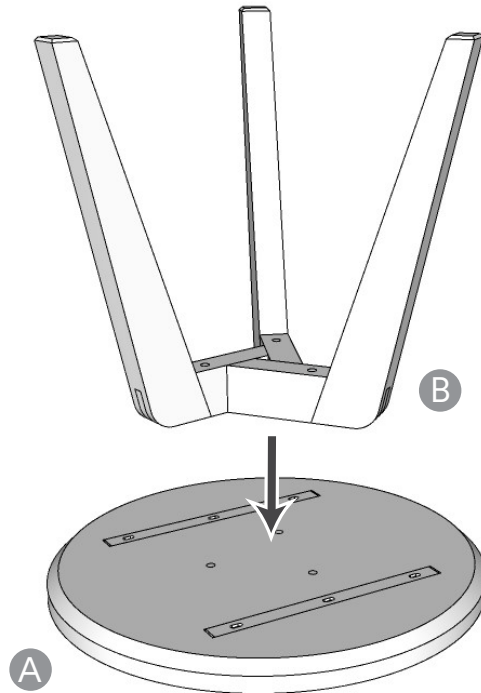
**Step 1**

Connect the 3 leg pieces, making sure these fit with each other.



**Step 2**

Place the top face down on an elevated and soft surface.



**Step 3**

Screw legs into the table top base.

