

**General Information**

Thank you for purchasing our product! Please refer to this assembly manual and make sure all pieces are complete before starting. Keep for future reference. When assembling, we recommend placing all wooden parts on a soft, clean and flat surface.

If you need any assistance during the assembly process, please contact our Customer Service Team at (615) 953 - 9373, email [support@masaya.com](mailto:support@masaya.com) or via live chat at [www.masayacompany.com](http://www.masayacompany.com)



**Component inventory**

| ID | Description                                 | Qty | Image |
|----|---|-----|-------|
| A  | Table Top                                   | 1   |       |
| B1 | Solid Wood Legs                             | 1   |       |
| B2 | Solid Wood Legs                             | 1   |       |
| C  | Phillips Drive Round Head MS #6-32 x 2 1/2" | 4   |       |
| D  | Phillips Drive Round Head MS #6-32 x 3"     | 4   |       |



15 Min



1



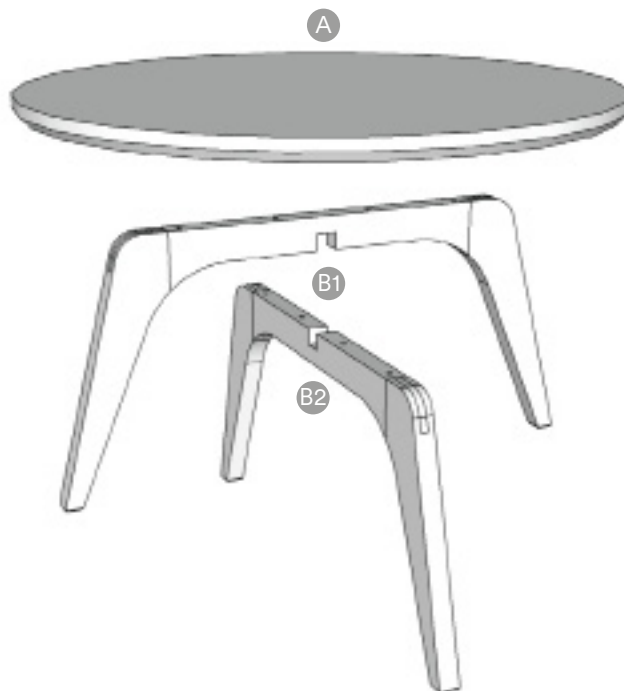
Very Easy



Screwdriver

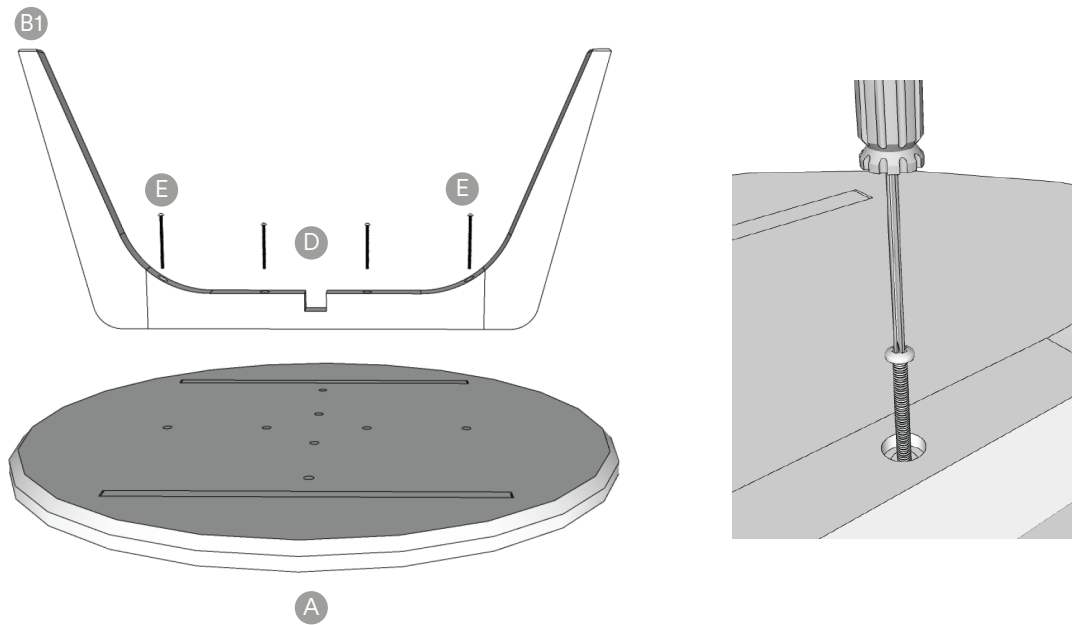
**Step 1**

Lay out pieces on the floor.



**Step 2**

Place the top face down on an elevated and soft surface. Screw leg B-1 into the table top base using a screwdriver.



**Step 3**

Finally, connect the leg pieces, making sure these fit with each other and screw leg B-2 in place.

