



Thank you for supporting our mission to create a greener planet through reforestation. Before starting, please make sure all pieces listed in this manual are complete. And save this manual for future reference.

When assembling, we recommend placing all wooden parts on a soft, clean and flat surface to avoid scratches and damage while assembling your brand new MasayaCo piece.

Need any assistance?

Feel free to contact our Customer Service Team.

(615) 953 - 9373,

customerservice@masayacompany.com

or using our chat on www.masayacompany.com

⌚ 15 Min

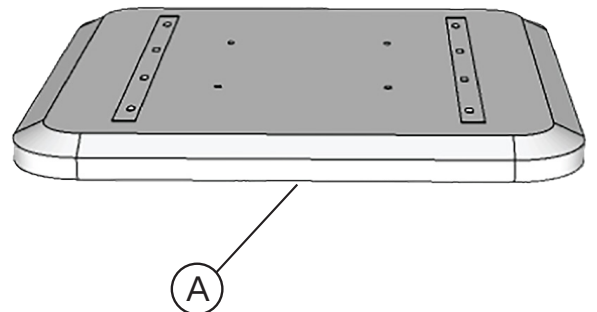
👤 1 person

🔩 Screwdriver

ID	Description	Qty	Reference
Ⓐ	Table Top	1	
Ⓑ-1	Solid Wood Legs 1	1	
Ⓑ-2	Solid Wood Legs 2	1	
Ⓒ	Phillips Drive Round Head MS #6-32 x 2-1/2".	4	

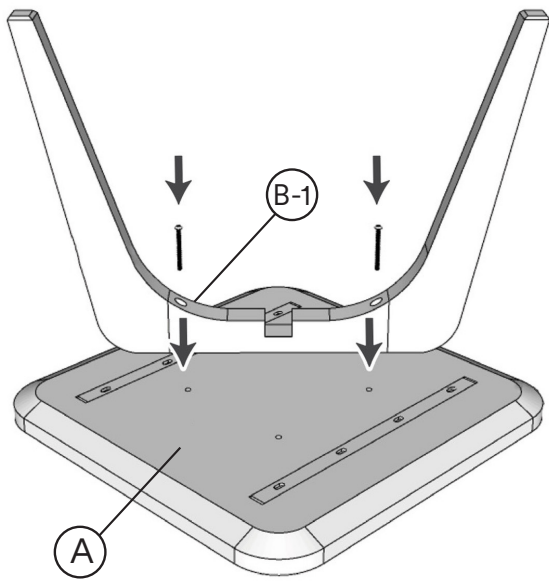
Step 1

Place the top (Piece A) face down on an elevated and soft surface.



Step 2

Connect the leg pieces (Piece B1 & Piece B2), making sure these fit with each other.



Step 3

Screw legs into the table top base.

