

### General Information

Thank you for purchasing our product! Please refer to this assembly manual and make sure all pieces are complete before starting. Keep for future reference. When assembling, we recommend placing all wooden parts on a soft, clean and flat surface.

If you need any assistance during the assembly process, please contact our Customer Service Team at (615) 953 - 9373, email [support@masaya.com](mailto:support@masaya.com) or via live chat at [www.masayacompany.com](http://www.masayacompany.com)



### Component inventory

ID	Description	Qty	Image
A	Top Shelf	1	
B	Shelf	2	
C	Wood Legs	4	
D	Decorative Head Bolt x 3 1/2"	8	
E	Allen Hex Key	1	



20 Min



1



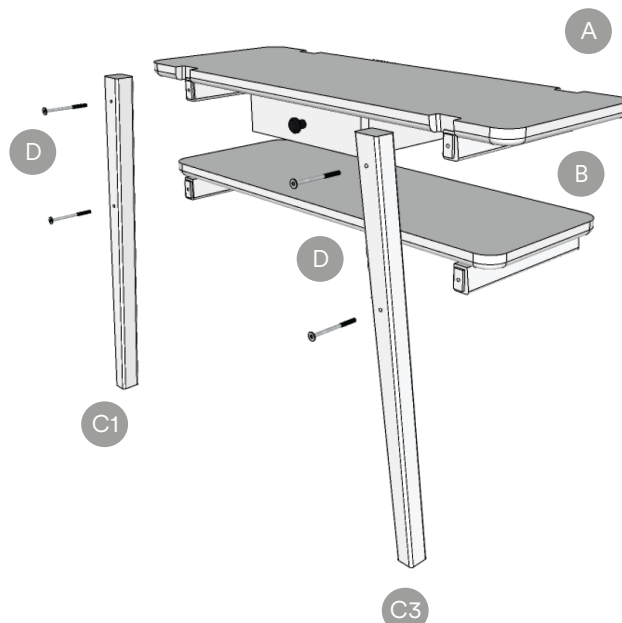
Easy



Allen Hex Key

### Step 1

Place the table top face down on an elevated and soft surface. Screw the legs in place using the Allen Hex Key (C1 & C3).



Step 2

Fixed the shelf in place. Lastly, screw legs C2 and C4 in place with the remaining screws.

