



Thank you for supporting our mission to create a greener planet through reforestation. Before starting, please make sure all pieces listed in this manual are complete. And save this manual for future reference.

When assembling, we recommend placing all wooden parts on a soft, clean and flat surface to avoid scratches and damage while assembling your brand new MasayaCo piece.

Need any assistance?

Feel free to contact our Customer Service Team.

(615) 953 - 9373,

customerservice@masayacompany.com

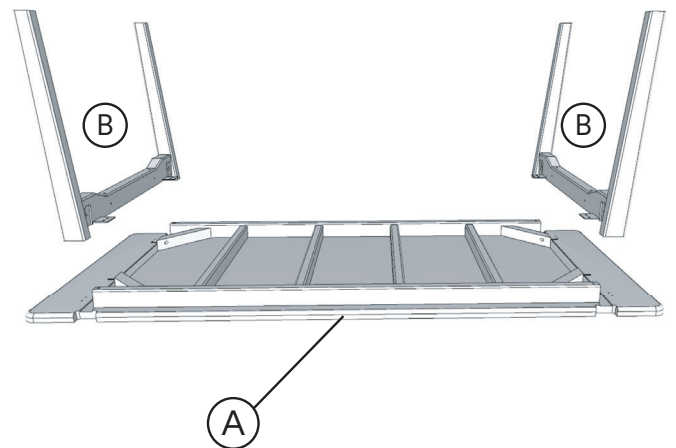
or using our chat on www.masayacompany.com

⌚ 20 Min 👤 2 people 🔩 Screwdriver

ID	Description	Qty	Reference
(A)	Table Top	1	
(B)	Legs	2	
(C)	Phillips Drive Round Head MS #6-32 x 2"	4	
(D)	Decorative Head Bolt x 3/4"	16	
(E)	Decorative Head Bolt x 3 1/2"	4	
(F)	Allex Hex Key	1	

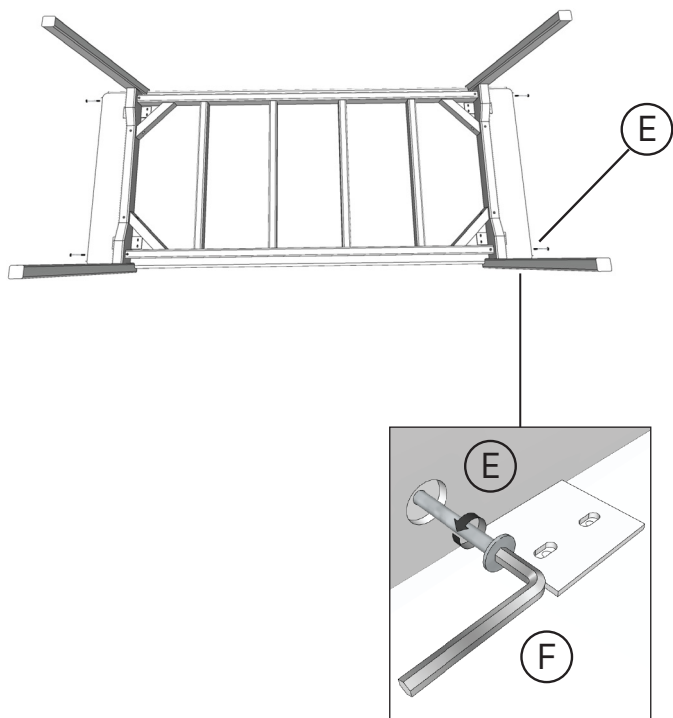
Step 1

Place the table top (Piece A) face down on an elevated and soft surface.



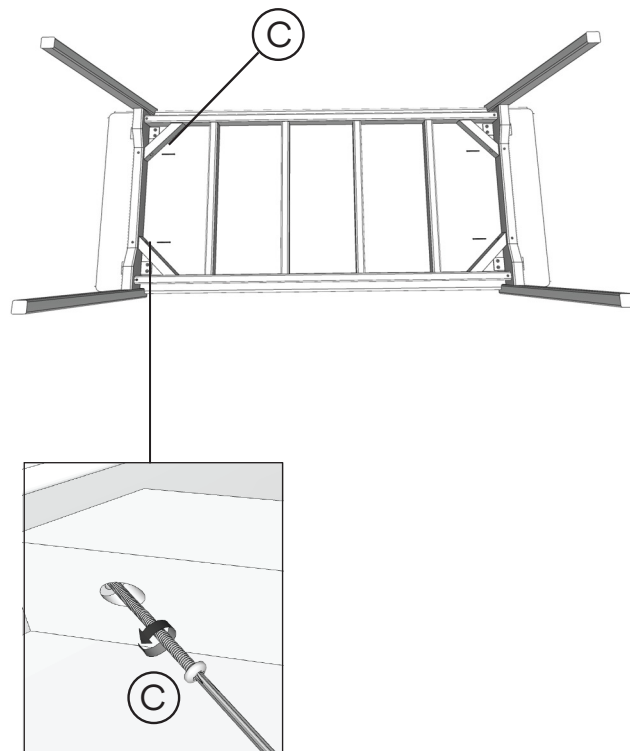
Step 2

Place the legs (Piece B) on the table top (Piece A) and attach it by using Pieces E. To screw this in place please use the Allen Hex Key included.



Step 3

Secure the legs (Piece B) in place by screwing Pieces C with a screwdriver.



Step 4

Lastly screw Pieces D with the Allen Hex Key.

