

8

7

6

5

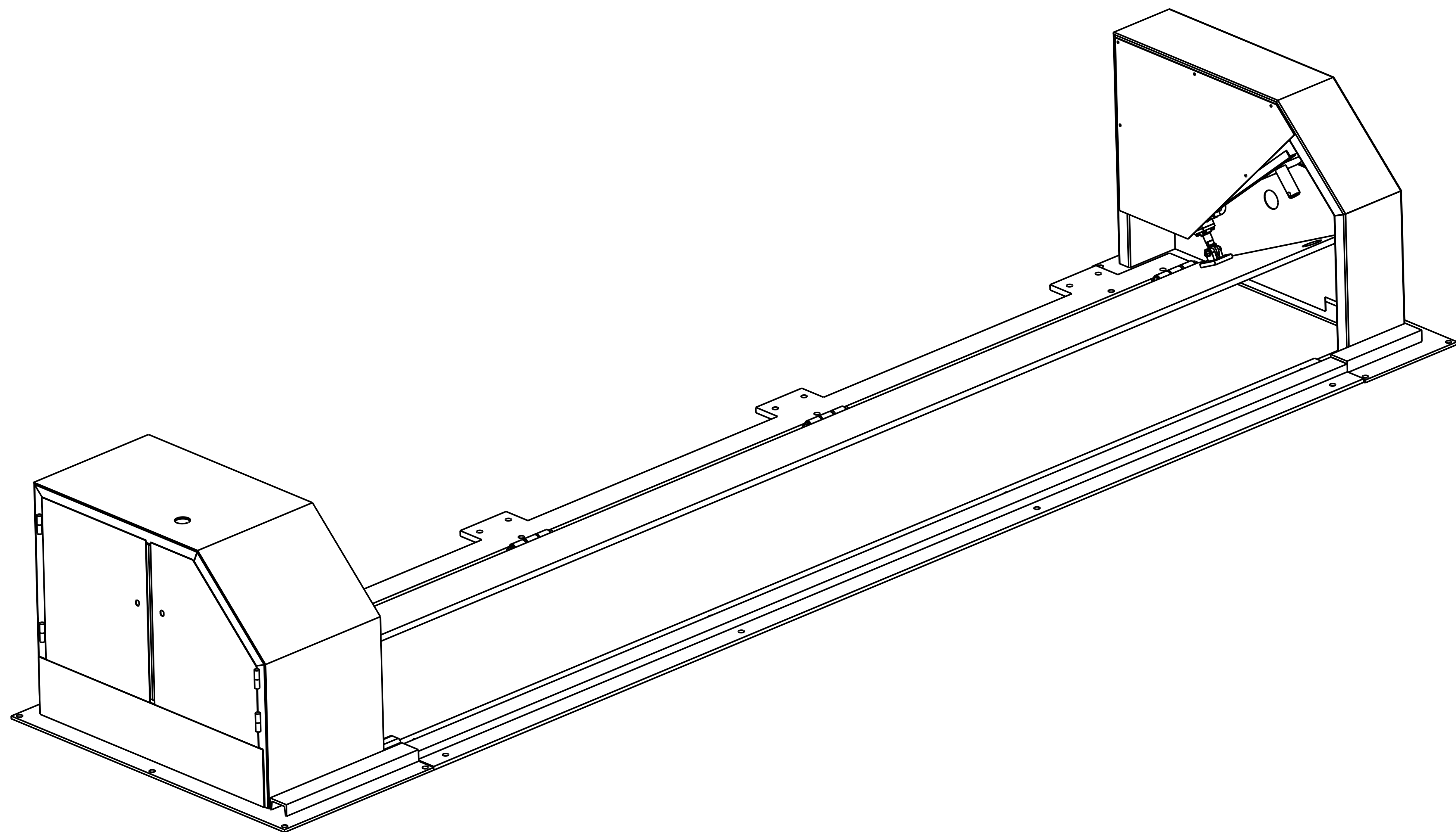
4

3

2

1

REVISIONS				
JOB NUM	REV	DESCRIPTION	DATE	CHKR
	A	DRAWING RELEASE	16MAY13	T.F.



1

36	4	HW1/2-13 BOLT	SOCKET HEAD BOLT 1/2"-13 X 7" LG
35	4	HYD-PIN	SHOULDER BOLT
34	2	CBG-LIMIT SWITCH	PROXIMITY SENSOR
33	2	HYD-TEE-M-M-M	MJIC TEE
32	6	HYD-ADAPTER-CYL	MJIC FLARE FITTING - MJIC/ORB
31	1	PBG-LIMIT-SWITCH-BRACKET	LIMIT SWITCH BRACKET
30	1	EC-4X4 COVER	JUNCTION BOX COVER
29	1	EC-4X4 BOX	JUNCTION BOX
28	2	HYD-ADAPTER-FCV	JIC37 FLARE FITTING - MJIC/MPT
27	12	HY-HOSE-END -4	FJIC/HOSE END
26	12	HINGE-BEARING	COPPER SLEEVE
25	1	PBG-PLATE	BARRIER PLATE
24	12	PBG-HINGE	BAR 1.25 OD
23	16	HW-9/16 WASHER	9/16" WASHER
22	8	HW-3/8-16 BOLT	3/8"-16 X 3.00 HEX HEAD BOLT
21	12	HW-3/8 NUT	3/8"-16 LOCKNUT
20	12	HW-3/8 WASHER	3/8" WASHER
19	4	HW-1/2-13 NUT	1/2"-13 LOCK NUT
18	1	EC-20A SWITCH	TOGGLE SWITCH
17	1	EC-15A OUTLET	DUPLEX RECEPTACLE
15	1	EC-IEC1006	CONTROLLER BOX, NEMA 1 ENCLOSURE
14	4	HYD-CLVS	CYLINDER CLEVIS
13	2	HYD-CYL1000	HYDRAULIC CYLINDER
12	1	HYD-FCV	FLOW CONTROL VALVE
11	1	HYD-DCV	DIRECTIONAL CONTROL VALVE
10	1	HYD-RES	HYDRAULIC RESERVOIR
9	1	PBG-PUMP-MOTOR	HYDRAULIC PUMP
8	1	PBG-DR-L2	DOOR ASSY - L2
7	1	PBG-DR-L1	DOOR ASSY - L1
6	3	PBG-GUIDE	PLATE GUIDE
5	2	PBG-HINGE-PLATE	HINGE PLATE
4	1	PBG-PLATE-ASSY	PLATE BARRIER
3	1	IDLE SIDE POST L/H	WELDMENT ASSY
2	1	PBG-CS-L	CONTROL SIDE POST L/H
1	1	PBG	PLATE BARRIER GATE

SHT	ITEM NO	QTY REQ	DESCRIPTION	NOMENCLATURE
SPIKE SYSTEMS			PLATE BARRIER GATE	
FACILITY				
<small>THIS DOCUMENT IS THE PROPERTY OF SPIKE SYSTEMS AND MUST BE ACCURATE FOR INFORMATION HEREIN IS CONFIDENTIAL. DO NOT REPRODUCE IT REVEAL IT TO UNAUTHORIZED PERSONS OR SEND IT OUTSIDE SPIKE SYSTEMS WITHOUT PROPER AUTHORIZATION.</small>		SCALE <b>1/40 &amp; NOTED</b>	DO NOT SCALE PRINT	DRAFTER T. FLECKENSTEIN
<small>UNSPECIFIED DRAWING PRACTICES PER ASME Y14.5M-1994</small>		<small>UNLESS OTHERWISE SPECIFIED ALL DIMENSIONS ARE IN INCHES</small>		CHECKER
<small>THIRD ANGLE PROJECTION</small> 		STANDARD TOLERANCES PER .XX ± .030 .XXX ± .010	SIZE <b>D</b>	APPROVED
<small>ANGLES ± 1°00'</small>			DRAWING PART NUMBER <b>PBG-100-L/H</b>	REV <b>A</b>
				SHEET 1 OF 6

8

7

6

5

4

3

2

1

PRO ENGINEER

8

7

6

5

4

3

2

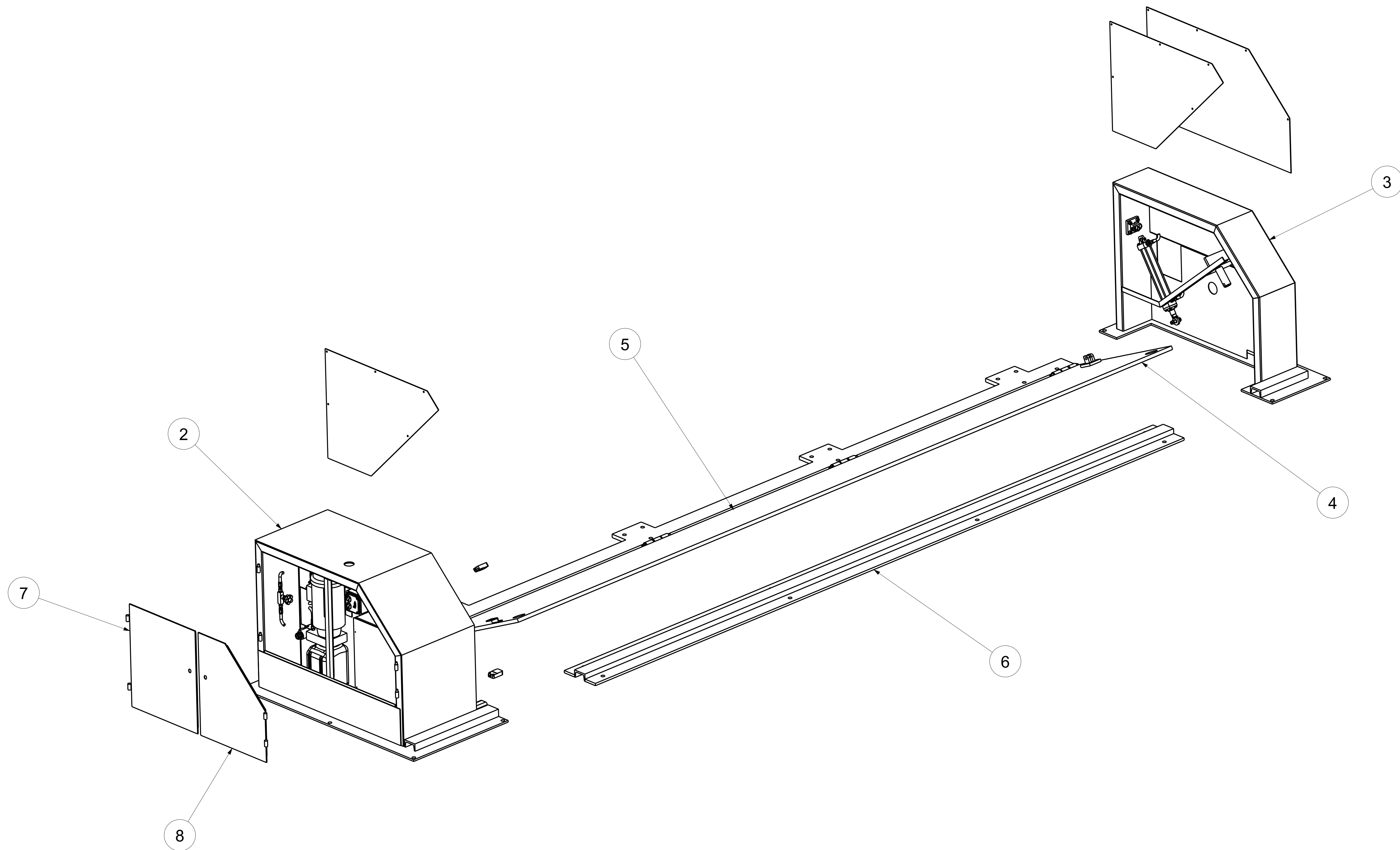
SEE SHEET 1 FOR REVISIONS

D

C

B

A



SIZE	DRAWING/PART NUMBER	REV	SHEET
D	PBG-100-L/H	A	2 OF 6

8

7

6

5

4

3

2

1

8

7

6

5

4

3

2

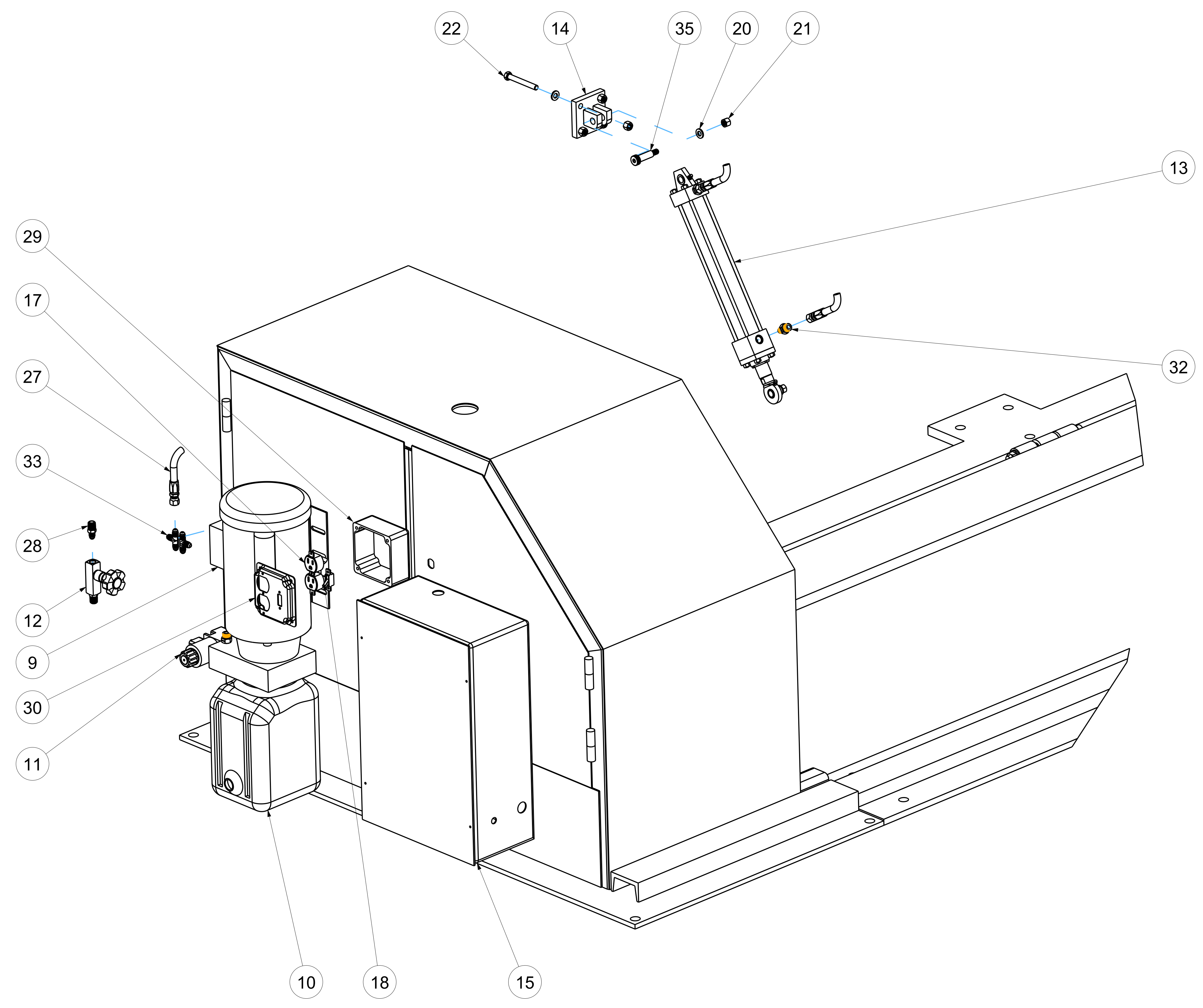
SEE SHEET 1 FOR REVISIONS

D

C

B

A



SIZE	DRAWING/PART NUMBER	REV	SHEET
D	PBG-100-L/H	A	3 OF 6

8

7

6

5

4

3

2



8

7

6

5

4

3

2

SEE SHEET 1 FOR REVISIONS

D

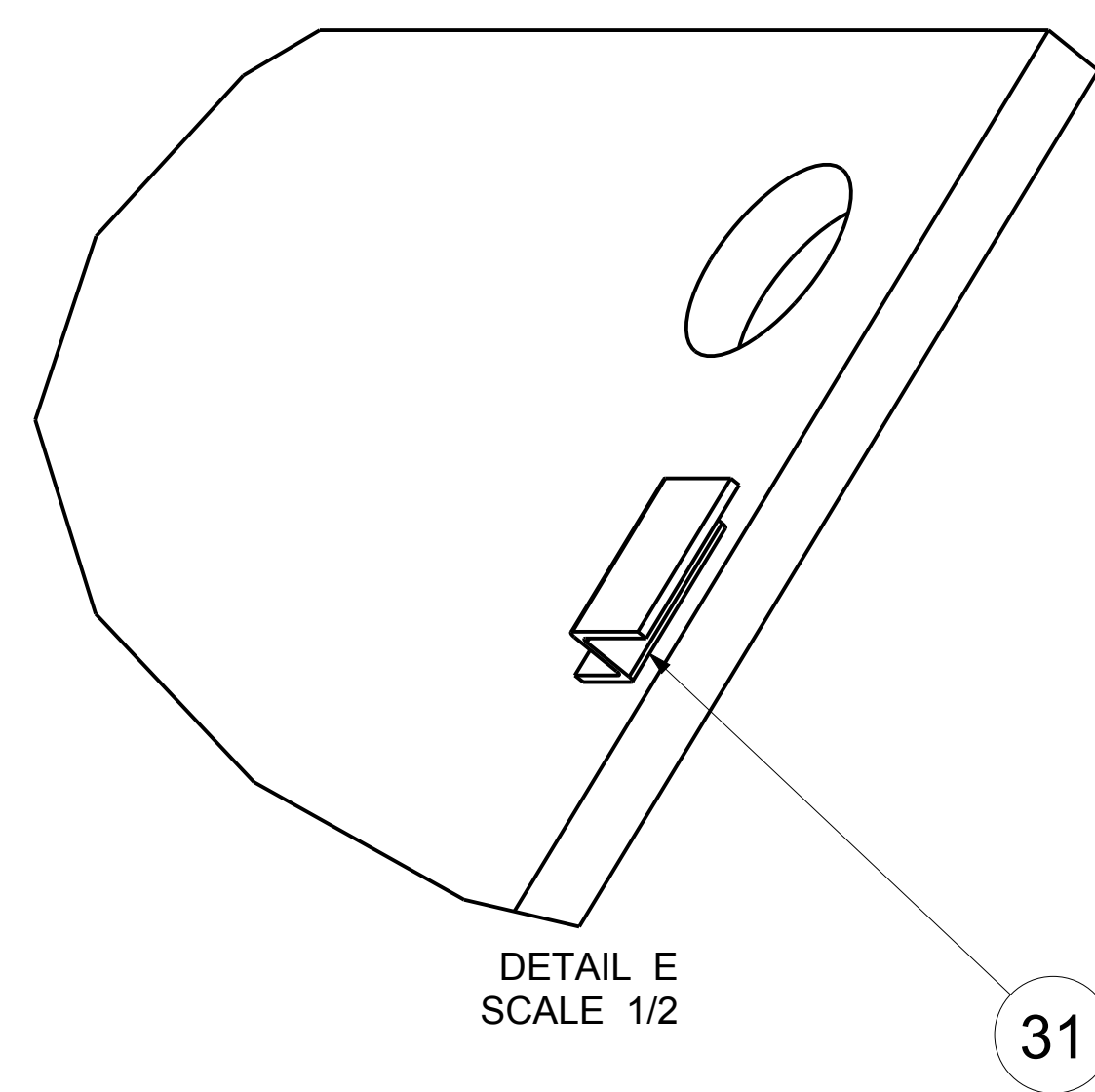
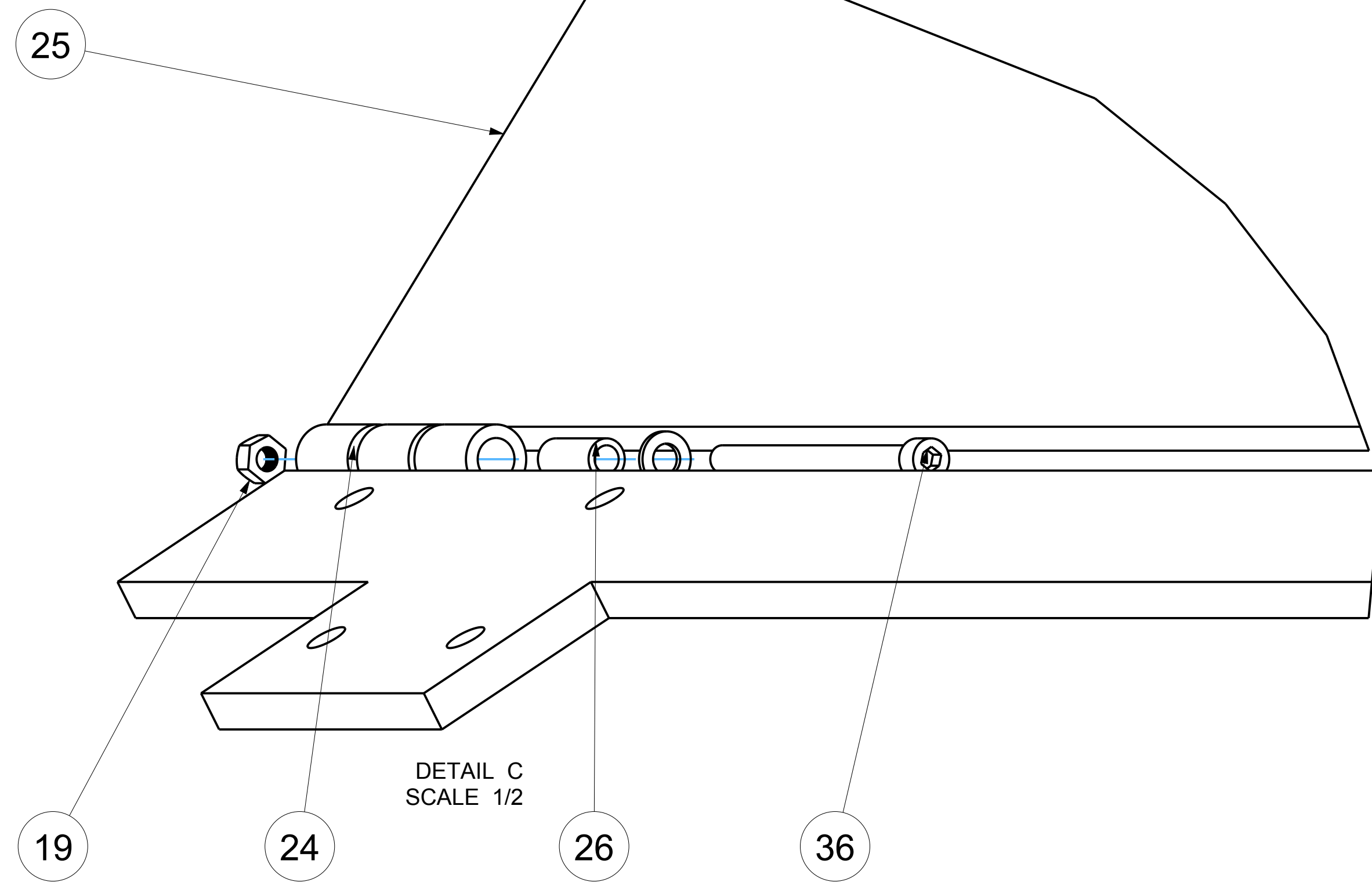
C

B

A

SEE DETAIL C

SEE DETAIL E



SIZE	DRAWING/PART NUMBER	REV	SHEET
D	PBG-100-L/H	A	5 OF 6

8

7

6

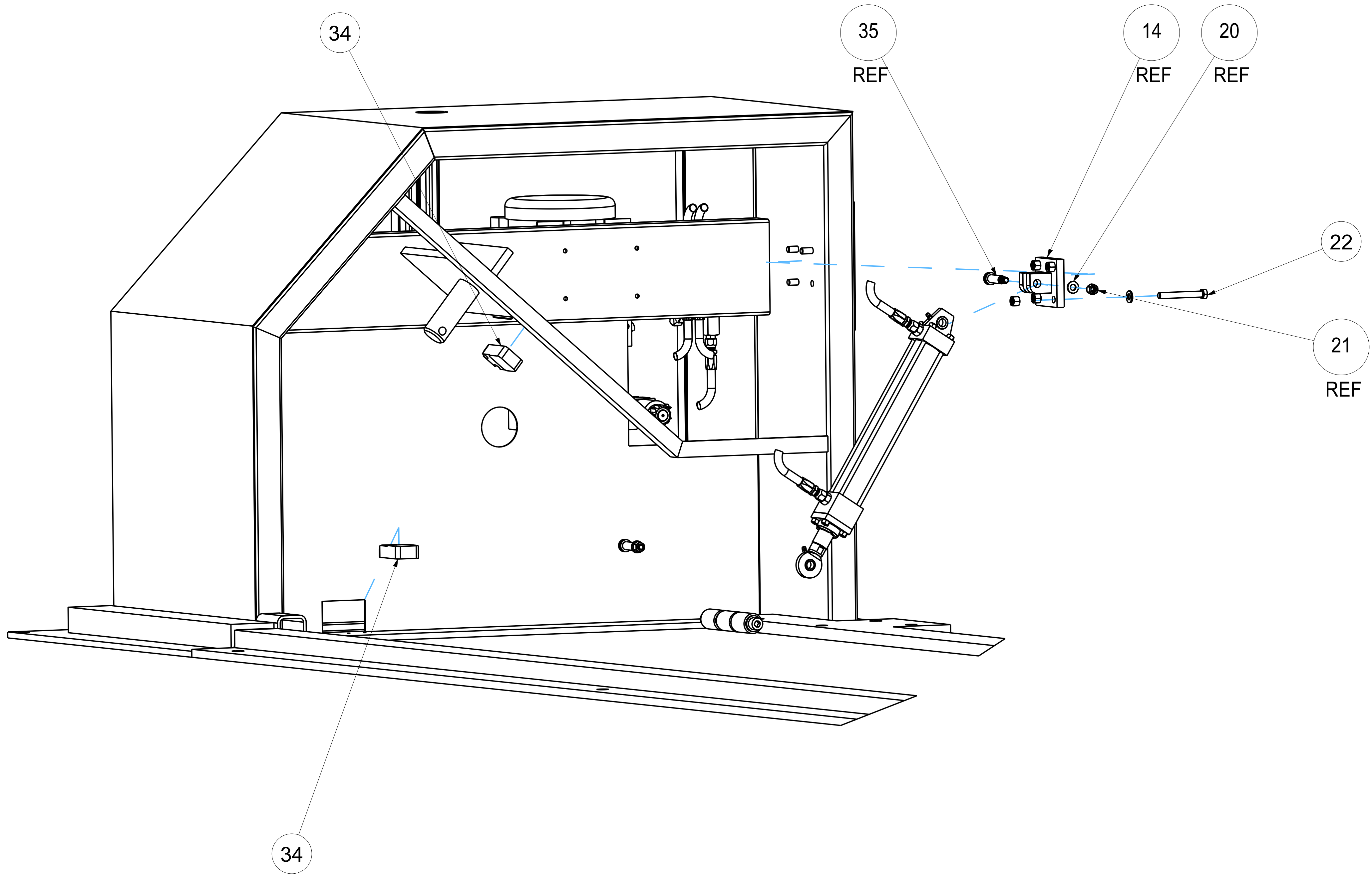
5

4

3

2





SIZE	DRAWING/PART NUMBER	REV	SHEET
D	PBG-100-L/H	A	6 OF 6