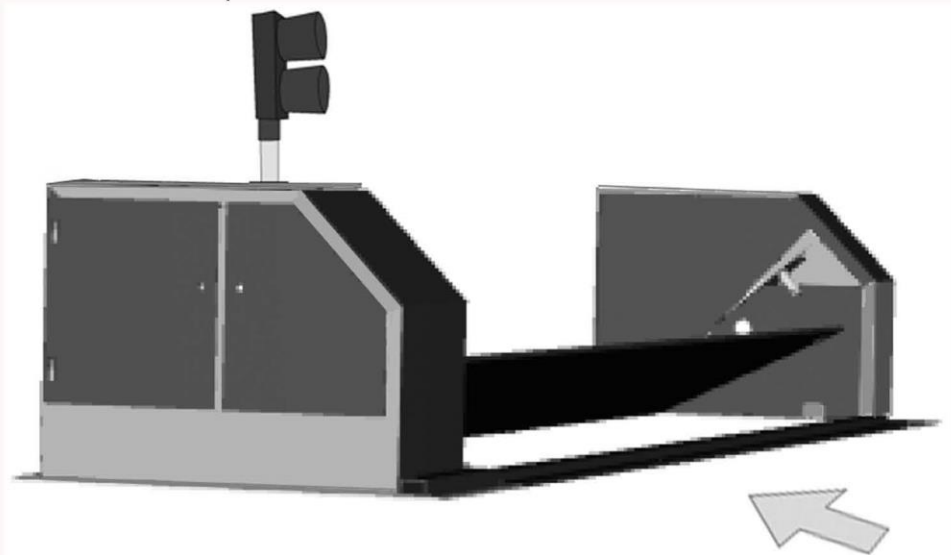




PBG-100/-120/-140/-160 Product Family Plate Barrier Gate

The PBG Family is perhaps the most durable and versatile system available to control traffic in and out of secure checkpoints. One product family accommodates clear widths ranging from 10' to 25', based simply on configuration. System weights range from 1510 to 3020 pounds, making the massive units a substantial visual deterrent. At the core of the system is an advanced PLC controller that by standard is programmed to control all standard system features, and can be customized to incorporate virtually any client requested options. Common system uses include: revenue control, rental car agencies, secure checkpoints, etc. The system can be flush mounted on flat surfaces or angled surfaces such as ramps.



- Municipal
- Commercial
- Government

Operating Time:

- Plate raises and lowers hydraulically in 3 seconds

Power Requirements:

- 1 ½ HP motor, 110V single phase 17A
- Unit can be built to meet any voltage, frequency and phase requirement.

Finish:

- Powder Coat: available in Red or Yellow

System Assembly and Control Circuit

- Each system is completely pre-wired and tested at the factory. Physical installation only requires connection of AC power and the low voltage control wire. Controls and wiring can be configured to allow remote open and close from multiple locations, radio open or close, card reader, key switch or vehicle detector.

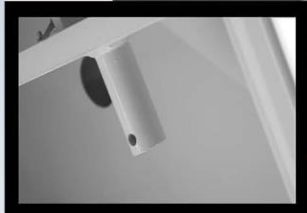
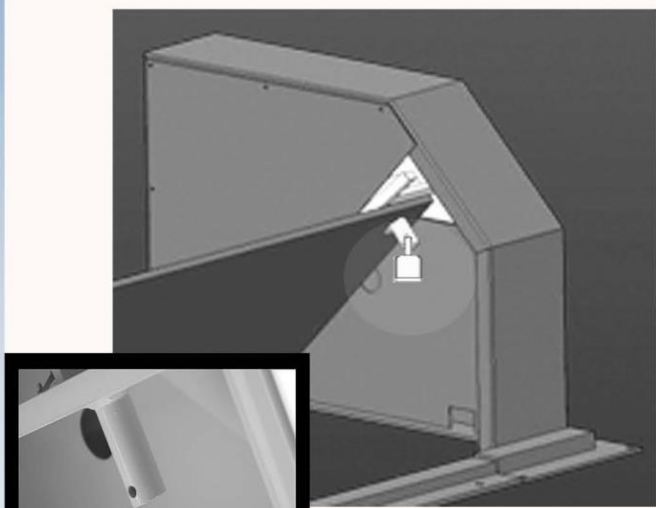
Inductive Vehicle Control Loops

- Can be imbedded before and or after the PBG system for various uses.

Traffic Lights and Safety Signs

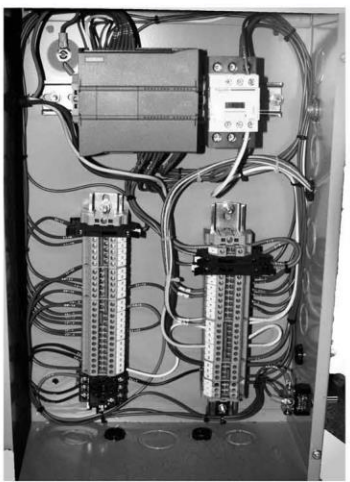
- Red and Yellow traffic signals are available. The yellow lights indicate that the barrier is down, the red indicates that it is not safe to drive forward. A wide range of reflective and fluorescent safety signs are available.

Turn-key solutions to control traffic patterns and parking enforcement



PBG Locking Mechanism

The Control Cabinet is professionally designed, wired, and assembled.

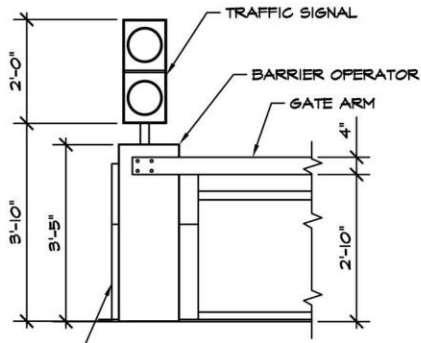


The ultra durable Plate Barrier opens and closes in a mere 3 seconds based on input from a guard shack, card reader or other method.



800•642•7289

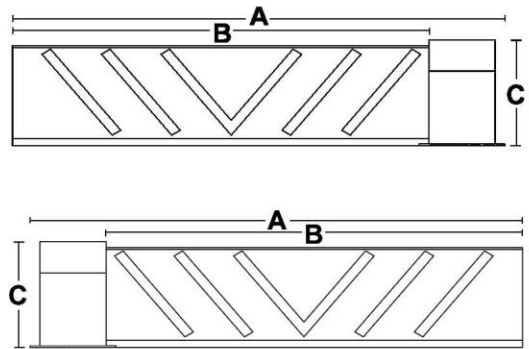
Copyright 2016



CRASH GATE (BEHIND)

The figure above shows a Left Hand Control system with a traffic signal and OEM gate arm in front of the Spike System.

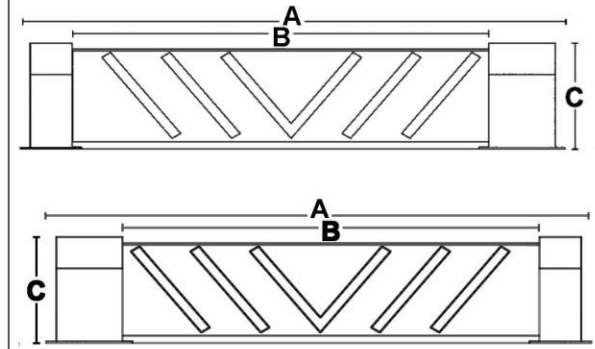
Single Buttress Configuration (PBG-100 ONLY)



Single Buttress Systems (L OR RH)

System	Total Width (A)	Clear Width (B)	Height (C)
PBG-100	12' 5"	10' 6"	32"

Double Buttress Configuration (PBG-100/-120/-140/-160)

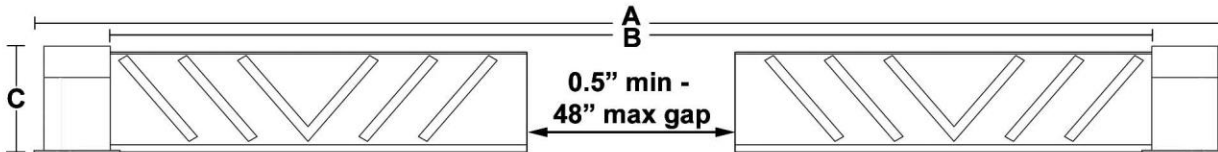
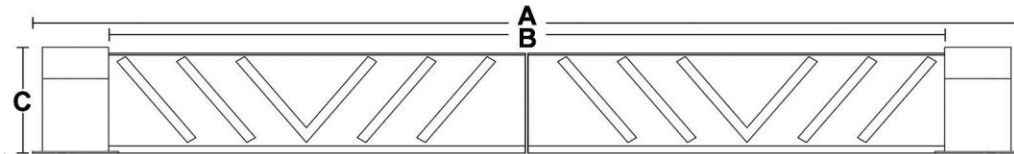


Double Buttress Systems (R or LH)

System	Total Width (A)	Clear Width (B)	Height (C)
PBG-100	13'	10'	32"
PBG-120	15'	12'	32"
PBG-140	17'	14'	32"
PBG-160	19'	16'	32"

Plate and Total Weight by System

System	Buttress	Control Cabinet	Plate Weight	Total Weight
PBG-100	SB	R or L	1015	1510
PBG-100	DB	R or L	1015	1840
PBG-100	DB	R AND L	2030	3020
PBG-120	DB	R or L	1200	2025
PBG-140	DB	R or L	1385	2210
PBG-160	DB	R or L	1569	2394



FOR MORE INFORMATION:
Gort Industries / Spike Systems

1-800-642-7289

www.spikesystems.com