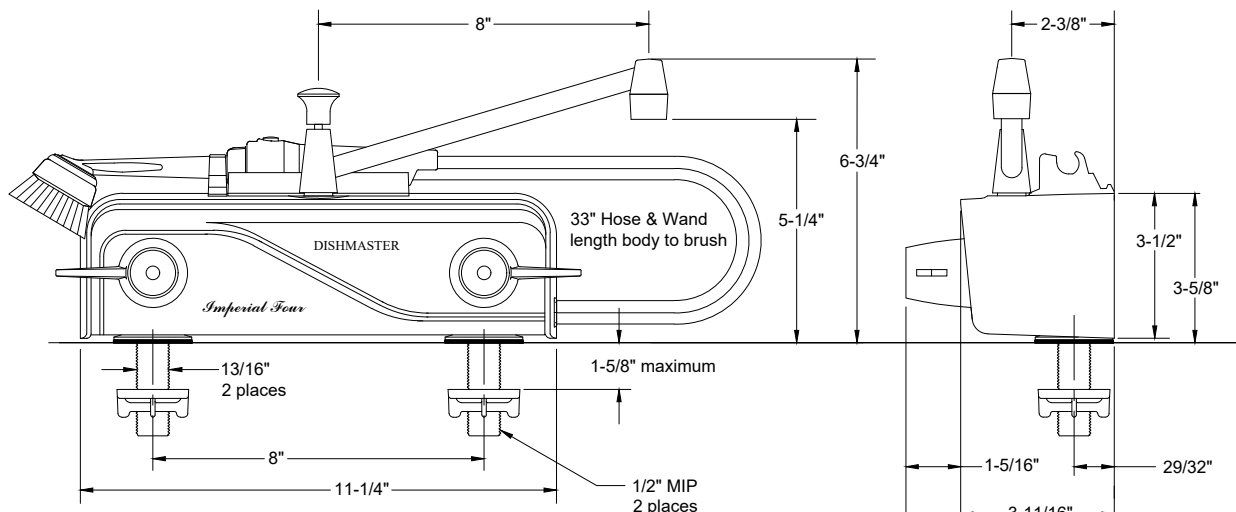
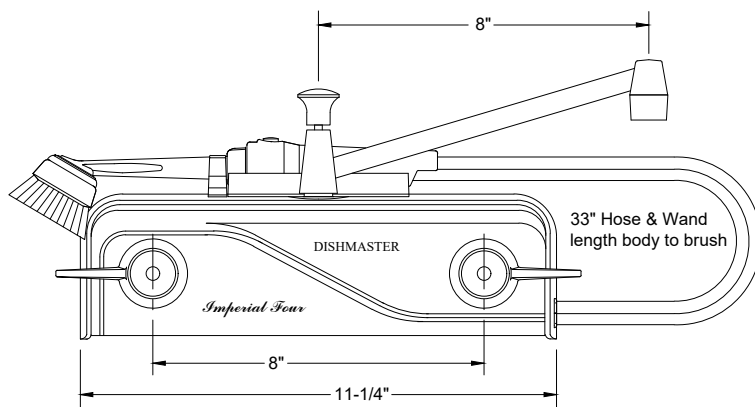
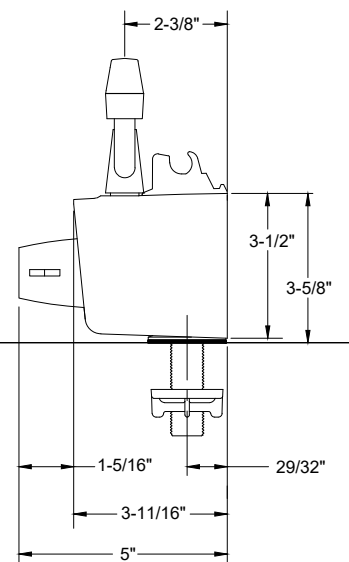


M76 Imperial Four



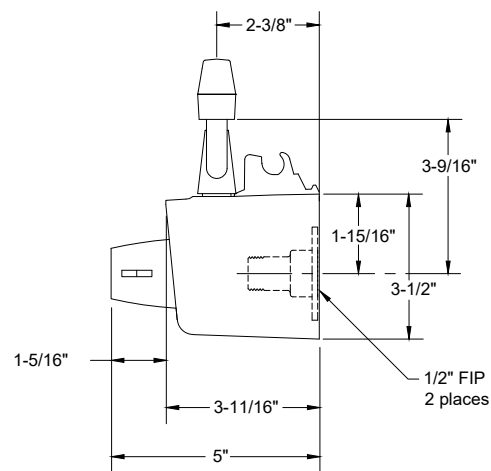
SINK OR COUNTERTOP INSTALLATION

2 holes on 8" centers required
Fits all standard 3 and 4-hole sinks



WALL INSTALLATION

1/2" MIP on 8" centers required
Included wall unions allow for $\pm 5/32$ " adjustment



- Convenient Dishmaster Spray Wand
- Press the button for instant cleansing suds, release for clear water rinse
- Scrape - Wash - Rinse all in one easy motion
- Brushes have built-in scraper
- Spout swivels full 360°
- 16oz Detergent Tank
- Dishmaster reduces water usage and energy consumption.
- Use only the water you really need
- Manufactured in the USA



- **Low Lead Listed**
NSF/ANSI/CAN 372-20, Drinking Water System Components
Lead Content Reduction of Lead in Drinking Water Act
California Health & Safety Code 116875 S.3874,
Reduction of Lead in Drinking Water Act
- **Title 20 Listed**
California Code of Regulations
Title 20, Sections 1601 through 1608
- **A112.18.1M**
1.75 GPM 6.6 L/min
- **A112.18.3 Backflow Prevention**
Two check valves in spout section