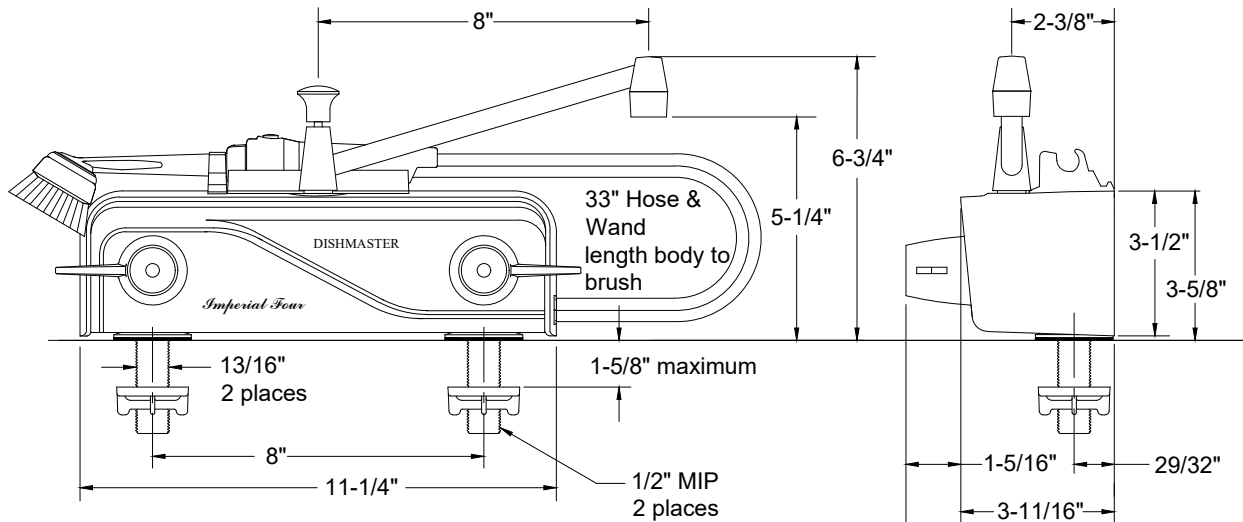
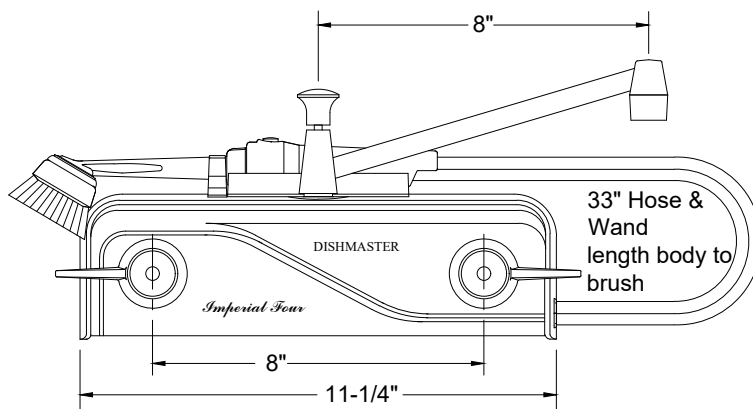


M76 Imperial Four



SINK OR COUNTERTOP INSTALLATION

2 holes on 8" centers required
Fits all standard 3 and 4-hole sinks



WALL INSTALLATION

1/2" MIP on 8" centers required
Included wall unions allow for $\pm 5/32$ " adjustment

- Convenient Dishmaster Spray Wand
- Press the button for instant cleansing suds, release for clear water rinse
- Scrape - Wash - Rinse all in one easy motion
- Brushes have built-in scraper
- Spout swivels full 360°
- 16oz Detergent Tank
- Dishmaster reduces water usage and energy consumption.
- Use only the water you really need
- Manufactured in the USA

- Low Lead Product Certification

NSF / ANSI / CAN 61: Q \leq 1

NSF / ANSI / CAN 61-2022 , Drinking Water System Components - Health Effect

NSF / ANSI / CAN 372-22, Drinking Water System Components - Lead Content Reduction of Lead in Drinking Water Act

California Health and Safety Code 116875 S.3874, Reduction of Lead in Drinking Water Act

- **Title 20 Listed** , California Code of Regulations, Title 20, Sections 1601 through 1608

- **A112.18.1M** 1.8gpm (6.8 L/min) max

- **A112.18.3 Backflow Prevention**, Two check valves in series in spout section

