



62-1-3 and 62-2-3 3 oz. Siphon Sprayers

OPERATING INSTRUCTIONS & REPLACEMENT PARTS

WARNING: Spray materials may be harmful if inhaled or allowed to come into contact with the skin or eyes. Consult the product label and Material Safety Data Sheet supplied for the spray material. Follow all Safety precautions.
CAUTION: Well Ventilated Area required to remove fumes, dust or overspray. Secure airhose to Sprayer for safety and to prevent air leaks. **Keep your 62 Sprayer clean. Maximum Air Pressure 60 P.S.I.**

INTRODUCTION:

62-Sprayers are ideal for use in art studios and hobby workshops, also for window trimmers, auto finishers, furniture finishers and general touch-up work. Department stores of every type find the 62-Sprayers excellent time savers for touch-up and color application of window displays. It's simple design makes it easy to operate, no special adjustments are needed. The 62-Sprayer sprays medium consistency lacquer, enamel, varnish stain, light oil, dye, liquid wax, automotive paint, fixative, etc. Bakers, Confectioners and Candy Makers use it to apply powder, sugar and fine granules.

NOTE: When spraying with acrylics, with any model or make airbrush or sprayer, periodic cleaning is necessary to prevent build-up.

ALWAYS follow mixing and atomizing pressure instructions listed on label of material being sprayed.

RECOMMENDED AIR PRESSURE:

Any air compressor 1/6 HP or larger is an ideal companion for the 62-Sprayer. Paasche's D200 Compressor is capable of operating this sprayer at pressures up to 24 psi.

OPERATION:

1. Before filling bottle, mix material thoroughly and strain through cheese cloth or screen to remove any lumps of material.
2. Blow out air hose before attaching to sprayer to clear hose line of foreign matter. Attach air hose to air inlet at bottom of handle.

3. Air pressure can be from 1 to 40 p.s.i., depending on type of material being sprayed.
 - a. For stipple effects use 10 to 15 p.s.i. air pressure.
 - b. For Light fluid applications (Inks, Dyes, & Watercolors) use 20 to 25 p.s.i. air pressure.
 - c. For Medium fluid applications (Varnish, Lacquers, Acrylics or Enamels) reduced to free flowing consistency use 25 to 35 p.s.i. air pressure.
 - d. For Heavier fluid (Automotive Enamels, Acrylics and Ceramic Glazes) use a Minimum of 40 p.s.i. air pressure.

CAUTION: DO NOT use Air Pressure in excess of 60 p.s.i.

4. Practice pressing thumb button valve to stop and start spraying action.
 - a. For best results nozzle should be 3 to 6 inches from the working surface.
 - b. Always keep sprayer in motion throughout entire spraying stroke to prevent dripping and sagging.
 - c. Start and stop spray before and after each stroke to prevent sags, runs and piling of material at the end of stroke.

5. When finished spraying, pour unused fluid material back into container.
 - a. Rinse 62-17P 3 oz. (89cc) Plastic Bottle and clean VF-39 Color Tube with solvent before fluid hardens.
 - b. For cleaning clogged parts, soak in solvent for a long enough period of time to unclog hardened residue.
 - c. When changing color either by using the same bottle or another bottle always clean bottle and color tube before spraying new color. Test a spray pattern on paper to clear sprayer of solvent or previously sprayed material.

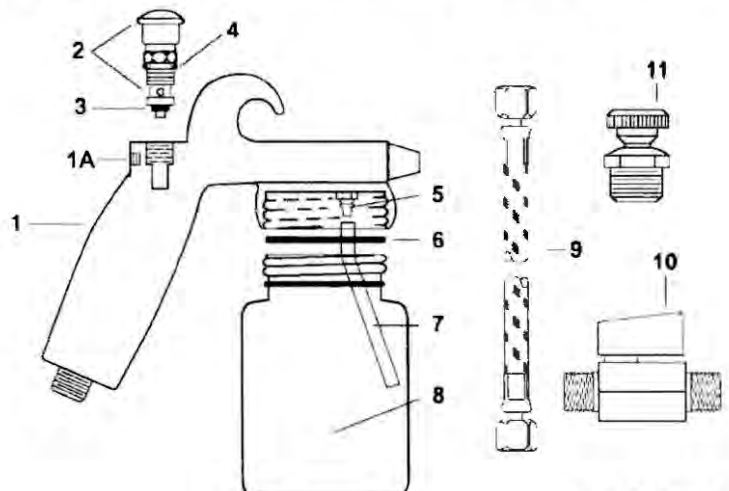
NO.	PART NO.	DESCRIPTION
1.	62-1	Sprayer Body or -
	62-2	Sprayer Body
1A.	200-11	Set Screw
2.	DA-30	Valve
3.	DA-23	Valve Seat Washer
4.	AE-6	"O" Ring
5.	200-32	Threaded Barb
6.	3-JG	Gasket
7.	VF-39	2.875" lg. Plastic Color Tube
8.	62-17P	3 oz. Plastic Bottle (89cc)

ACCESSORIES - NOT INCLUDED:

9. HL-3/16-8 Air Hose w/Couplings
• HLC-3/16-1/4 Couplings at both ends.
10. HF-1/4 Valve Assembly
11. DB-32 Tire Chuck

62-1-3 3 oz. Sprayer for light fluids and fine Atomization

62-2-3 3 oz. Sprayer for Medium to Heavy fluids and faster Atomization.



Paasche Airbrush Company
4311 North Normandy Avenue
Chicago, IL 60634-1395
Phone: 773-867-9191 • Fax: 773-867-9198
Website: paascheairbrush.com
E-Mail: info@paascheairbrush.com