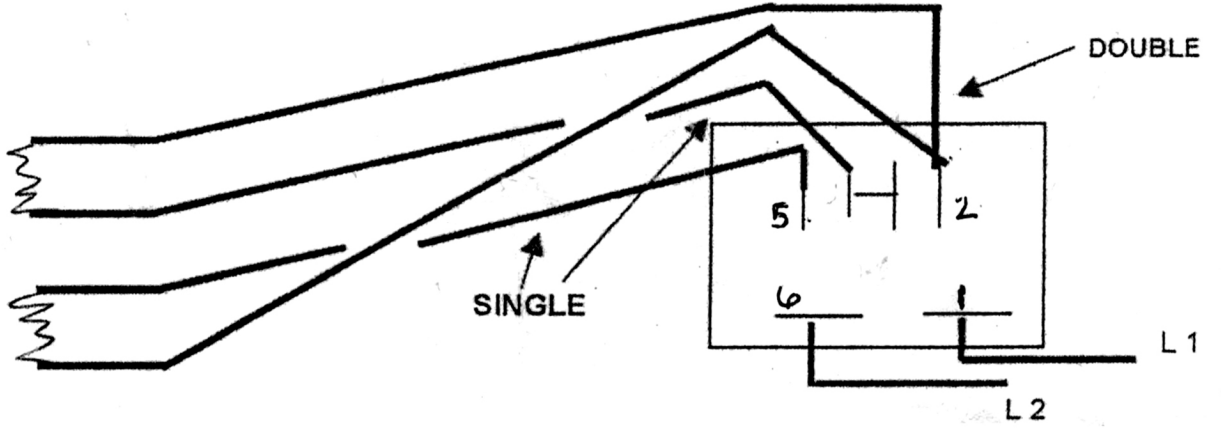


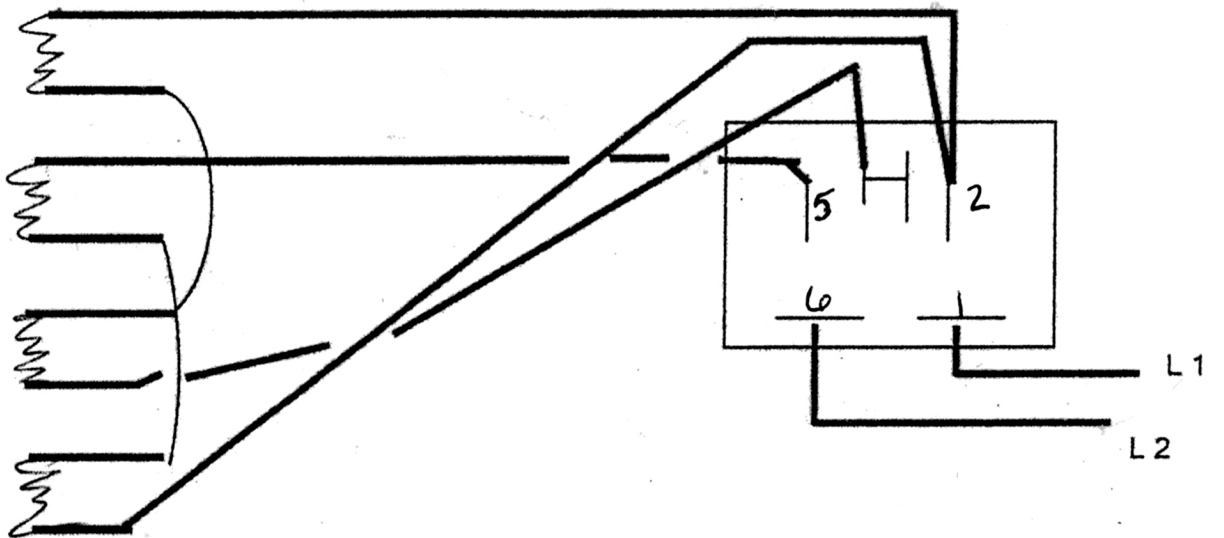


WIRING SCHEMATIC FOR 3-POSITION SWITCH

2-ELEMENT



4-ELEMENT



3 HEAT / 4 POSITION SWITCH COMPATIBILITY

OLD STYLE		OCTOBER 1980		DECEMBER 1989		JANUARY 2018
L1	=	L1	=	A		1
N	=	L2	=	B		6
1	=	C	=	4		2
2	=	2	=	either double centre		either double centre
3	=	1	=	1		5